

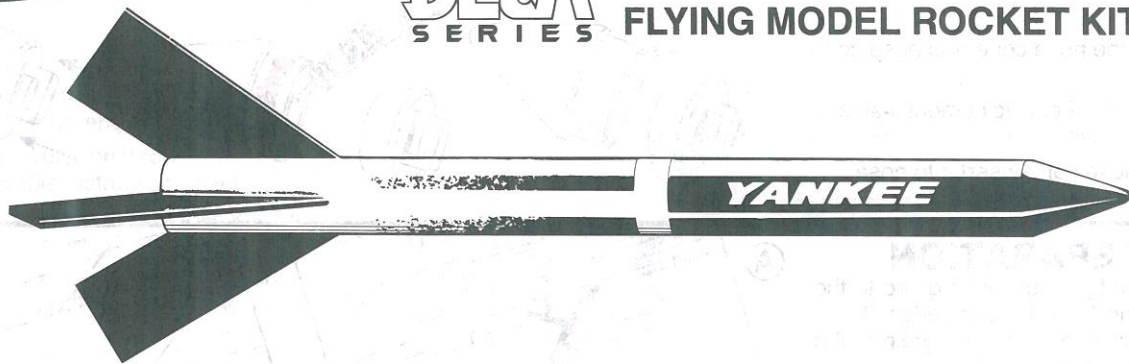


ESTES INDUSTRIES
1295 H STREET
PENROSE, CO 81240 USA

BETA
SERIES

YankeeTM

FLYING MODEL ROCKET KIT EST 1381
(8-94) 83409

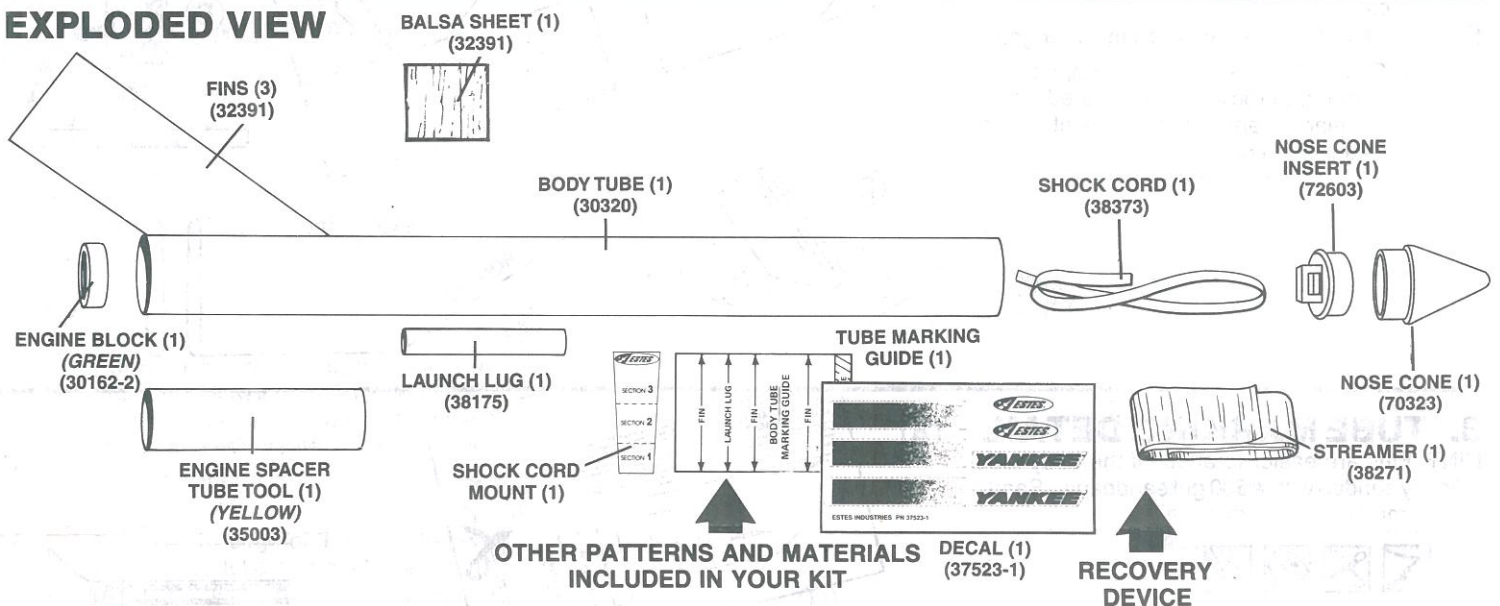


HOW TO USE THESE INSTRUCTIONS:

READ ALL INSTRUCTIONS BEFORE STARTING WORK ON THIS MODEL

- A. This rocket, incorporating basic model rocketry construction techniques, will help you in the development of your rocketry modeling skills.
- B. Read each step first and visualize the procedure thoroughly in your mind before starting construction.
- C. Lay parts out on the table in front of you. (Check inside tubes for any small parts.)
- D. Use exploded view to match all parts contained in kit.
- E. Collect all construction supplies that are not included in the kit.
- F. Tube marking guide, shock cord mount and fin pattern are printed in the instructions and will be found on page 7 in the patterns section.
- G. Test fit parts before applying any glue.
- H. Sand parts as necessary for proper fit.
- I. The construction supplies required for each step are listed at the beginning of each step.
- J. Check off each step as you complete it.

EXPLODED VIEW



EXTREMELY IMPORTANT: THE EXPLODED VIEW IS FOR REFERENCE ONLY! DO NOT USE THIS DRAWING ALONE TO ASSEMBLE THIS MODEL.

The exploded view is only intended to assist you in locating the parts included in this kit. Refer back to this exploded view as you build your model step by step. This method will help you to put the parts into perspective as you progress through the construction.

CONSTRUCTION SUPPLIES

In addition to the parts included in your kit, you will need these construction supplies. Each step shows which supplies will be required.

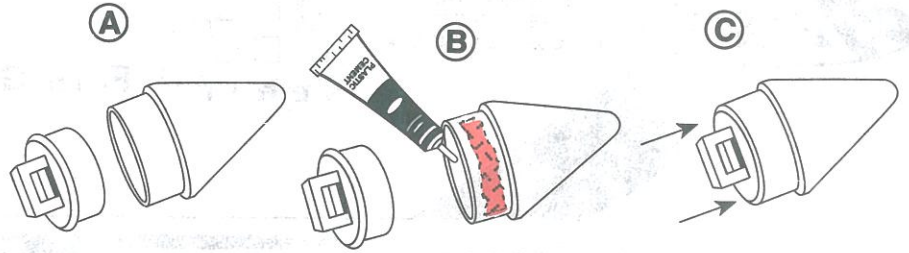


GLUE IS APPLIED TO SURFACES SHOWN IN RED.

1. NOSE CONE ASSEMBLY



- A. Locate the nose cone and nose cone insert.
- B. Run a line of plastic cement inside base of nose cone.
- C. Insert nose cone insert into nose cone. Let dry.

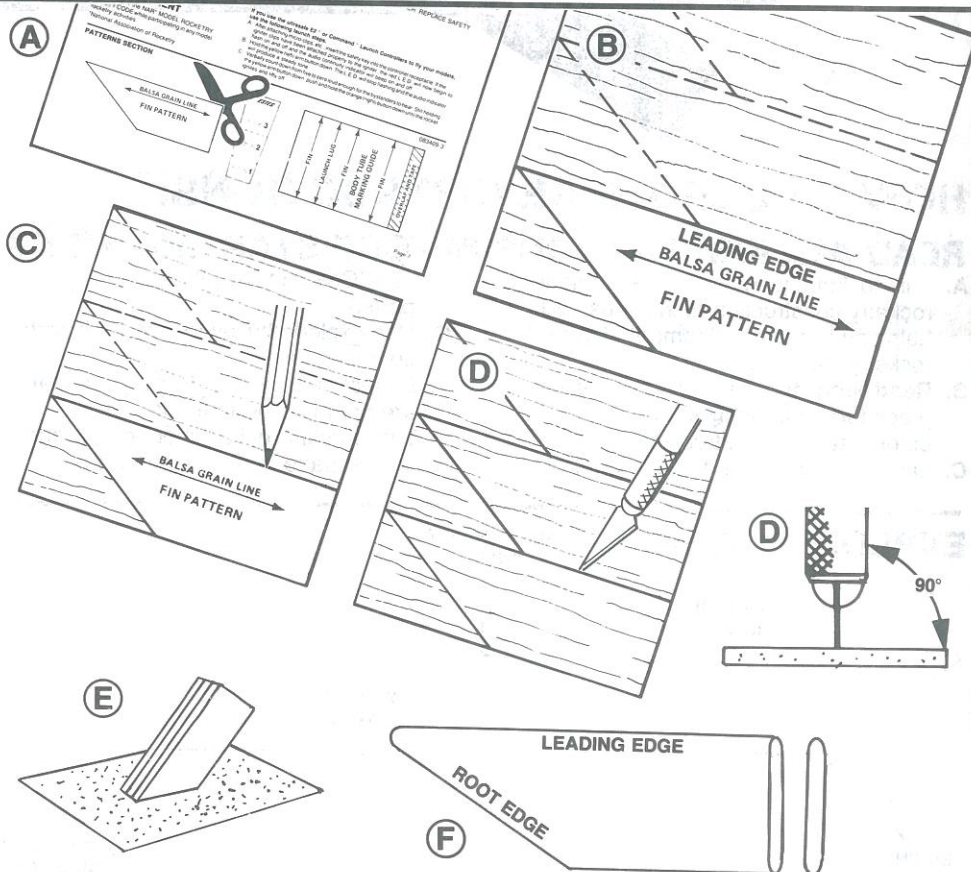


2. FIN PREPARATION

Identify the root edge that will be glued to the body tube and the front (leading) edge. The leading edge always parallels the grain of the wood for extra strength.



- A. Cut the fin pattern from the pattern section sheet on page 7.
- B. Lay the pattern on the balsa fin sheet as shown. **Important: Balsa grain must match grain line on pattern.**
- C. Draw around pattern to transfer three fin outlines onto the balsa.
- D. Cut the fins from the sheet. Hold knife vertically at 90° to work surface for even cut.
- E. Stack fins together and sand all edges.
- F. Optional: For a better-looking, higher-performing rocket, round the edges of the leading and trailing edge of the fin. See illustration.



3. TUBE MARKING DETAIL

HINT: Fins are easier to attach if the body tube is lightly sanded with #600 grit sandpaper. Sand before marking the body tube.



- A. Locate the tube marking guide on the patterns section on page 7. Cut the guide along the outline.
- B. Wrap the guide around the body tube and tape it in place.
- C. Mark tube at all arrow locations. One line on your tube marking guide is labeled LL, this means launch lug. Write LL on the body tube for that line. Remove marking guide.
- D. Using a door frame as a guide, draw straight lines connecting each pair of fin marks. Extend the launch lug line (LL) by 100 mm (4").

