



ESTES INDUSTRIES
1295 H Street
Penrose, CO 81240

(8-97) 84120

EST 1823



TM & © 1997 Lucasfilm Ltd.
All rights reserved
Used under authorization

The World Leader in Model Rocketry

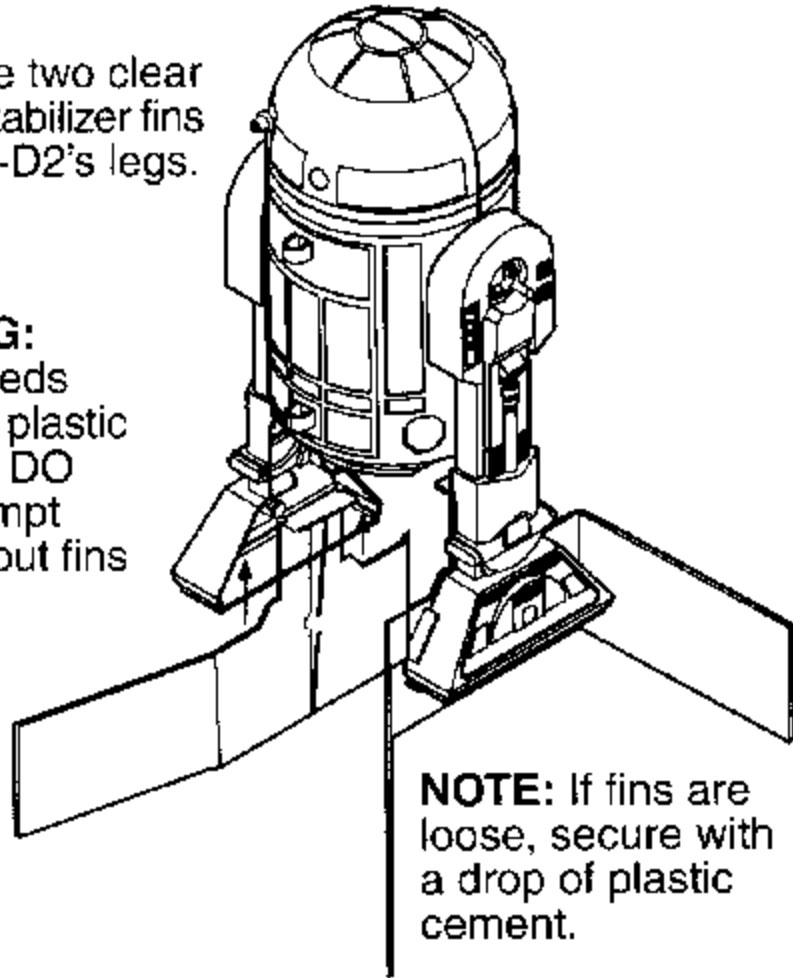
R2-D2

READY-BUILT™ FLYING MODEL ROCKET INSTRUCTIONS

1. FIN ATTACHMENT

A. Snap the two clear plastic stabilizer fins onto R2-D2's legs.

WARNING:
R2-D2 needs both clear plastic fins to fly! DO NOT attempt flight without fins in place!



NOTE: If fins are loose, secure with a drop of plastic cement.

2. PARACHUTE ATTACHMENT

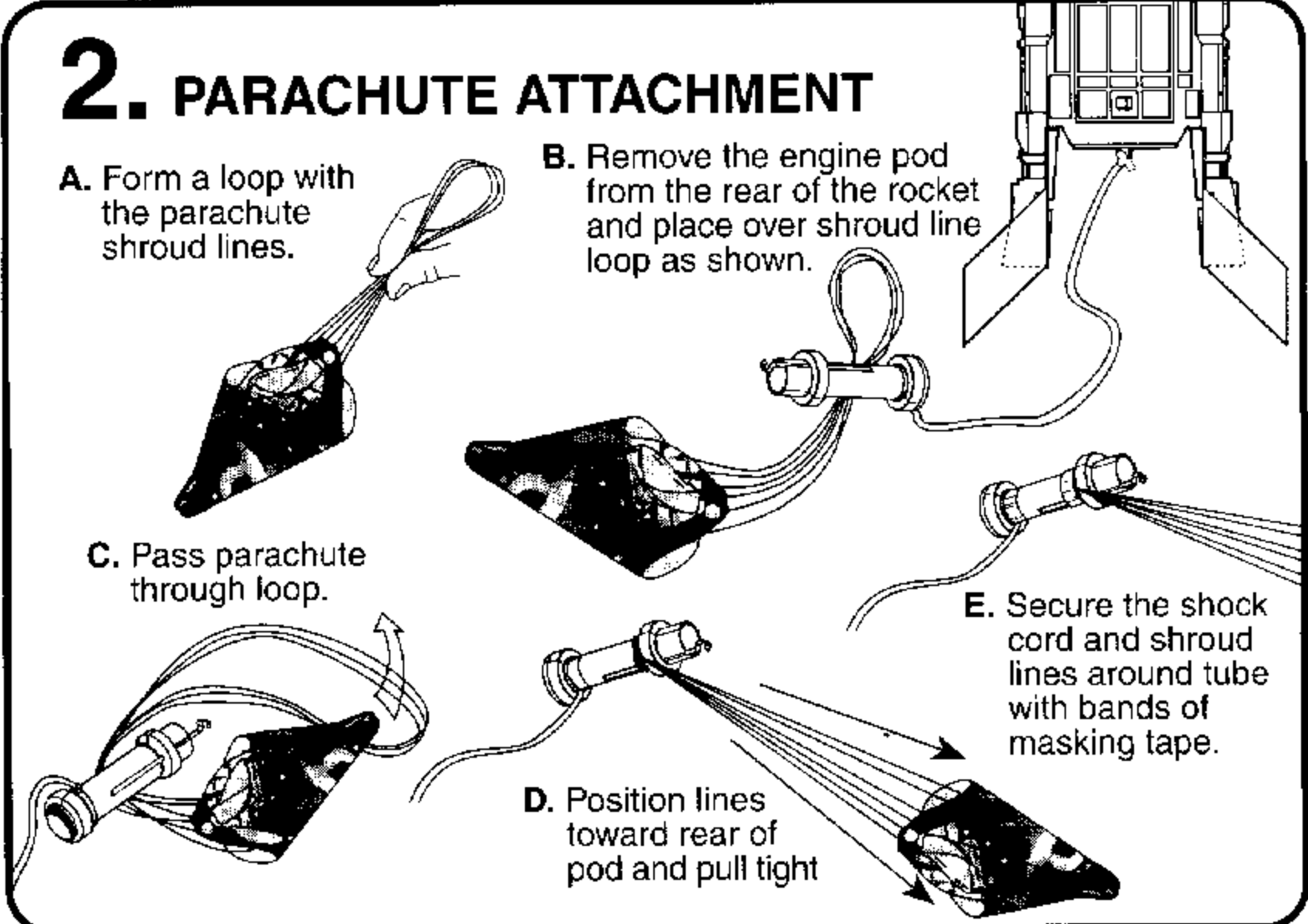
A. Form a loop with the parachute shroud lines.

B. Remove the engine pod from the rear of the rocket and place over shroud line loop as shown.

C. Pass parachute through loop.

D. Position lines toward rear of pod and pull tight

E. Secure the shock cord and shroud lines around tube with bands of masking tape.

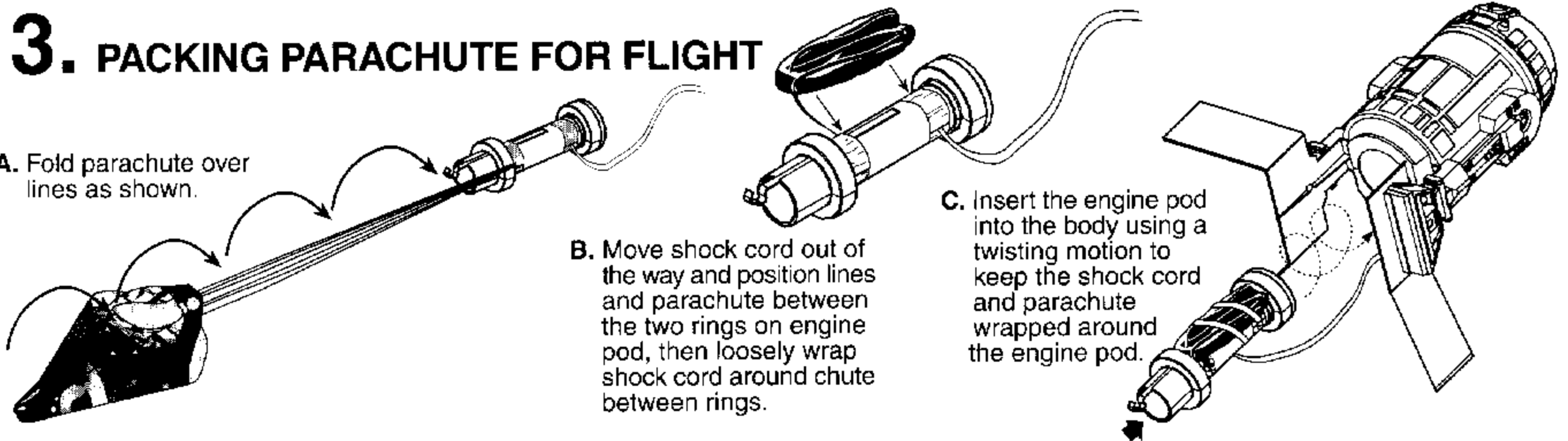


3. PACKING PARACHUTE FOR FLIGHT

A. Fold parachute over lines as shown.

B. Move shock cord out of the way and position lines and parachute between the two rings on engine pod, then loosely wrap shock cord around chute between rings.

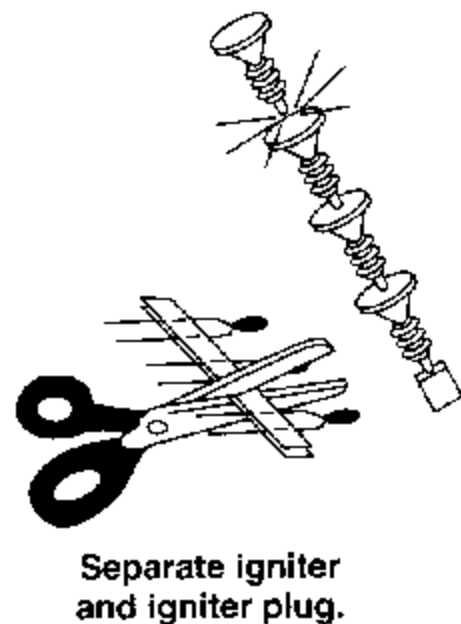
C. Insert the engine pod into the body using a twisting motion to keep the shock cord and parachute wrapped around the engine pod.



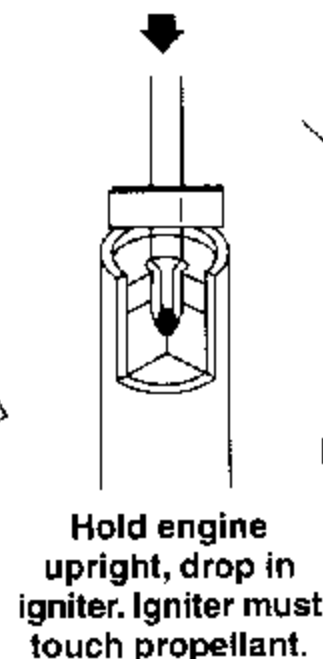
4. PREPARING ENGINE FOR FLIGHT

WARNING - FLAMMABLE
BEFORE PROCEEDING, READ INSTRUCTIONS AND NAR SAFETY CODE INCLUDED WITH ENGINES
PREPARE YOUR ENGINE **ONLY** WHEN YOU ARE **OUT SIDE** AT THE LAUNCH SITE PREPARING TO LAUNCH!

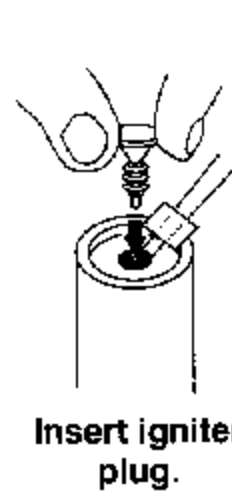
If you do not use your prepared engine, remove the igniter before storing your engine.



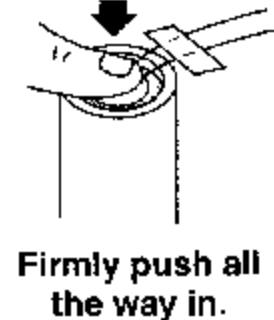
Separate igniter and igniter plug.



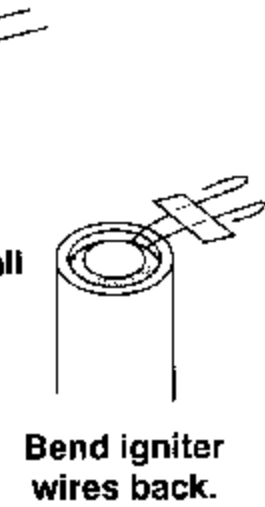
Hold engine upright, drop in igniter. Igniter must touch propellant.



Insert igniter plug.

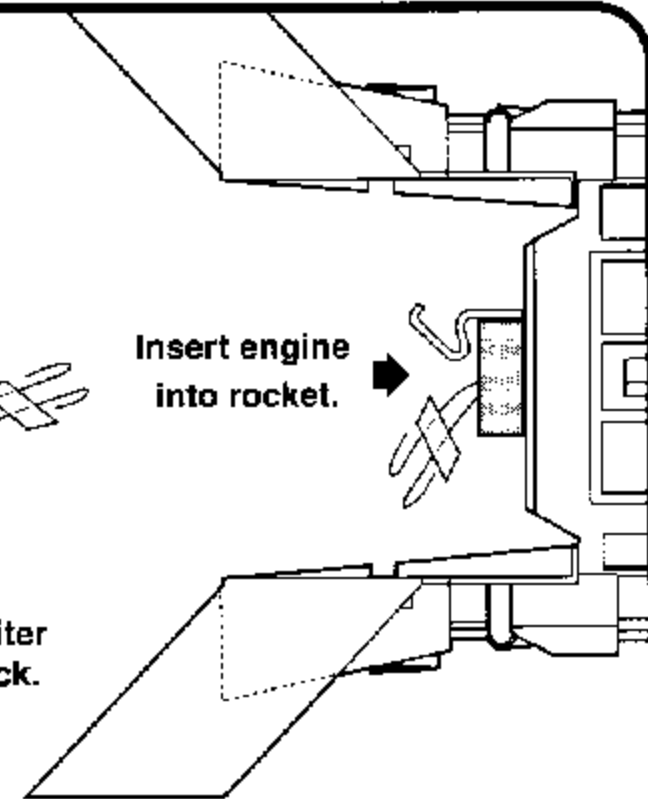


Firmly push all the way in.



Bend igniter wires back.

Insert engine into rocket.



Your R2-D2 rocket features rear ejection of the recovery system and power pod. Recovery wadding is not required for this rocket.

NOTE: If engine pod is too loose, apply a small amount of masking tape to the rear plastic centering ring for a friction fit. **Do not tape pod in place or recovery system will fail.**

LAUNCH SUPPLIES

To launch your rocket, you will need the following:

- Launch Pad (Estes Porta-Pad® II)
 - Launch Controller (Estes Electron Beam®)
 - Recommended Estes Engines: B4-2, B6-2, C5-3, C6-3.
Use a B6-2 engine for your first flight to become familiar with your rocket's flight pattern.
 - Igniters and Igniter Plugs (included with Estes engines)
- Use only Estes products to launch this rocket.

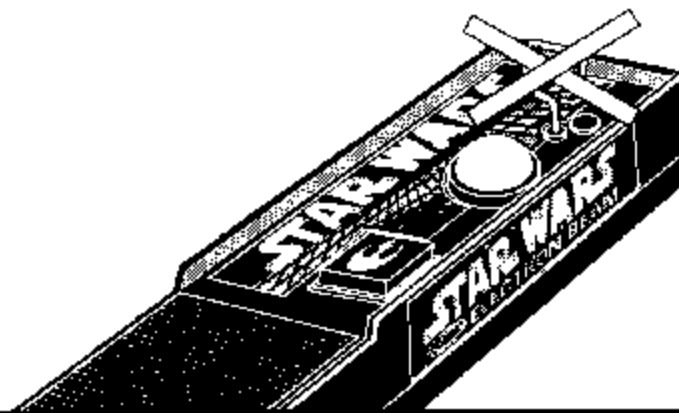
ENGINE	PROJECTED ALTITUDE	
	Feet	Meters
B4-2	127	39
B6-2	133	41
C6-3	262	80
C5-3	277	84

TIPS FOR FLYING YOUR ROCKET

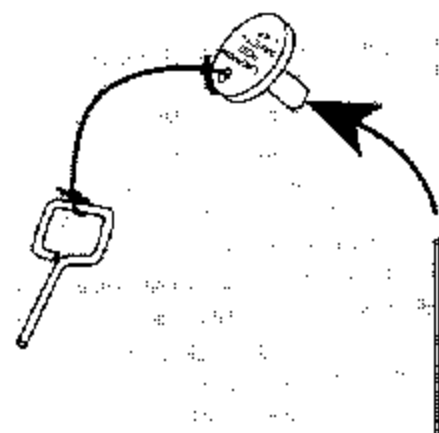
- Choose a large field away from power lines, buildings, tall trees, and low flying aircraft. Try to find a field at least 250 feet (76 meters) square. The larger the launch area, the better your chance of recovering your rocket.
- Launch area must be free of dry weeds and brown grass.
- Launch only during calm weather with little or no wind and good visibility.
- Don't leave parachute packed more than a minute or so before launch during cold weather (colder than 40° Fahrenheit [4° Celsius]). Parachute may be dusted with talcum or baby powder to avoid sticking.
- Always follow the National Association of Rocketry (NAR) MODEL ROCKETRY SAFETY CODE while participating in any model rocketry activities. The safety code is enclosed with this kit.

COUNTDOWN AND LAUNCH

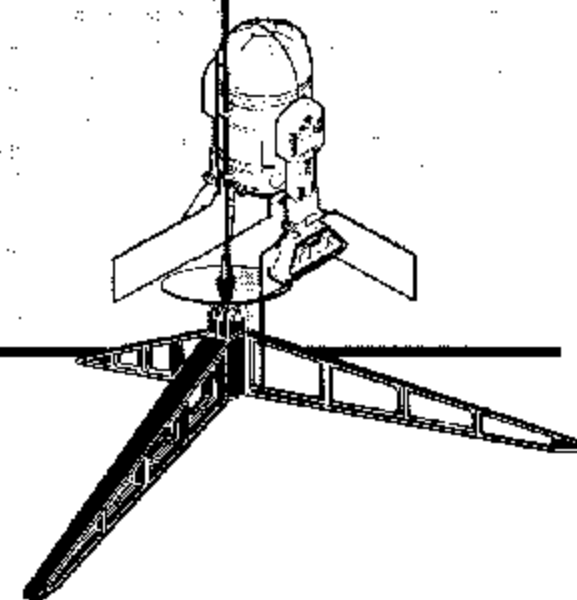
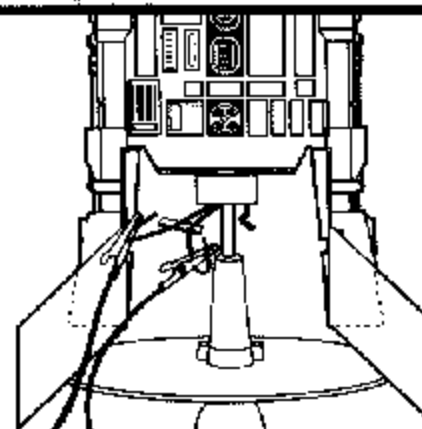
- 10...** Safety key must not be in launch controller.
The safety cap with safety key attached should already be on the launch rod.



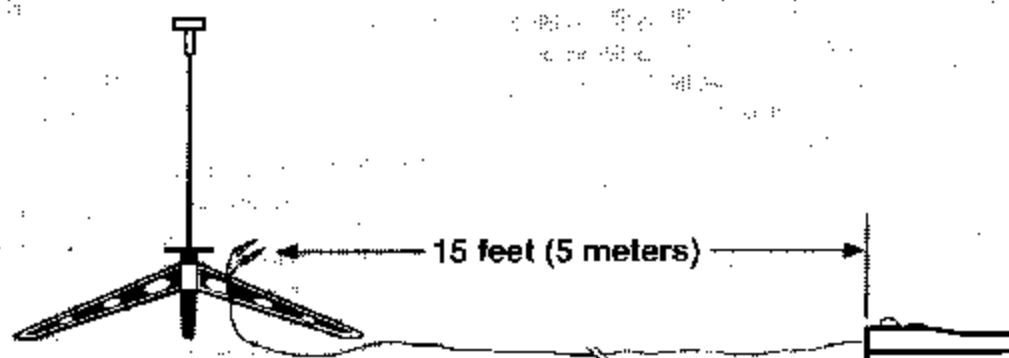
- 9...** Remove safety cap from launch rod, slide launch lugs over rod. Make sure rocket slides freely and micro-clips are clean for good electrical contact.



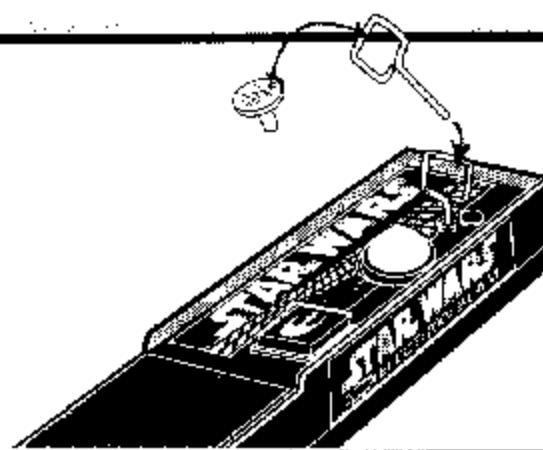
- 8...** Attach micro-clips to the igniter wires. Arrange the micro-clips so they do not touch each other or the metal blast deflector. Attach micro-clips as close to protective tape on igniter as possible.



- 7...** Move everyone back from your rocket as far as launch wire will permit (at least 15 feet - 5 meters).



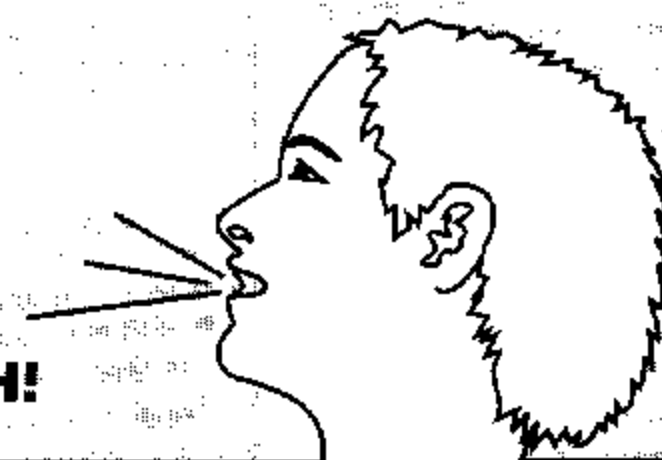
- 6...** Insert safety key to arm the launch controller.



- 5...** Start audible countdown.

4...3...2...1...

5...
4...
3...
2...
1...
LAUNCH!



LAUNCH!

Push and hold button until engine ignites.

For safety, immediately remove safety key from launch controller and replace safety cap on launch rod. May the Force be with you!

MISFIRES

When an ignition failure occurs, **remove the safety key from the launch control system and wait one minute before approaching the rocket.** Remove the expended igniter from the engine and install a new one. Be certain the coated tip is in direct contact with the engine propellant. Broken or chipped coating will not affect the performance of the igniter. Reinstall the igniter plug as illustrated previously. Repeat the countdown and launch procedure.