



ESTES INDUSTRIES
1295 H Street
Penrose, CO 81240

MINI NABOO FIGHTER™

Flying Model Rocket Kit Instructions

STAR WARS™

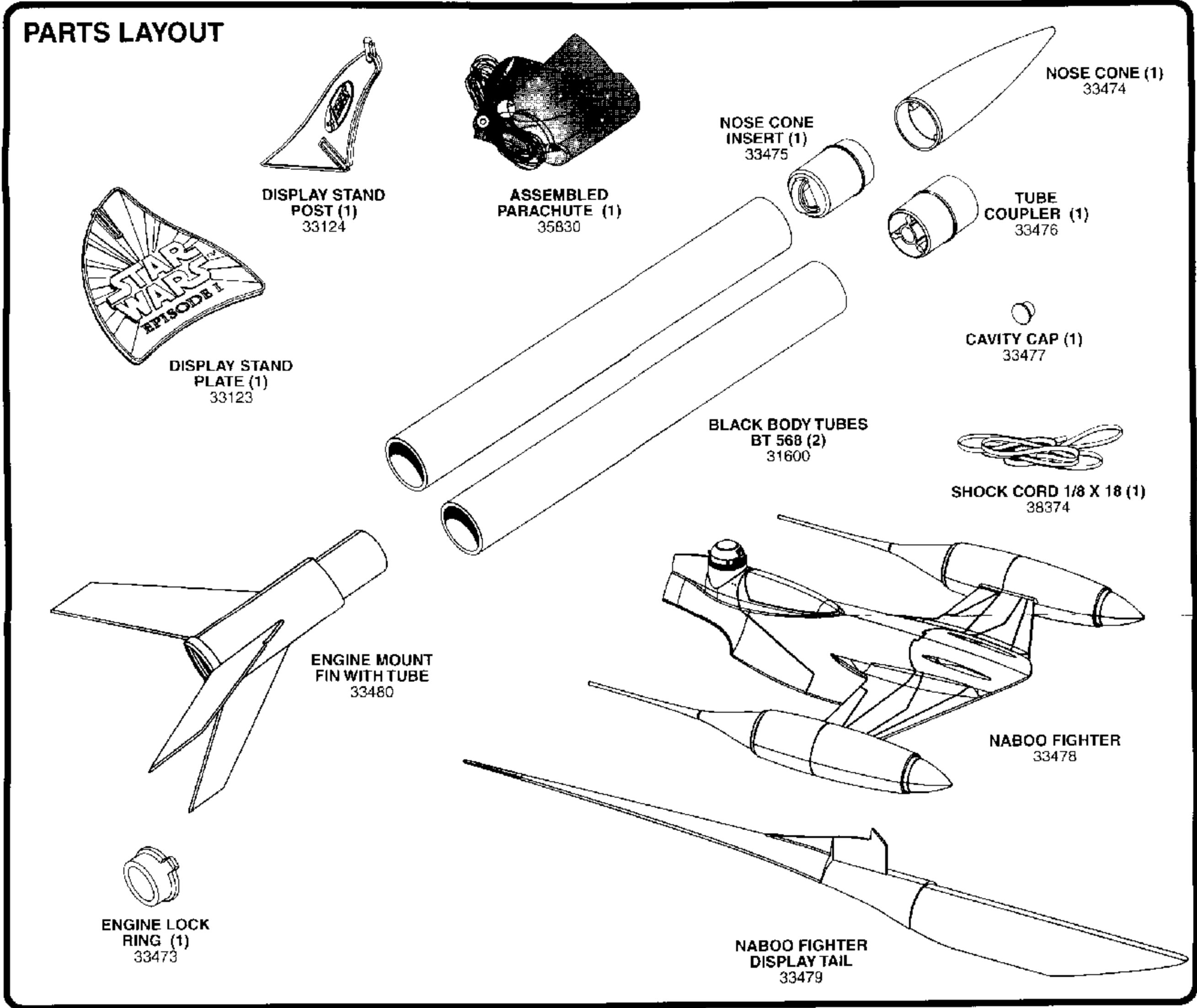
EPISODE I

(11-98) 84409 EST 1832

MATERIALS REQUIRED: TUBE-TYPE PLASTIC CEMENT, HOBBY KNIFE, SANDPAPER, RULER, SCISSORS.
BE SURE TO READ ALL INSTRUCTIONS, TEST FIT ALL PARTS, AND SAND AS NECESSARY BEFORE GLUING.

ALL GLUED AREAS ARE SHADED IN GRAY

PARTS LAYOUT



2. B

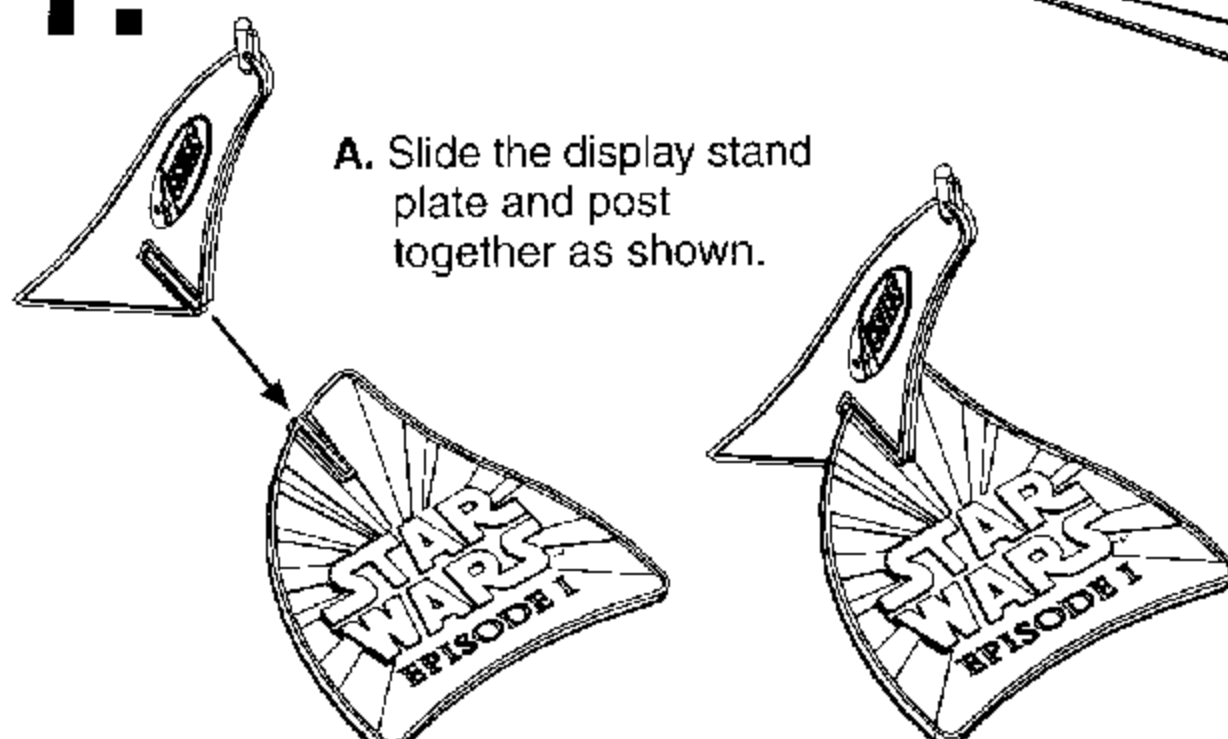
CUT OTHER END

A. Tie a dot off exce

B. Fee tub

C. Apply a rear ec CEME

1. THE DISPLAY STAND

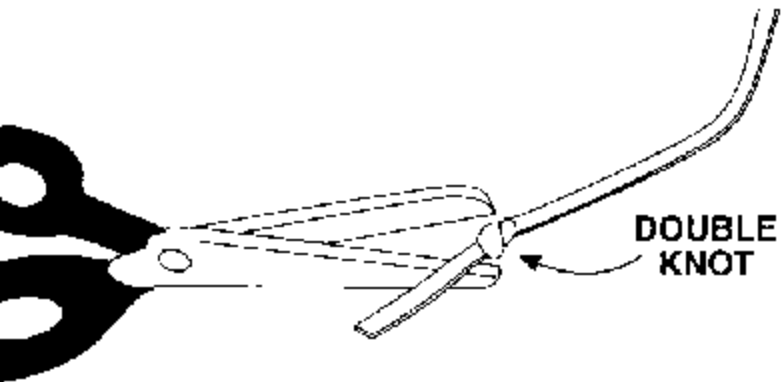


A. Slide the display stand plate and post together as shown.

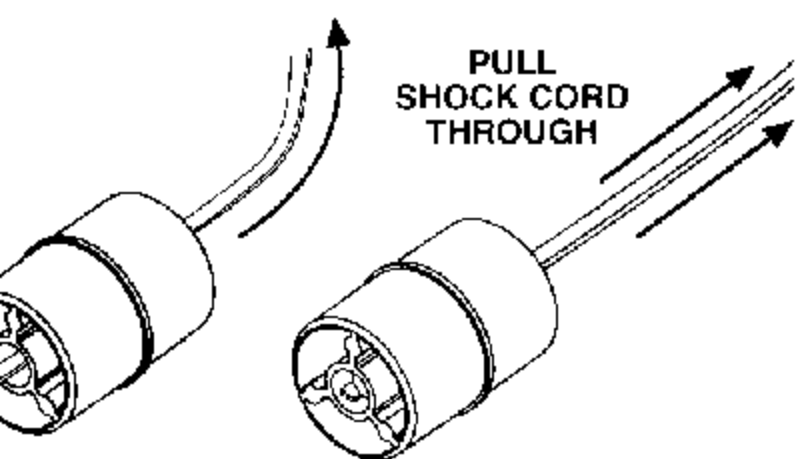
B. Set your Naboo Fighter on the stand to display.

4.

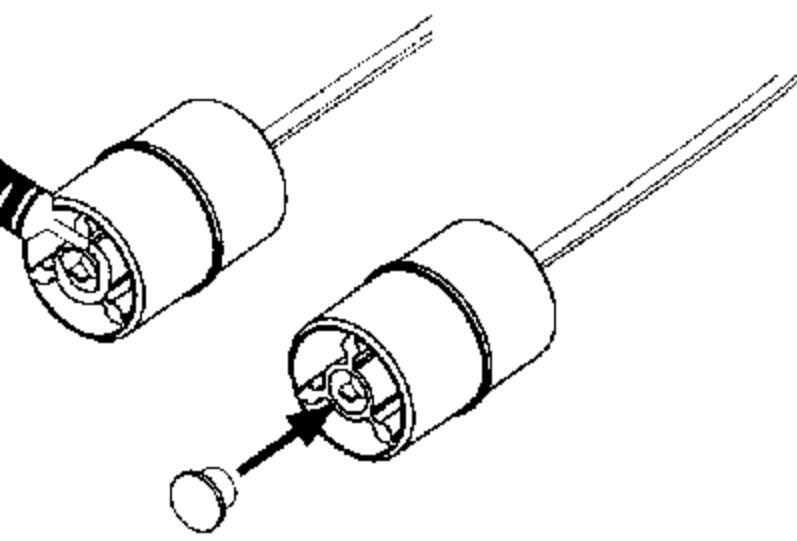
BUILDING THE FLIGHT PROBE



Double knot in one end of the shock cord and trim ends. Cut the other end at an angle as shown.



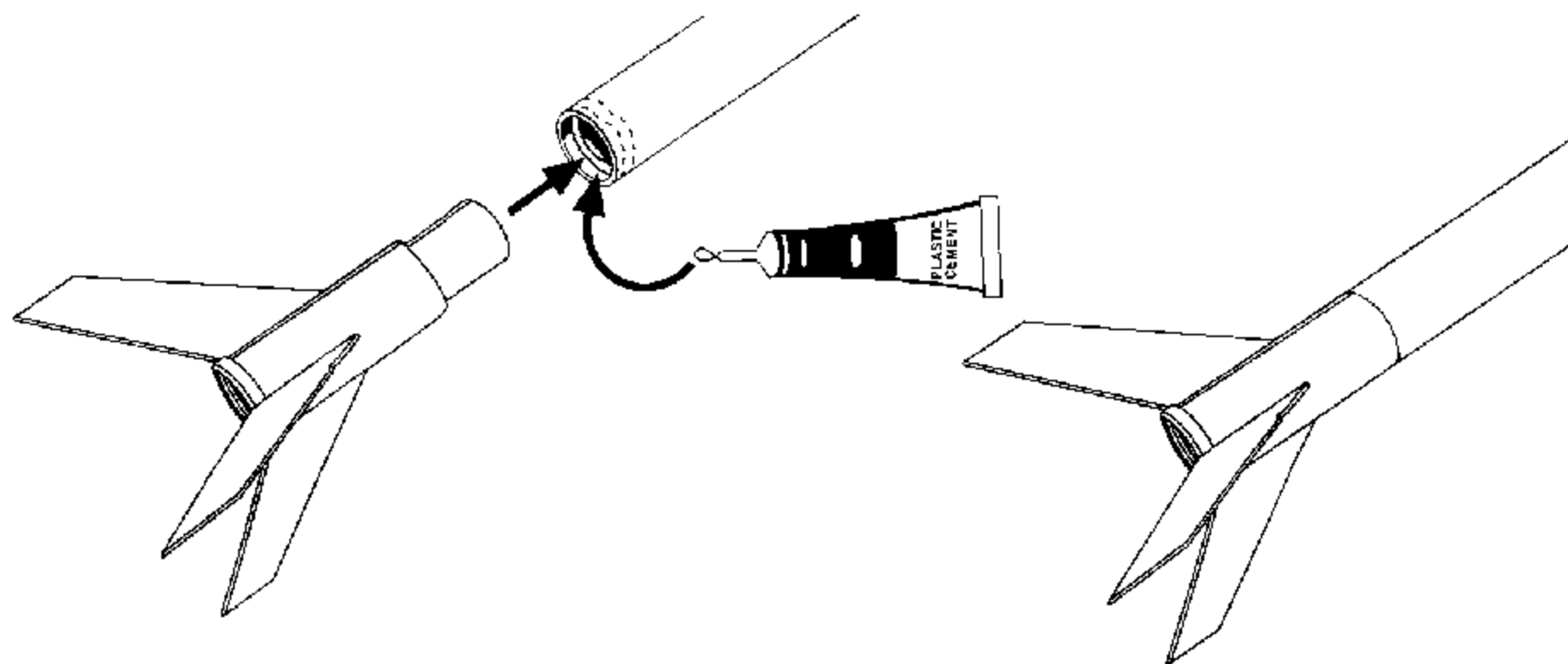
Slide the shock cord through the cavity in the coupler until the knot fits into the cavity.



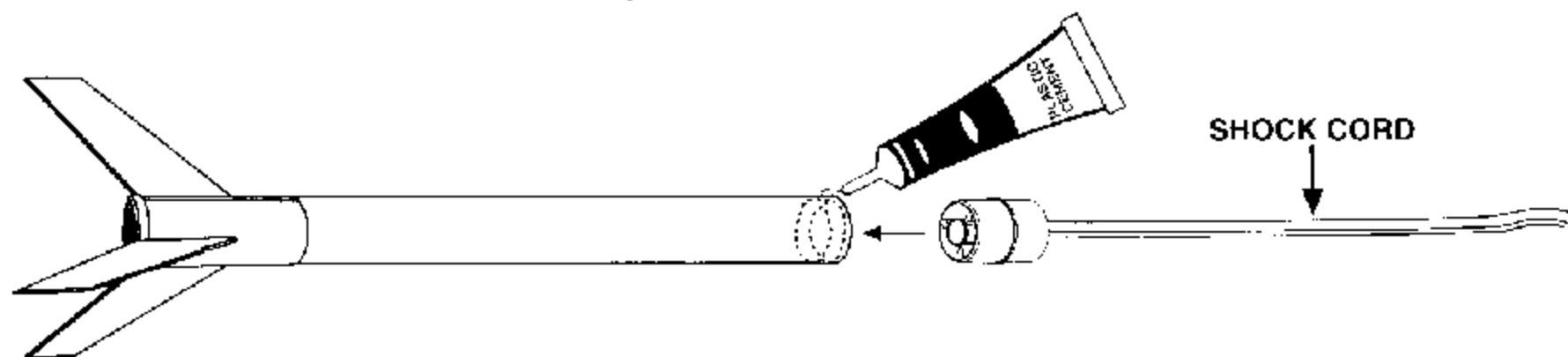
Apply a thin line of plastic cement around the outside edge of the cavity (BE CAREFUL NOT TO GET CEMENT ON SHOCK CORD) and apply cavity cap.

3.

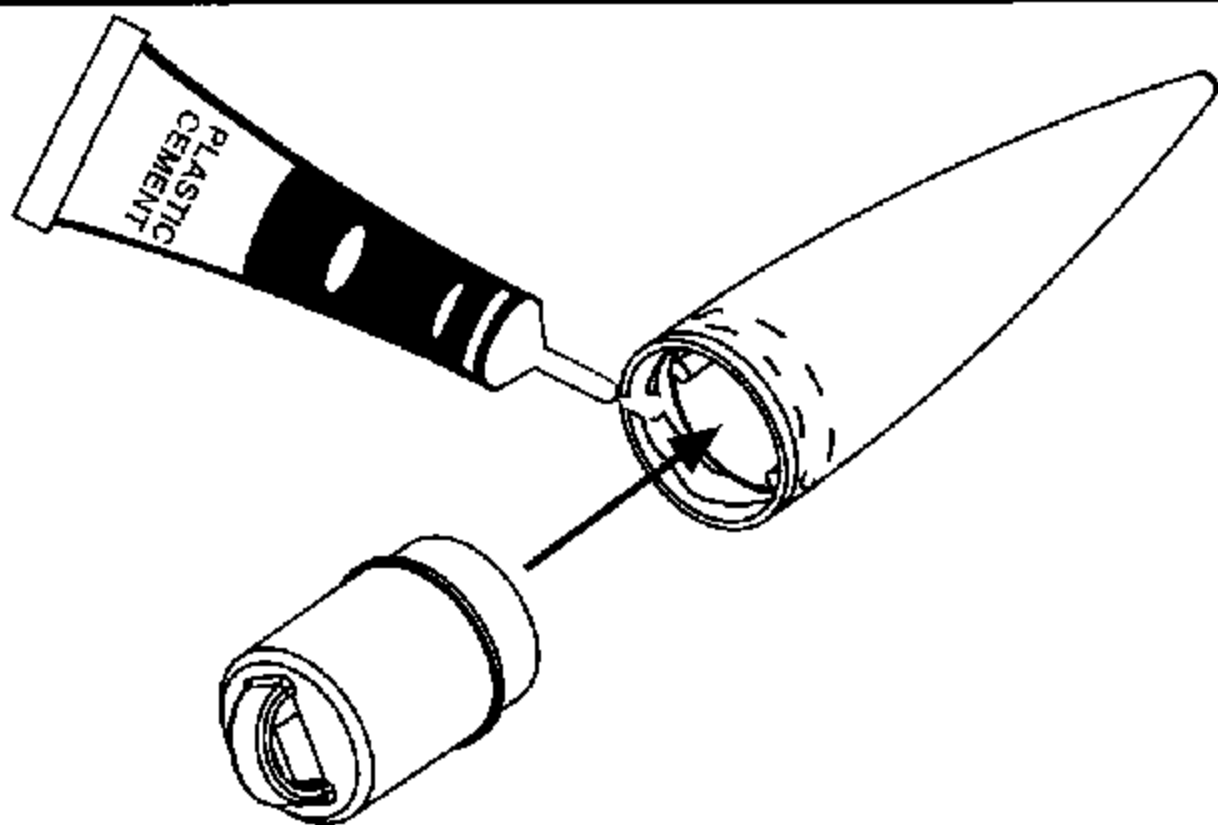
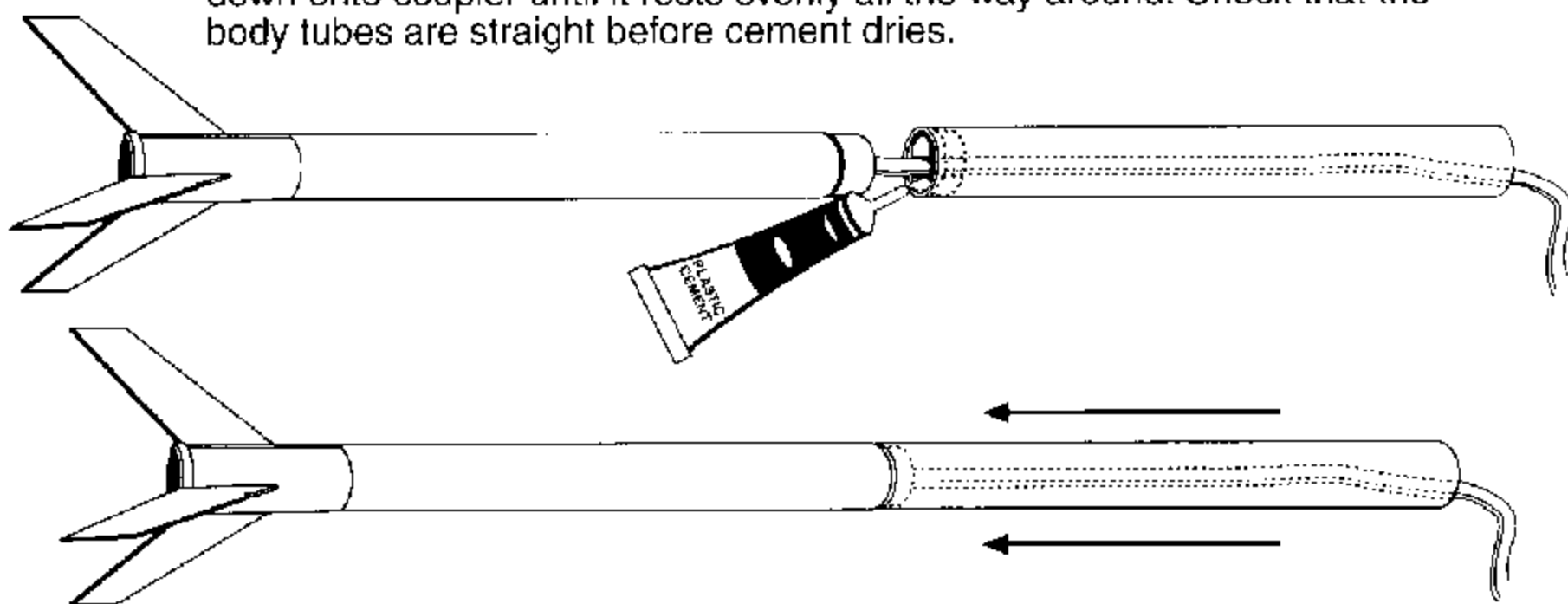
A. Apply a ring of plastic cement just inside one end of one of the black body tubes and slide tube over the shoulder of the engine mount until the tube rests evenly all the way around. Let dry.



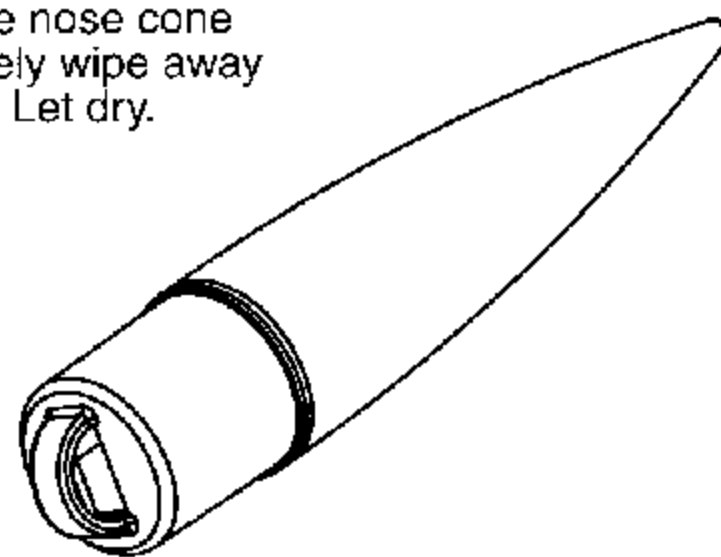
B. Test fit the tube coupler into the front of the body tube/engine mount assembly. BE SURE THE SHOCK CORD EXITS THE FRONT OF THE TUBE! Remove coupler, apply a ring of plastic cement just inside the front of the tube assembly, and reinsert coupler.



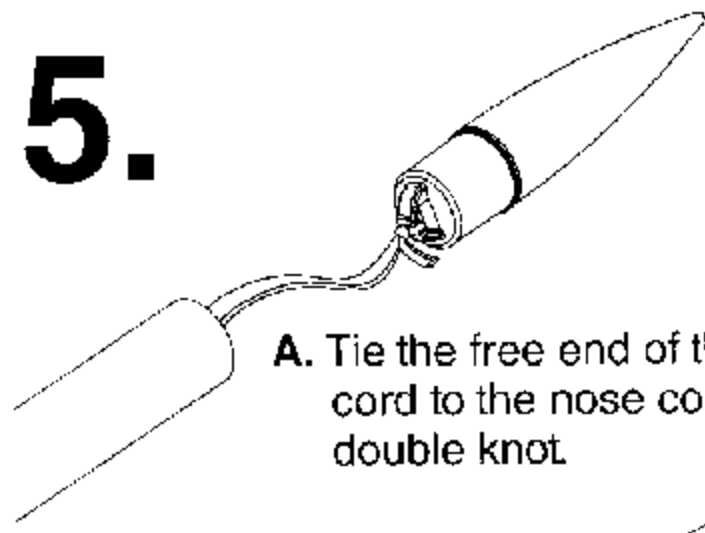
C. Feed the free end of the shock cord through the remaining body tube and apply a ring of plastic cement just inside the rear end of the tube. BEING CAREFUL NOT TO GET CEMENT ON THE SHOCK CORD, slide the tube down onto coupler until it rests evenly all the way around. Check that the body tubes are straight before cement dries.



A. Apply a ring of plastic cement just inside the nose cone and slide the nose cone insert into place. Immediately wipe away any excess plastic cement. Let dry.



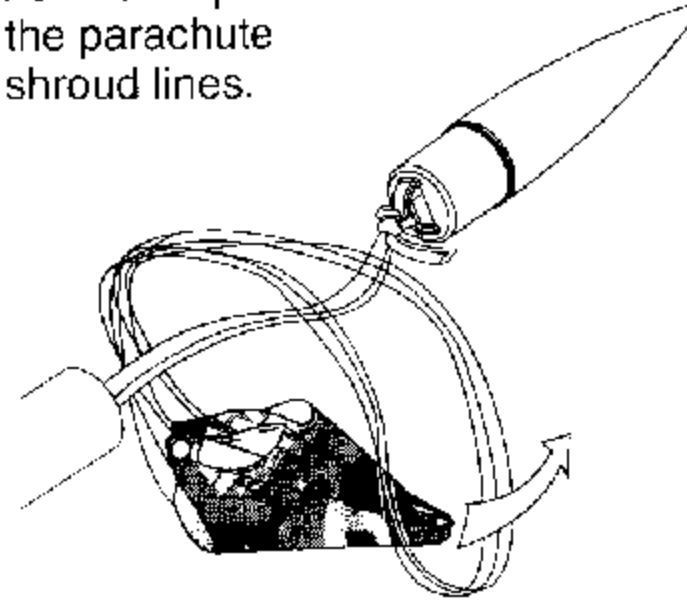
5.



A. Tie the free end of the shock cord to the nose cone with a double knot.



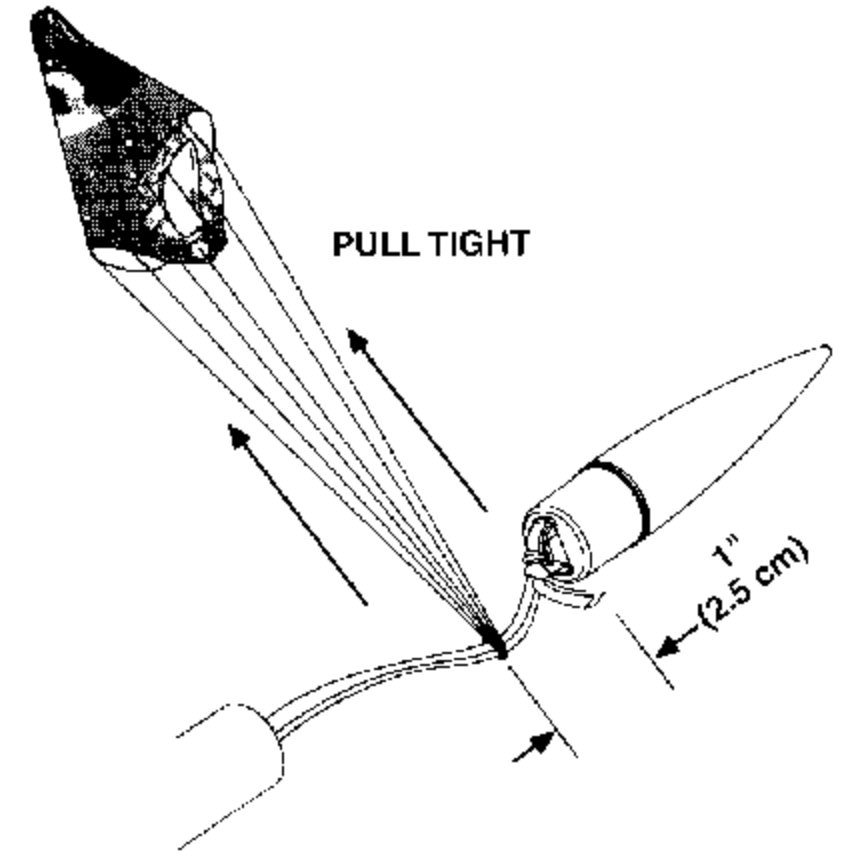
B. Form a loop with the parachute shroud lines.



C. Lay shock cord over loop.



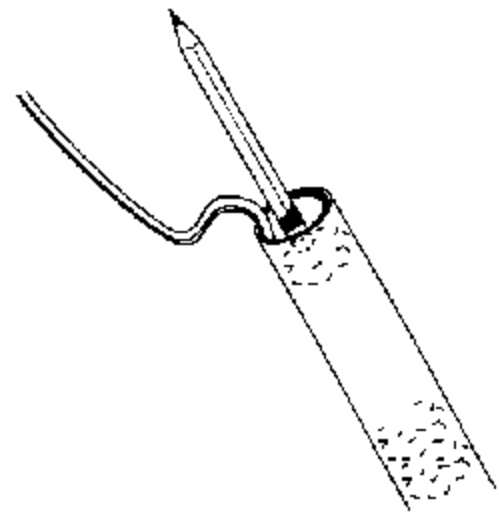
D. Pass parachute through loop.



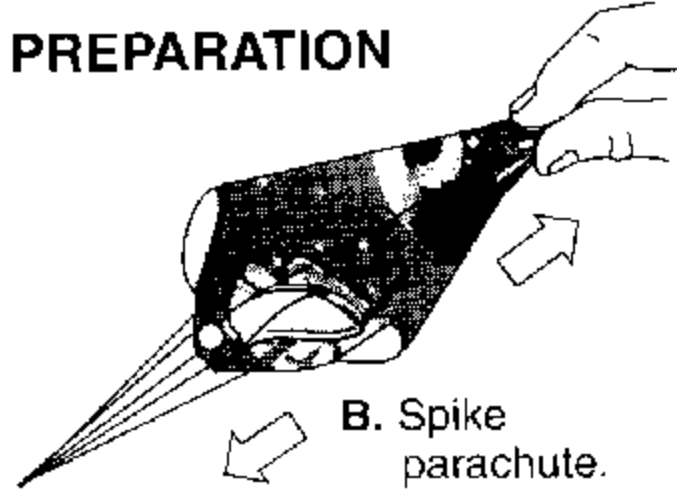
E. Position parachute about 1" (2.5 cm) from rear of nose cone and pull tight.

6.

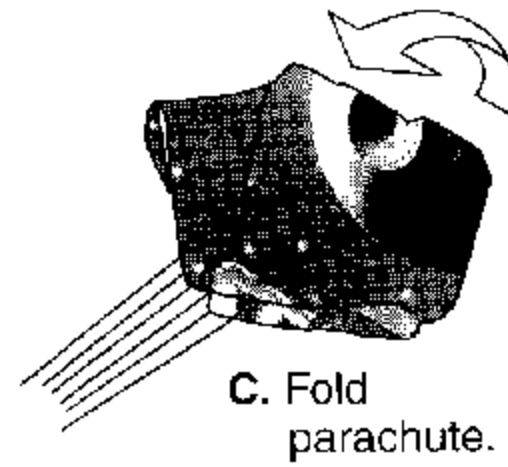
FLIGHT PROBE PREPARATION



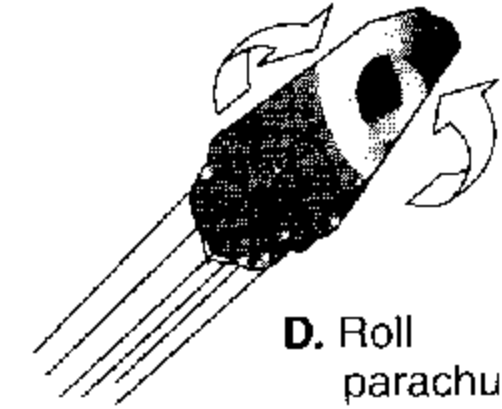
A. Crumple and insert four squares of recovery wadding. Insert parachute, shock cord and nose cone.



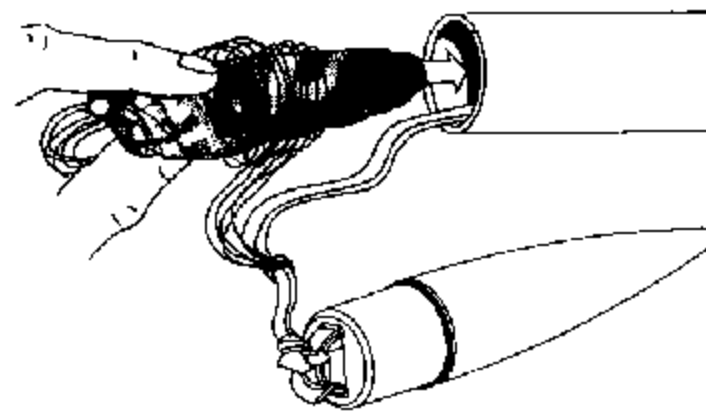
B. Spike parachute.



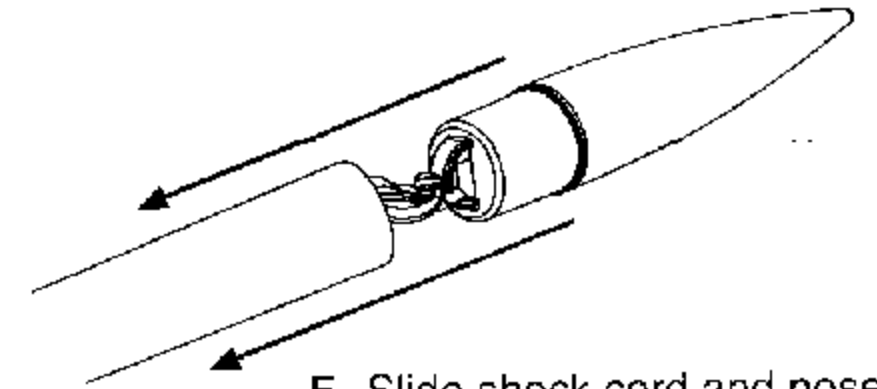
C. Fold parachute.



D. Roll parachute.



E. Wrap lines loosely around the parachute and insert the parachute into the rocket.



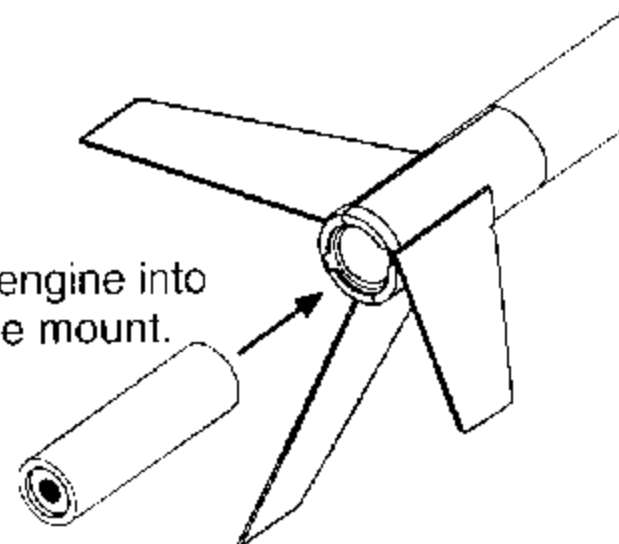
F. Slide shock cord and nose cone into place. If it is too tight, remove and repack.

7.

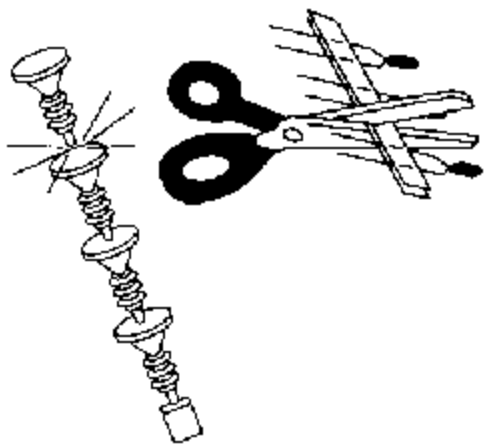
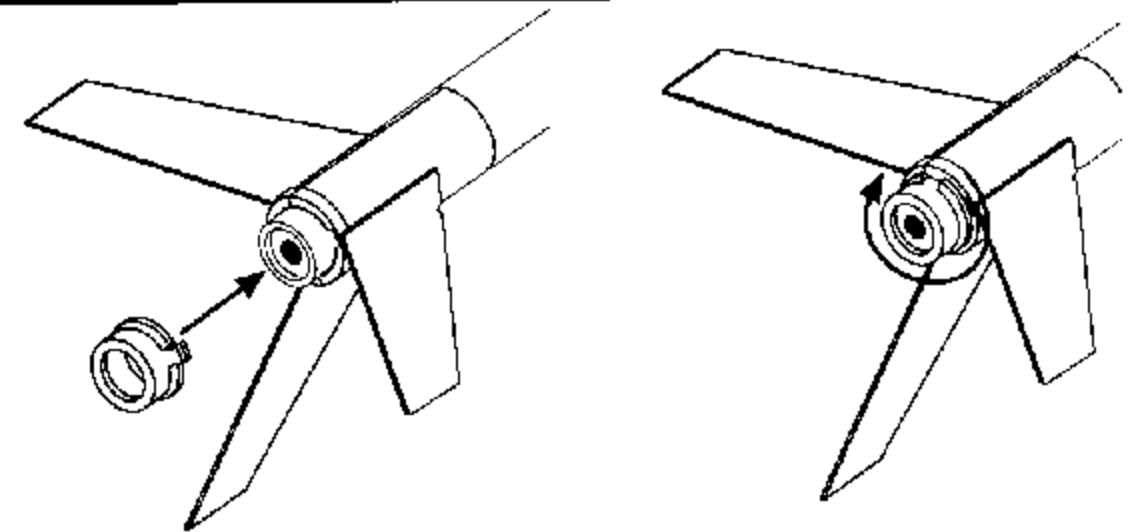
ENGINE PREPARATION

WARNING FLAMMABLE:
BEFORE PROCEEDING, READ INSTRUCTIONS AND NAR SAFETY CODE INCLUDED WITH ENGINES. PREPARE YOUR ENGINE **ONLY** WHEN YOU ARE **OUTSIDE** AT THE LAUNCH SITE PREPARING TO LAUNCH!
If you do not use your prepared engine, remove the igniter before storing your engine.

A. Slide engine into engine mount.

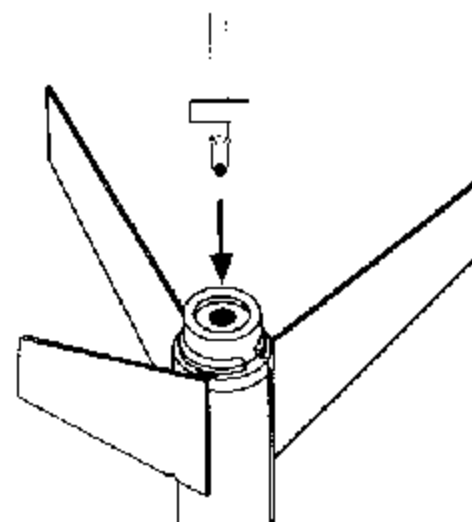


B. Twist engine lock ring into locked position.

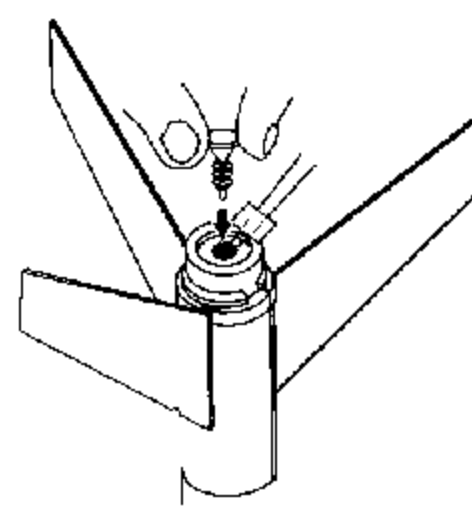


C. Separate igniter and igniter plug.

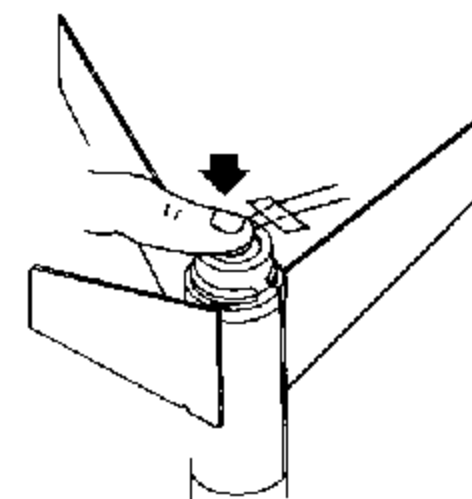
D. Hold flight probe upside down and drop in igniter. Igniter must touch propellant.



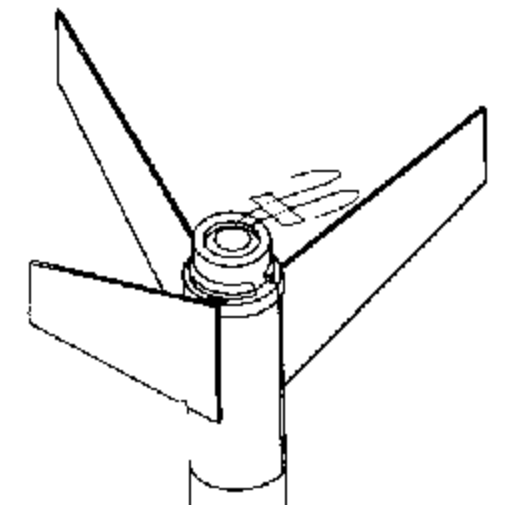
E. Push in igniter plug.



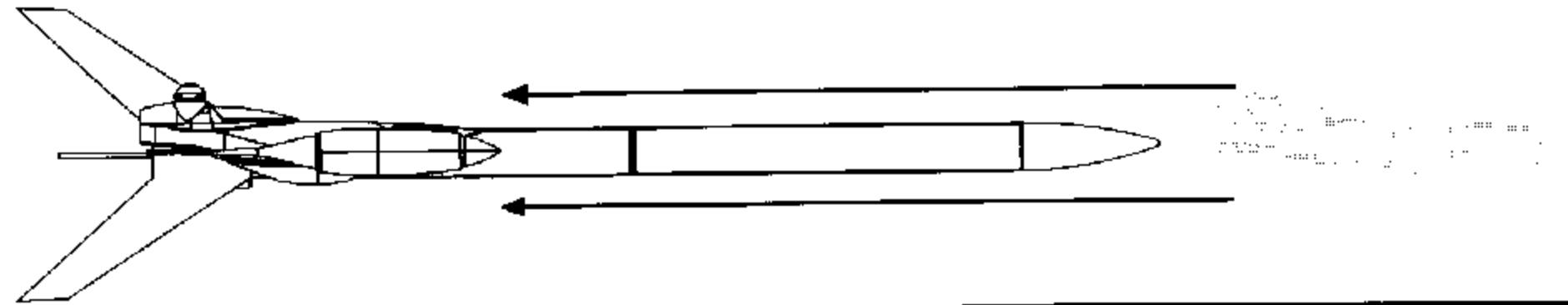
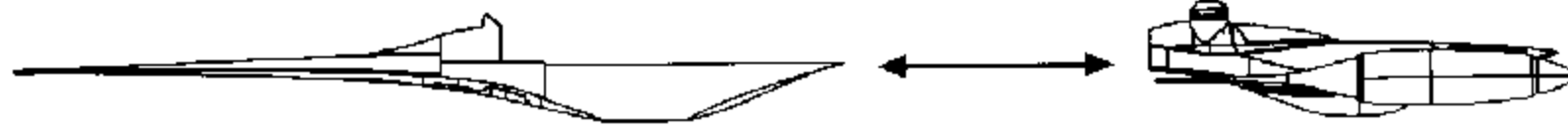
F. Firmly push plug all the way in.



G. Bend igniter wires as shown.



8. PREPARING YOUR NABOO FOR FLIGHT MODE

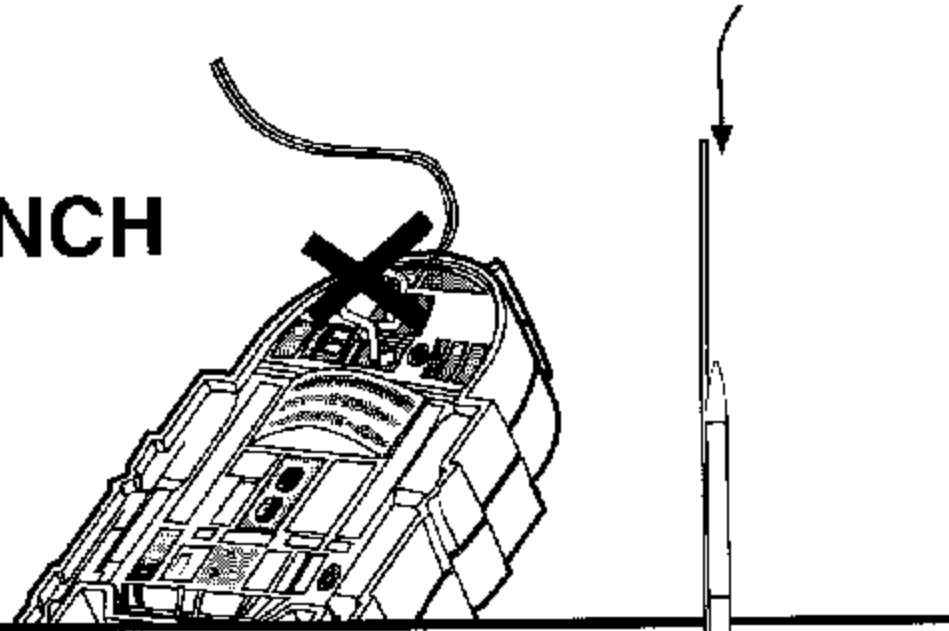


A. Remove display tail from the Naboo Fighter and set aside. **THE TAIL IS FOR DISPLAY ONLY!** Slide Naboo Fighter over the flight ready probe until the Droid's head rests against the notched fin.

10... COUNTDOWN AND LAUNCH

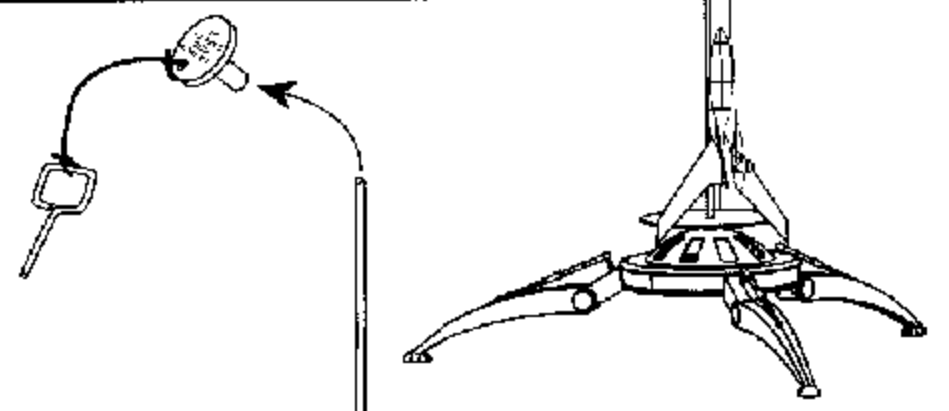
Safety key must not be in launch controller.

The safety cap should be on the launch rod.



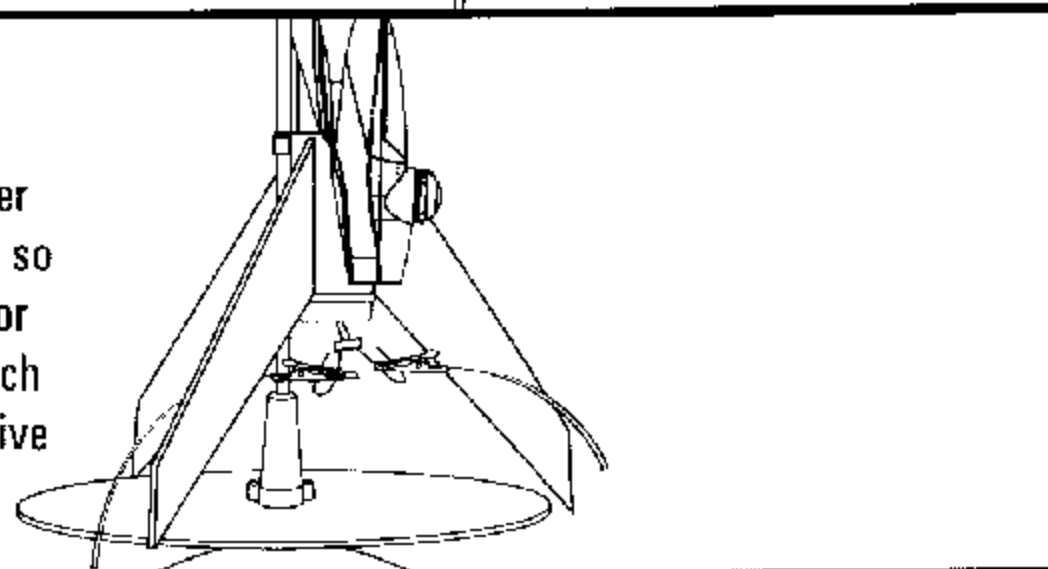
9...

Remove safety cap from launch rod, slide launch lugs over rod. Make sure rocket slides freely and micro-clips are clean for good electrical contact.



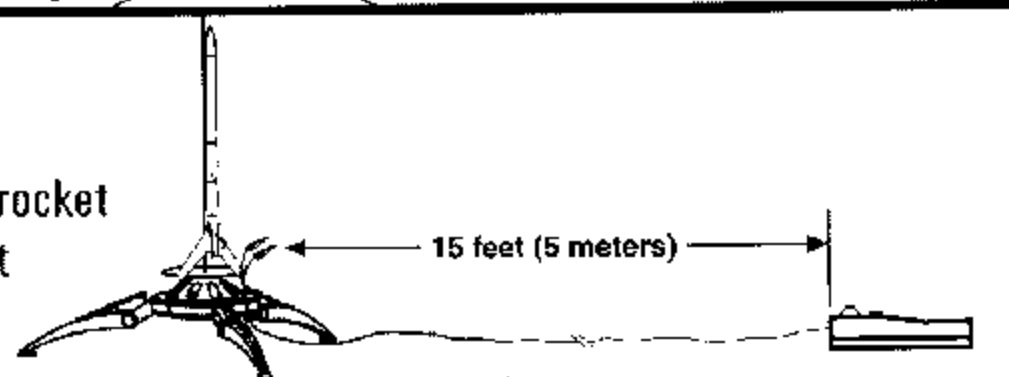
8...

Attach micro-clips to the igniter wires. Arrange the micro-clips so they do not touch each other or the metal blast deflector. Attach micro-clips as close to protective tape on igniter as possible.



7...

Move everyone back from your rocket as far as launch wire will permit at least 15 feet (5 meters).



6...

Insert safety key to arm the launch controller.

5...

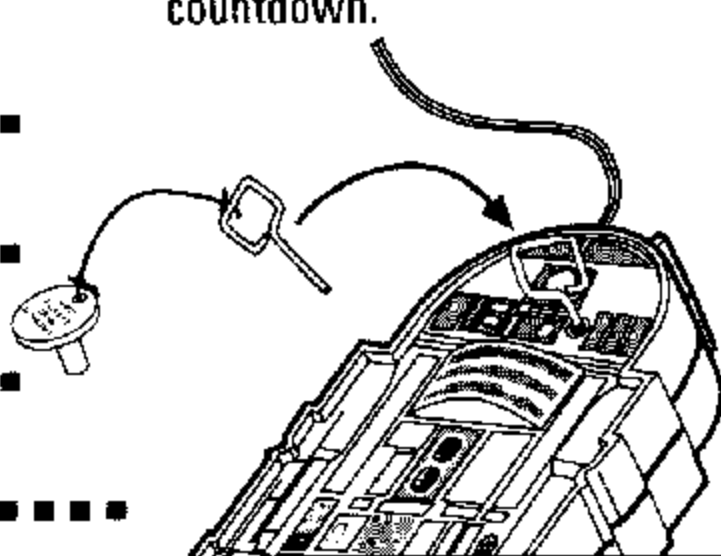
Start audible countdown.

4...

3...

2...

1.....



LAUNCH!

Push and hold button until engine ignites. For safety, immediately remove safety key from launch controller. Replace safety cap on launch rod.

MISFIRES

When an ignition failure occurs, **remove the safety key from the launch control system and wait one minute before approaching the rocket.** Remove the expended igniter from the engine and install a new one. Be certain the coated tip is in direct contact with the engine propellant. Broken or chipped coating will not affect the performance of the igniter. Reinstall the igniter plug as illustrated previously. Repeat the countdown and launch procedure.

LAUNCH SUPPLIES

To launch your rocket, you will need the following:

- Launch Pad (Estes Porta-Pad® II or Star Wars Mini Launch Pad)
 - Launch Controller (Electron Beam® Laser™, or R2-D2)
 - Recommended Estes Engines: 1/2A3-2T, A3-4T, or A10-3T. Use a 1/2A3-2T engine for your first flight to become familiar with your rocket's flight pattern.
 - Recovery Wadding (EST 302274)
 - Igniters and Igniter Plugs (included with Estes engines)
- Use only Estes products to launch this rocket.

PROJECTED ALTITUDE

Engine	Feet	Meters
1/2A3-2T	157	48
A3-4T	329	100
A10-3T	316	96

TIPS FOR FLYING YOUR ROCKET

- Choose a large field away from power lines, buildings, tall trees, and low flying aircraft. Try to find a field at least 250 feet (76 meters) square. The larger the launch area, the better your chance of recovering your rocket.
- Launch area must be free of dry weeds and brown grass.
- Launch only during calm weather with little or no wind and good visibility.
- Don't leave parachute packed more than a minute or so before launch during cold weather (colder than 40° Fahrenheit [4° Celsius]). Parachute may be dusted with talcum or baby powder to avoid sticking.
- Always follow the National Association of Rocketry (NAR) MODEL ROCKETRY SAFETY CODE while participating in any model rocketry activities. The safety code is enclosed with this kit.

© 1998 Centuri Corp. All rights reserved.
© Lucasfilm Ltd. & TM. All rights reserved. Used under authorization.