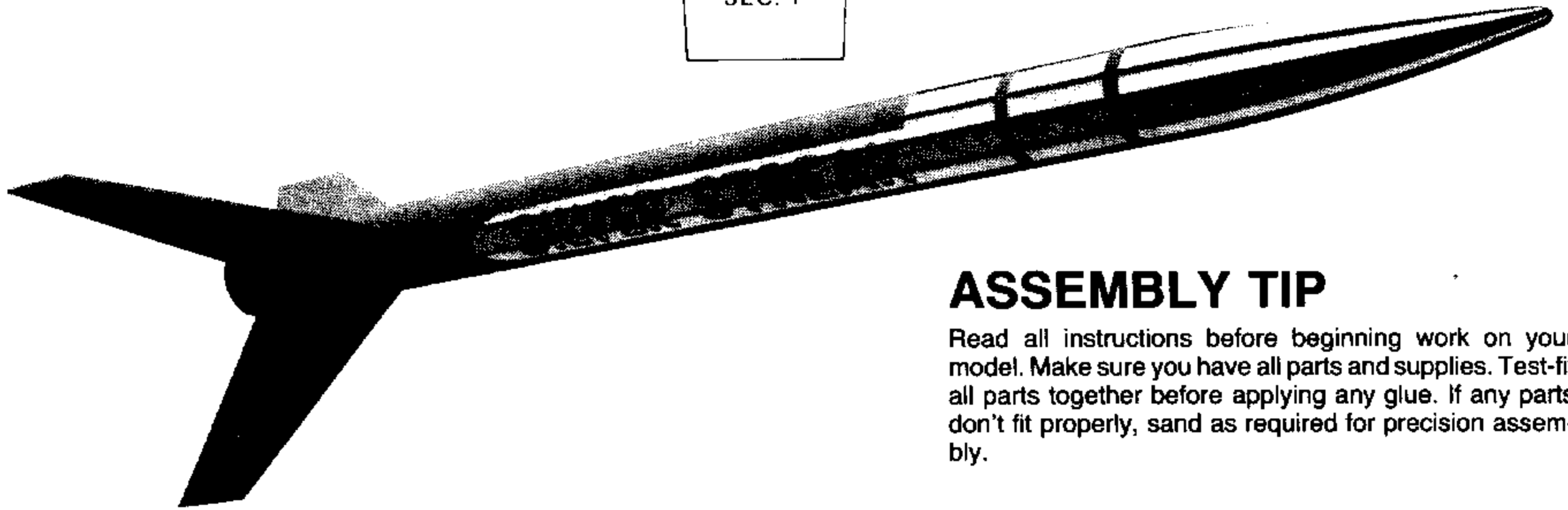
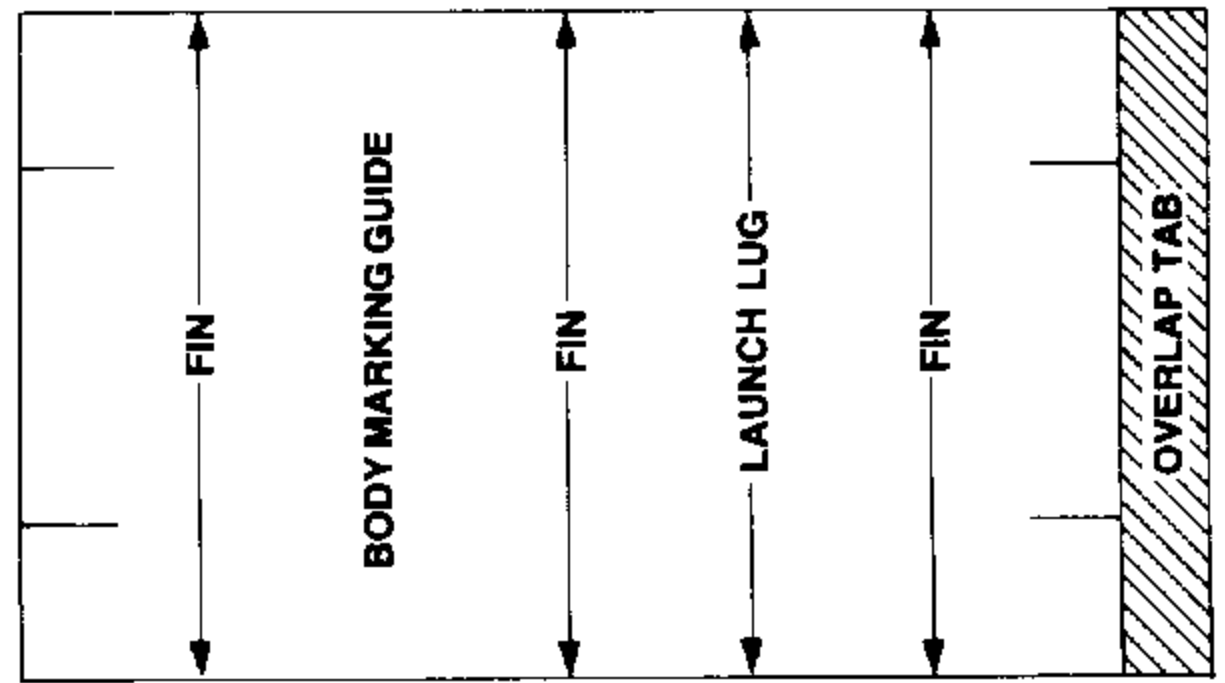
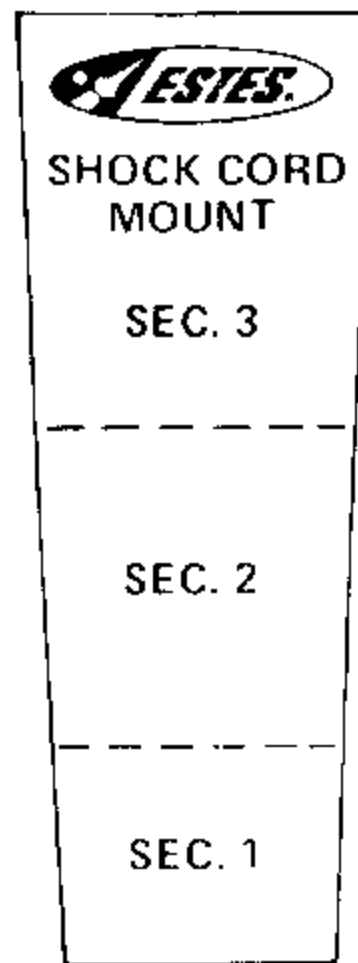




ESTES INDUSTRIES
295 H STREET
PENROSE, CO 81240

SILVER STREAK™

FLYING MODEL ROCKET
KIT NO. 2027

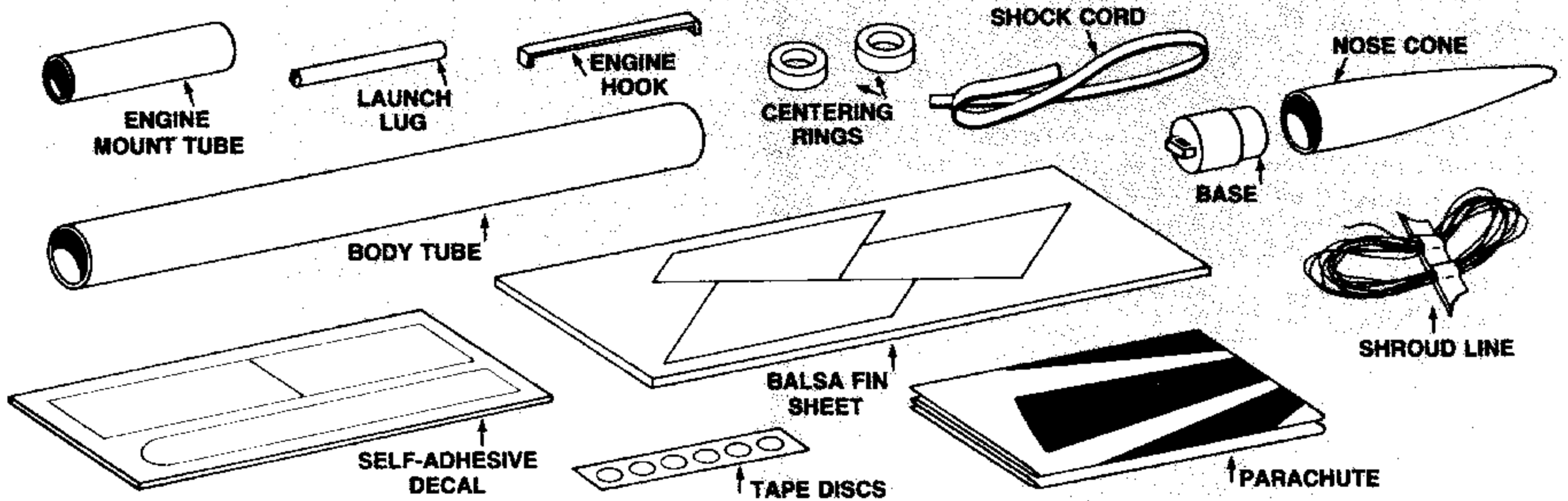


ASSEMBLY TIP

Read all instructions before beginning work on your model. Make sure you have all parts and supplies. Test-fit all parts together before applying any glue. If any parts don't fit properly, sand as required for precision assembly.

PARTS AND SUPPLIES

Locate the parts shown below and lay them out on the table in front of you.



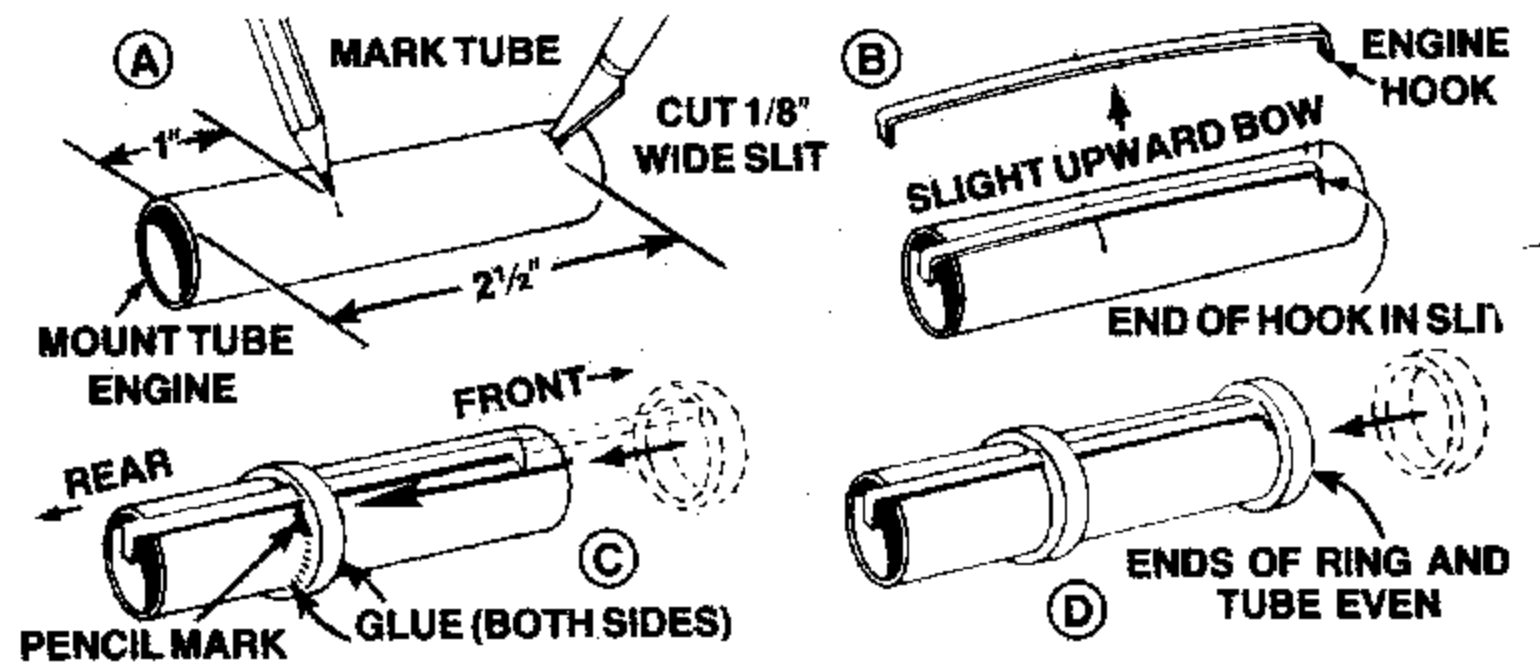
In addition to the parts included in the kit, you will need the following:



ROCKET ASSEMBLY

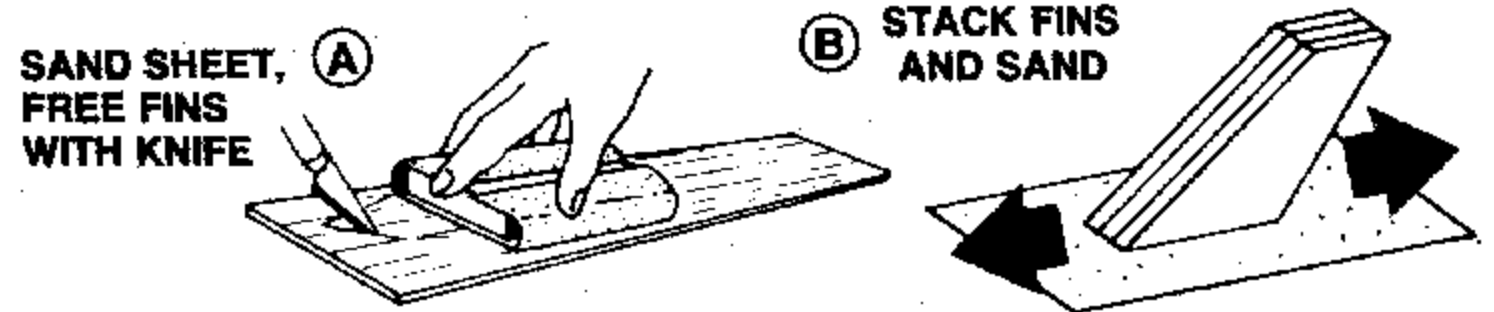
1.

- Mark the engine mount tube 1 inch and 2½ inches from one end. Cut a 1/8 inch wide slit at the 2½ inch mark.
- Gently bend the engine hook so it has a very slight upward bow. Insert one end of hook into slit.
- Slide a centering ring over the front of the tube and push it down to the 1 inch mark. Apply white glue to both sides of the ring-tube joint.
- Glue the remaining ring in place on the front end of the tube.



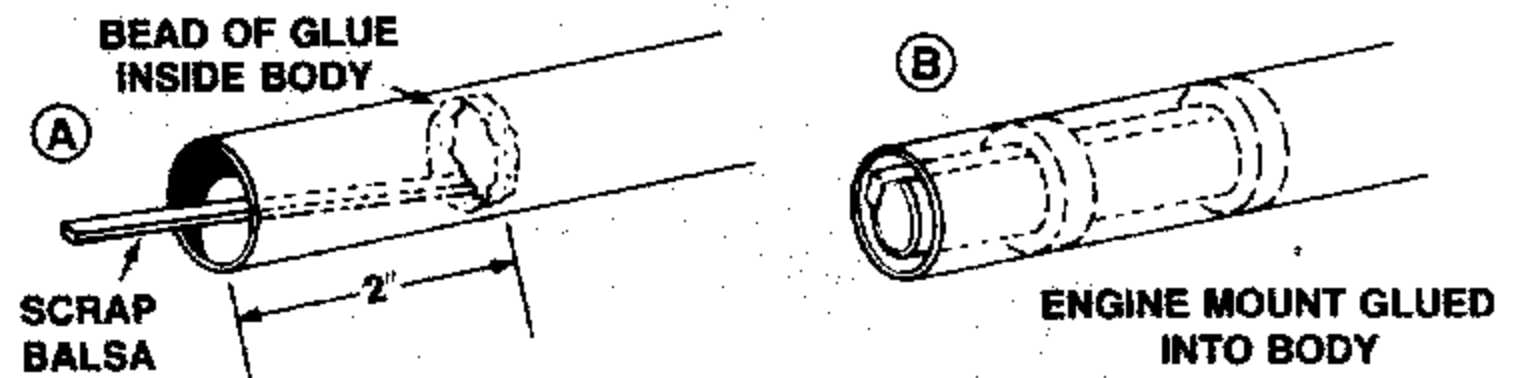
2.

- Sand both sides of the balsa sheet. Run a knife blade along the die-cut lines to free fins from sheet.
- Stack fins together and sand edges square.



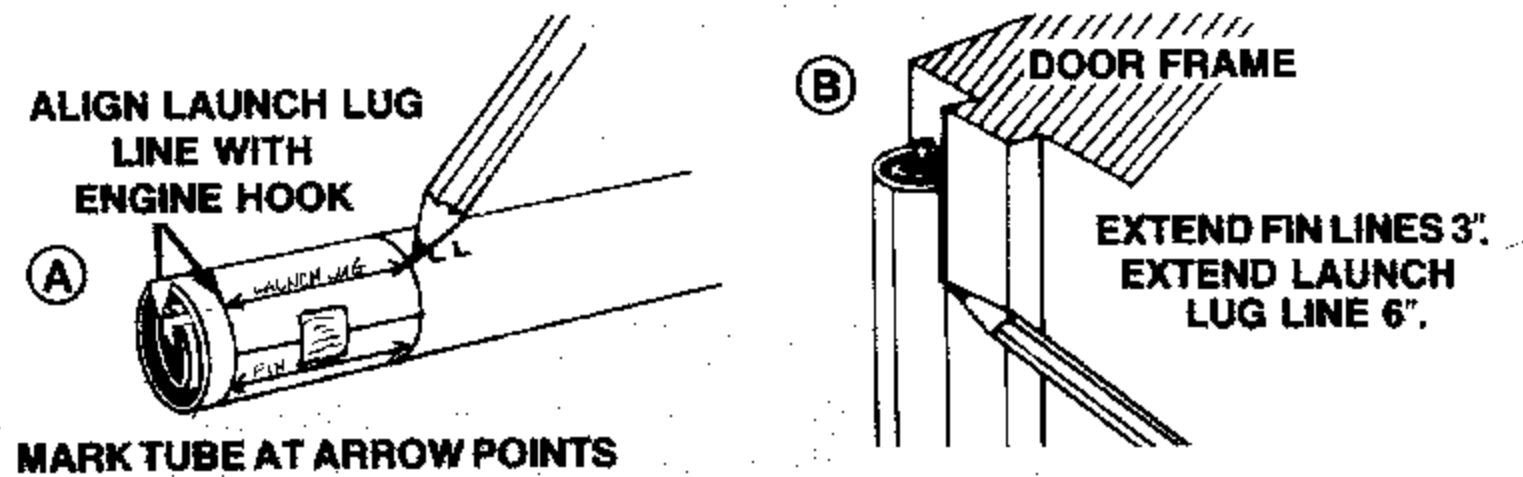
3.

- Apply a bead of glue inside the body tube about 2 inches from one end.
- Push the engine mount into the tube until ends are even. **NOTE:** Make sure mount is installed as shown with the hook extending from end of body.



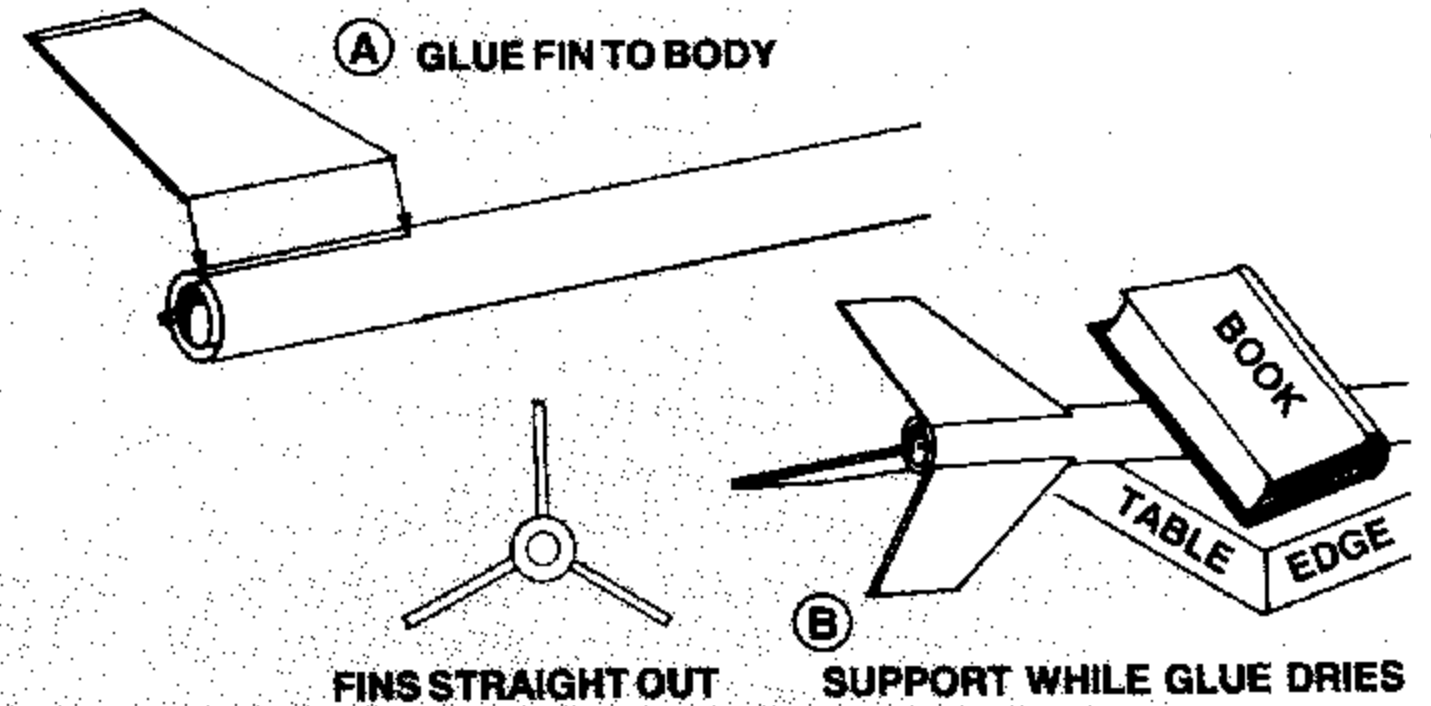
4.

- Cut the body marking guide from the front of these instructions. Wrap the guide around the rear of the body and tape ends together. Mark the body at each of the arrow points, then remove guide.
- Using a door frame as a guide, draw lines connecting the marks. Fin lines should extend about 3 inches along body and the launch lug line about 6 inches.



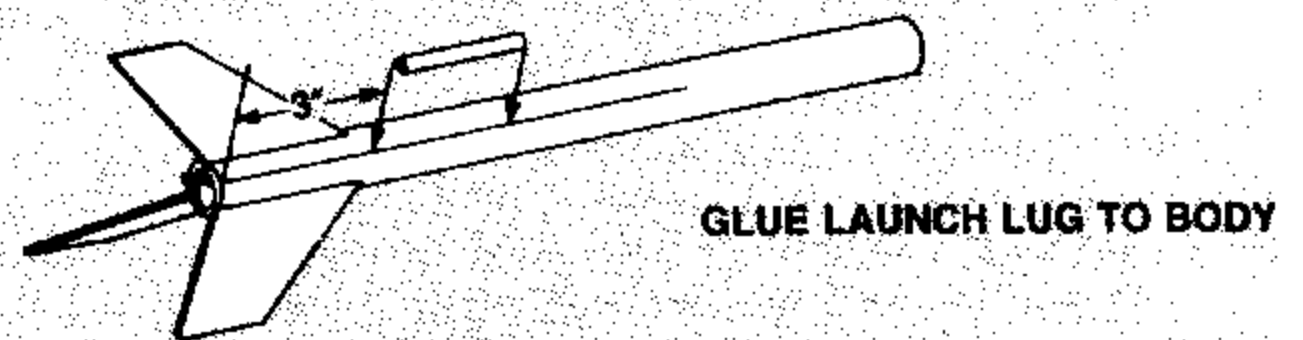
5.

- Apply glue to the root edge of a fin and attach to body as shown. Make sure the fin is aligned straight with the body and that it extends straight out from the body. Support as shown until glue is dry.
- Attach the remaining fins in the same manner, allowing glue to dry on the second fin before attaching the third. Make sure the fins extend straight from body as shown.



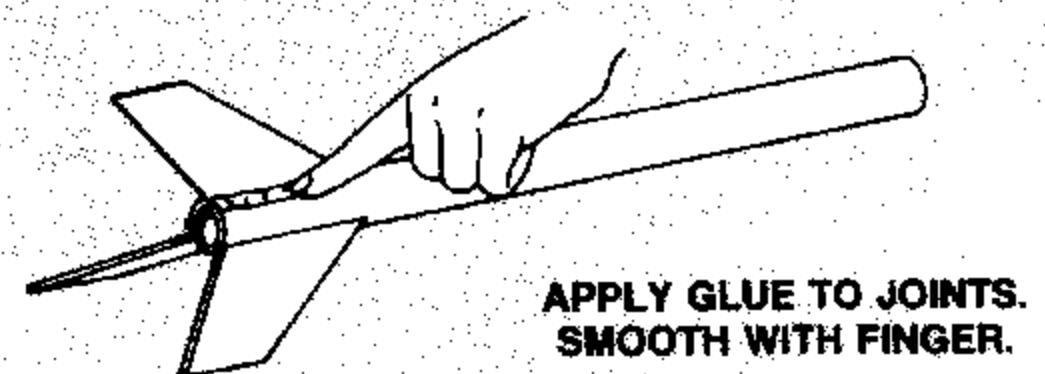
6.

- Glue the launch lug to the body, centered on the launch lug line and with the rear of the lug 3 inches from the rear of the tube.



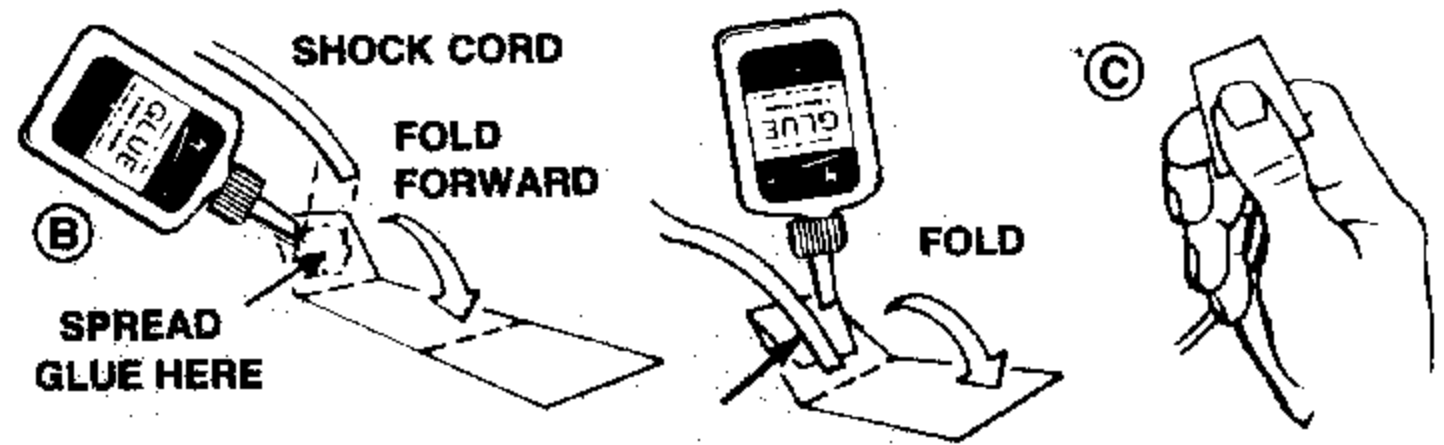
7.

- Apply a bead of glue along a fin-body joint. Pull your finger along the joint to smooth the glue and to remove any excess. Repeat this to both sides of each fin-body joint and to the launch lug-body joint. Place rocket in horizontal position as in step 5 and allow glue to dry.



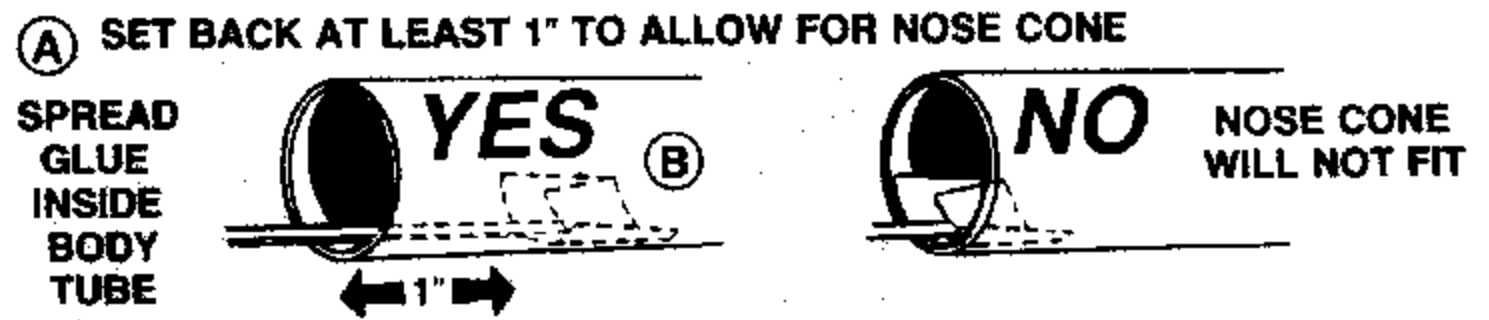
8.

- A. Cut shock cord mount from front of instructions.
- B. Crease on dotted lines by folding. Spread glue on section 1 and lay end of shock cord into glue. Fold over and apply glue to back of first section and exposed part of section 2. Lay shock cord as shown and fold mount over again.
- C. Clamp unit together with fingers until glue sets.



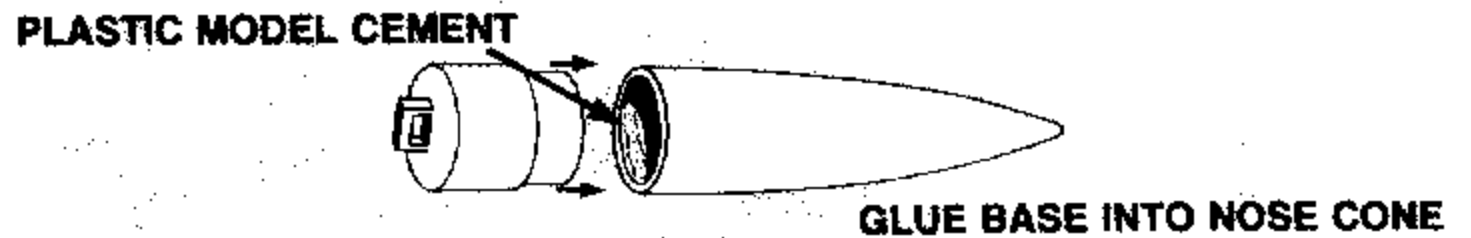
9.

- A. Apply glue to inside front of body tube to cover an area no less than 1 inch to 2 inches from end. The glued area should be same size as shock cord mount.
- B. Press mount firmly into glue.



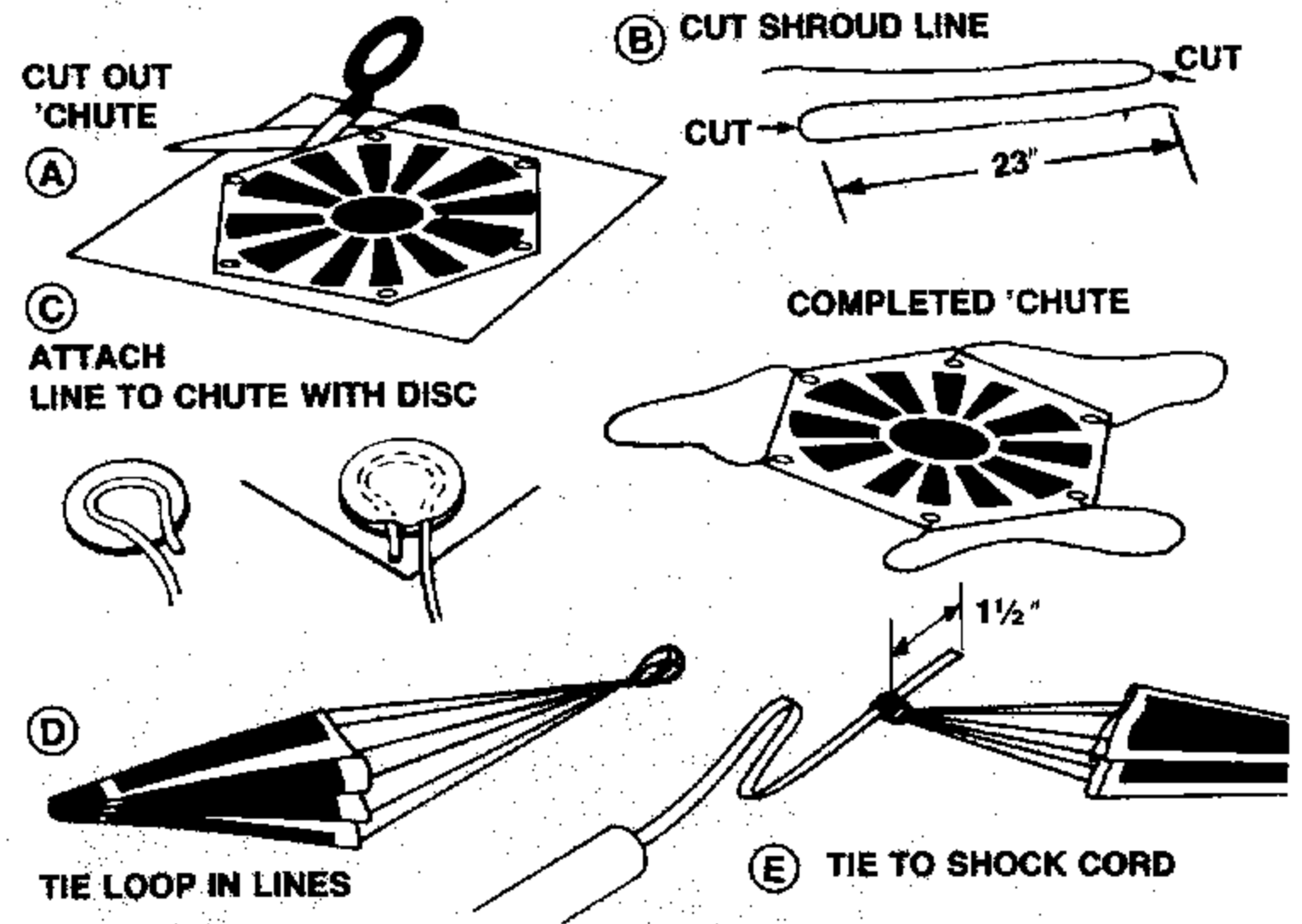
10.

- A. Run a knife blade around the inside of the nose cone to remove any chrome material that might be inside.
- B. Apply a film of plastic model cement around the inside of the nose cone and push base into place. Nose cone will not be attached to rocket until after painting.



11.

- A. Cut out parachute on edge lines.
- B. Cut three 23 inch lengths of shroud line.
- C. Form small loops with shroud line ends and press onto sticky side of tape discs. Attach tape discs with line ends to top of parachute as shown. Firmly press tape discs into place until both tape discs and parachute material are molded around shroud line loops.
- D. Hold the 'chute at its center point and pull shroud lines tight. Tie the free ends to the shroud lines into a small loop.
- E. Insert the end of the shock cord through the loop. Slide the shroud line loop along the shock cord until it is about 1 1/2 inches from the end. Tie shock cord around loop to keep 'chute in place. Push 'chute and shock cord into body.



12. FINISHING THE MODEL

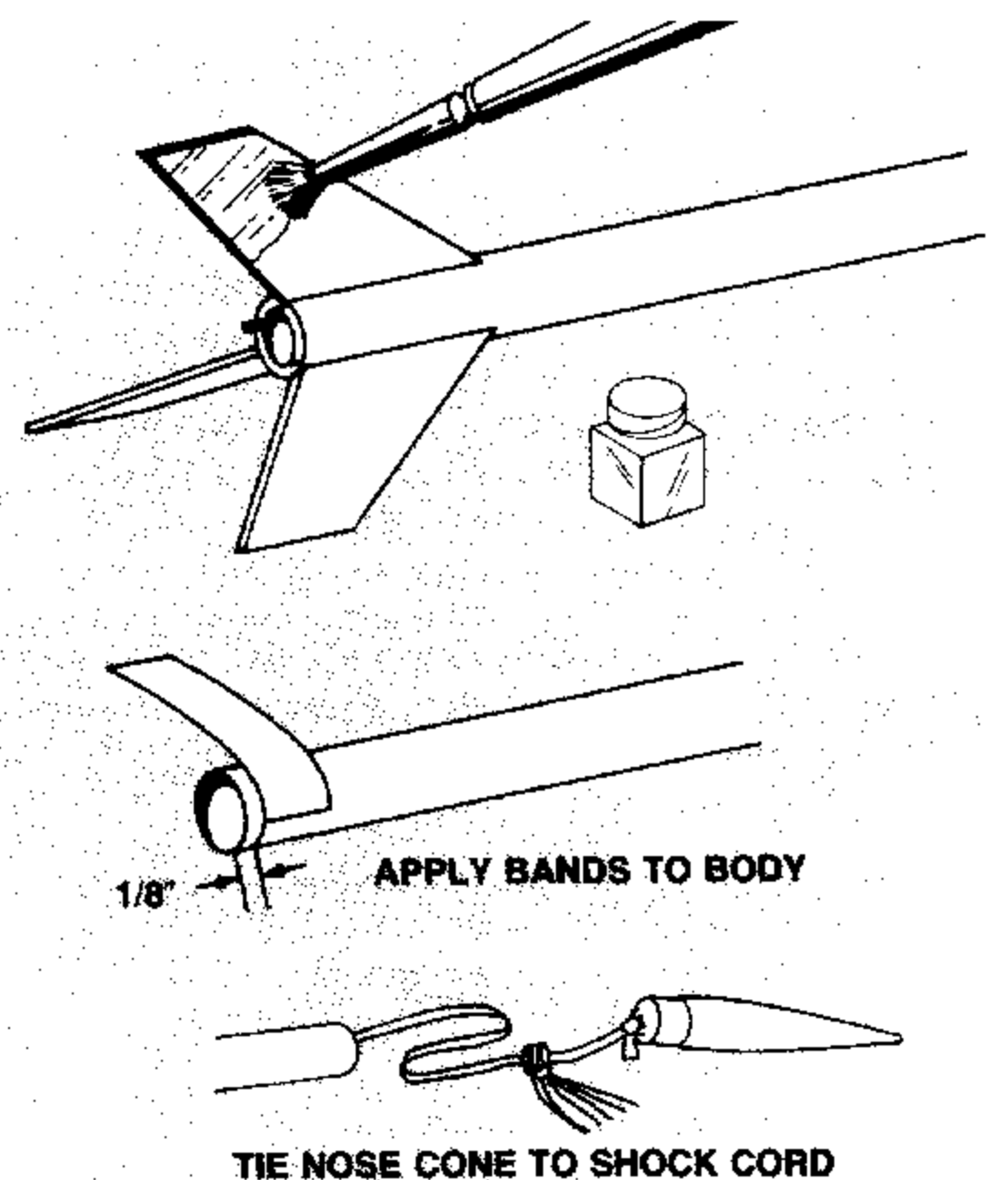
Apply a coat of sanding sealer to the balsa fins. Let sealer dry, then lightly sand. Repeat sealing and sanding steps until balsa grain lines are filled.

Gloss white and fluorescent red-orange enamel paint are required. These paints are available at most hobby and toy stores in both bottles and aerosol spray cans.

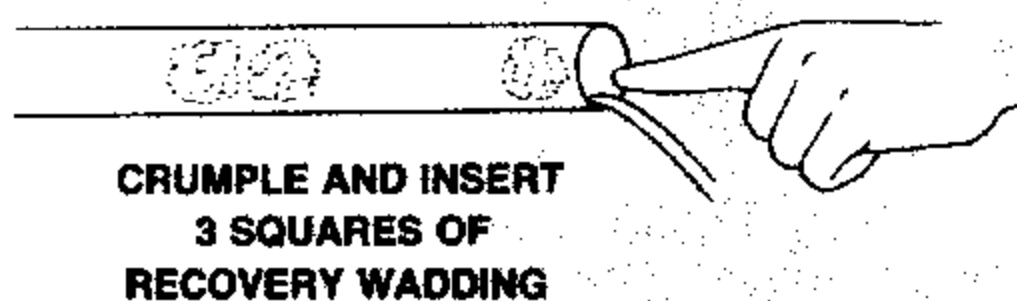
Roll a newspaper tightly and insert into front of body to serve as a holder for painting. Paint the rocket white. The white is necessary to provide a base coat for fluorescent paint. Allow the white to dry completely, then paint red-orange.

The self-adhesive decals may be applied only after the paint is thoroughly dry. Cut the two body bands and the name stripe from the silver sheet. Use a ruler as a guide and cut just inside the black lines. Mark the body 1/8 inch from the top. Wrap the body marking guide around the body, tape ends together, and use the top edge as a guide to draw a light pencil line around tube at the mark. Slide guide down the body so it is out of the way. Peel backing material from one of the body bands. Beginning at one edge, carefully wrap the band around the body. Do not press the material down hard. If the band is not quite straight, remove and try again. Once the band is correctly positioned, press it firmly against body. Slide the guide up and draw another line around the body 1/8 inch below the first band. Apply the second band in the same manner. The name stripe is applied to the body between two fins, but not to the side on which the launch lug was glued. The top of the stripe should slightly overlap the bottom of the second band.

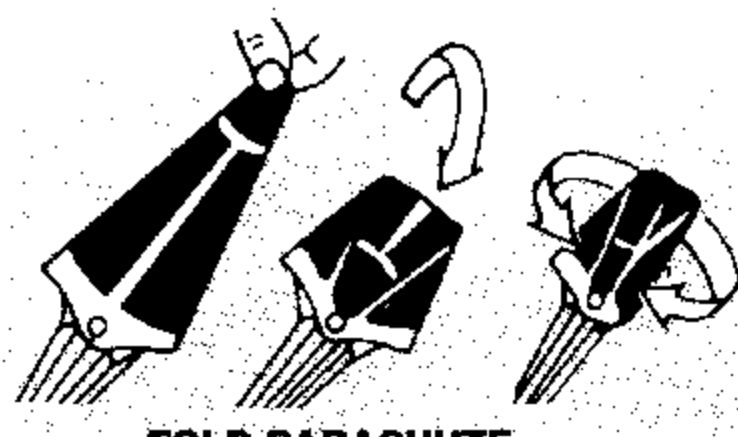
Pull the free end of the shock cord from the body and tie it to the nose cone eyelet. Tie a double knot. If desired, a protective coat of clear gloss enamel may be sprayed over the finished model.



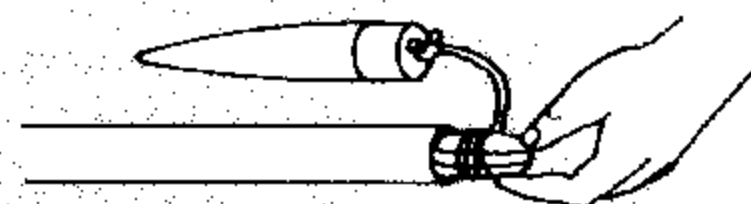
ROCKET PREFLIGHT



CRUMPLE AND INSERT
3 SQUARES OF
RECOVERY WADDING

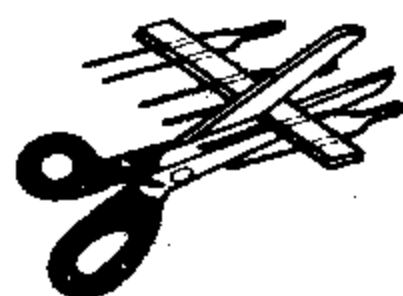


FOLD PARACHUTE

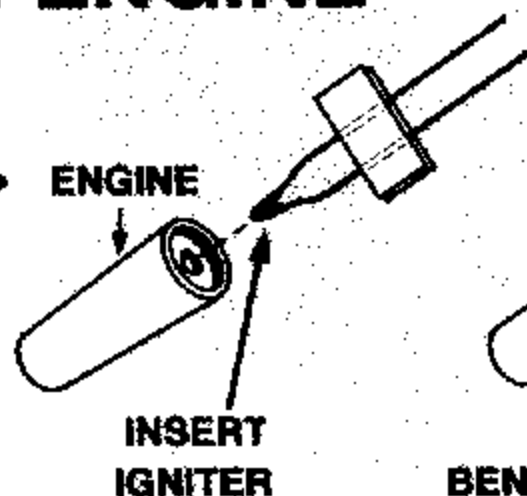


WRAP LINES AROUND 'CHUTE. INSERT
'CHUTE IN ROCKET.
SOCKET NOSE CONE INTO BODY.

PREPARE ENGINE

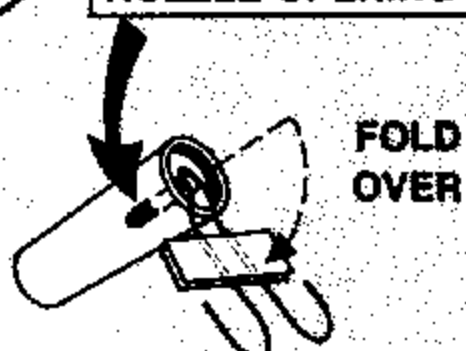


SEPARATE
THE IGNITERS



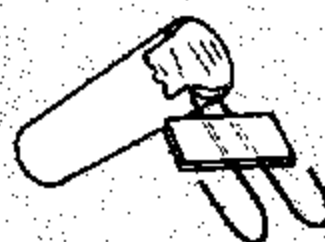
ENGINE
INSERT
IGNITER

IGNITER TIP MUST TOUCH
PROPELLANT DEEP INSIDE
NOZZLE OPENING

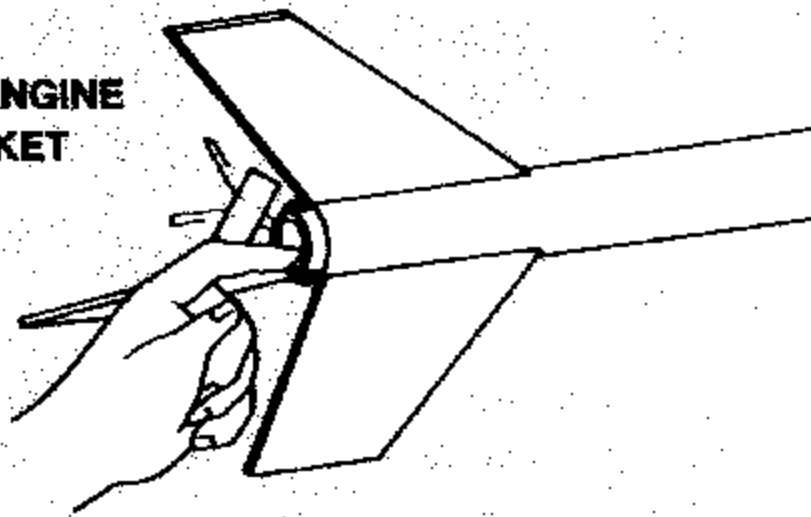


BEND LEADS IN U SHAPES

FOLD
OVER



INSTALL ENGINE
IN ROCKET



HOOK MUST LATCH OVER END OF ENGINE

LAUNCH SUPPLIES

To launch your rocket you will need the following items:

- Estes Electrical Launch System
 - Estes Recovery Wadding No. 2274
 - Recommended Estes Engines: A8-3, B4-4, B6-4, B8-5, or C6-5.
- To become familiar with your rocket's flight pattern, use an A8-3 engine for your first flight.

Use only Estes products to launch this rocket.

FLYING YOUR ROCKET

Choose a large field away from power lines, tall trees, and low flying aircraft. Try to find a field at least 250 feet square. The larger the launch area, the better your chance of recovering your rocket. Football fields and playgrounds are great.

Launch area must be free of dry weeds and brown grass.

Launch only during calm weather with little or no wind and good visibility.

Don't leave parachute packed more than a minute or so before launch during cold weather [colder than 40° Fahrenheit (4° Celsius)].

Parachute may be dusted with talcum powder to avoid sticking.

MISFIRES

Failure of the model rocket engine to ignite is nearly always caused by incorrect igniter installation. An Estes igniter will function properly even if the coated tip is chipped. However, if the coated tip is not in direct contact with the engine propellant, it will only heat and not ignite the engine.

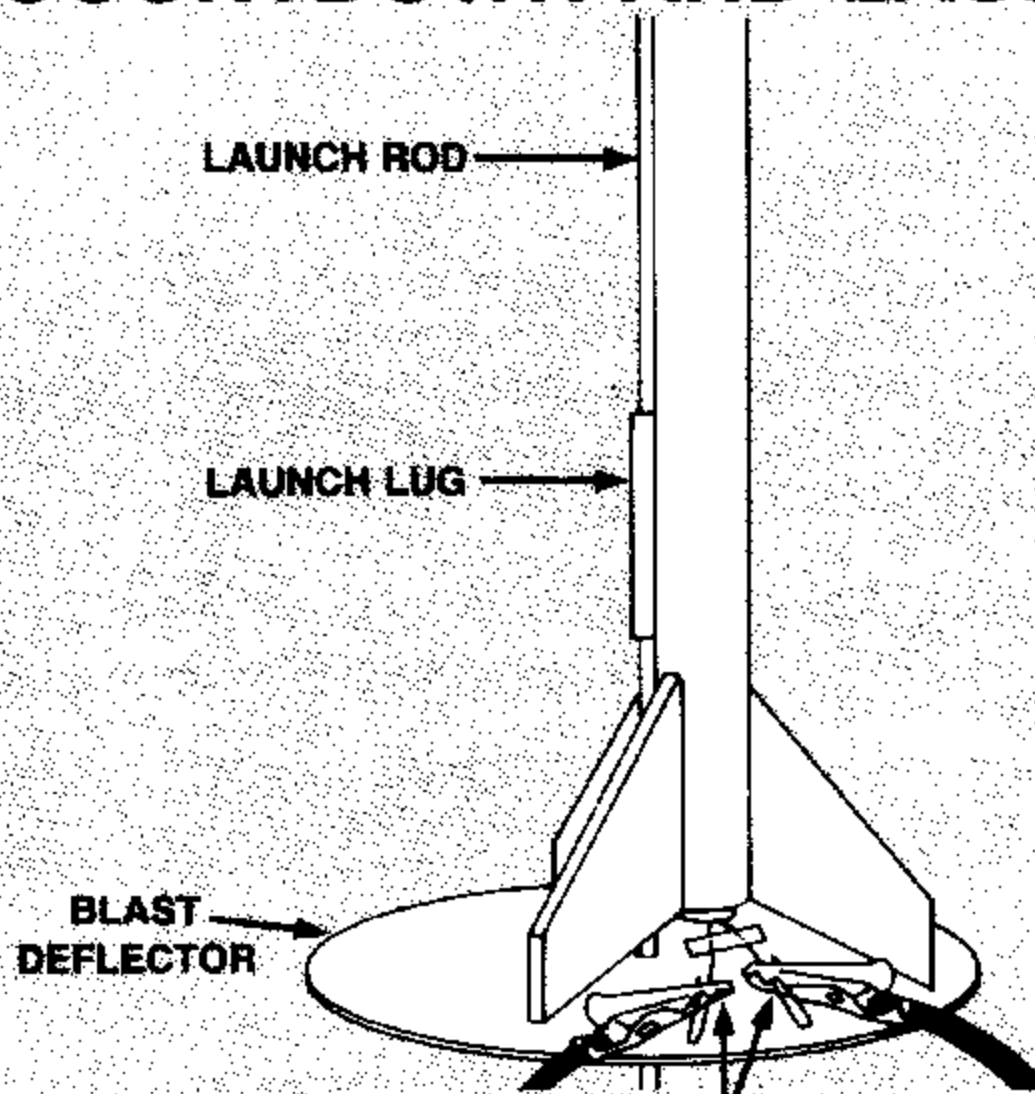
When an ignition failure occurs, remove the safety key from the launch control system and wait one minute before approaching the rocket. Remove the expended igniter from the engine and install a new one. Be certain the coated tip is in direct contact with the engine propellant, then tape the igniter leads firmly to base of engine as illustrated above. Repeat the countdown and launch procedure.

FOR YOUR SAFETY AND ENJOYMENT

Always follow the NAR-HIA* MODEL ROCKETRY SAFETY CODE while participating in any model rocketry activities.

*National Association of Rocketry-The Hobby Industry of America

COUNTDOWN AND LAUNCH



LAUNCH ROD

LAUNCH LUG

BLAST
DEFLECTOR

MICRO-CLIPS MUST NOT TOUCH
BLAST DEFLECTOR OR EACH OTHER

- 10 REMOVE SAFETY KEY to disarm the launch controller.
- 9 Remove safety cap and slide launch lug over launch rod to place rocket on launch pad. Make sure the rocket slides freely on the launch rod.
- 8 Attach micro-clips to the igniter wires. Arrange the clips so they do not touch each other or the metal blast deflector. Attach clips as close to protective tape on igniter as possible.
- 7 Move back from your rocket as far as launch wire will permit (at least 15 feet).
- 6 INSERT SAFETY KEY to arm the launch controller.

Give audible countdown 5...4...3...2...1

LAUNCH!!!

PUSH AND HOLD LAUNCH BUTTON UNTIL ENGINE IGNITES

Remove safety key—Replace cap on launch rod.