



ESTES INDUSTRIES (6-96) 82119
1295 H Street
Penrose, CO 81240 EST 2137

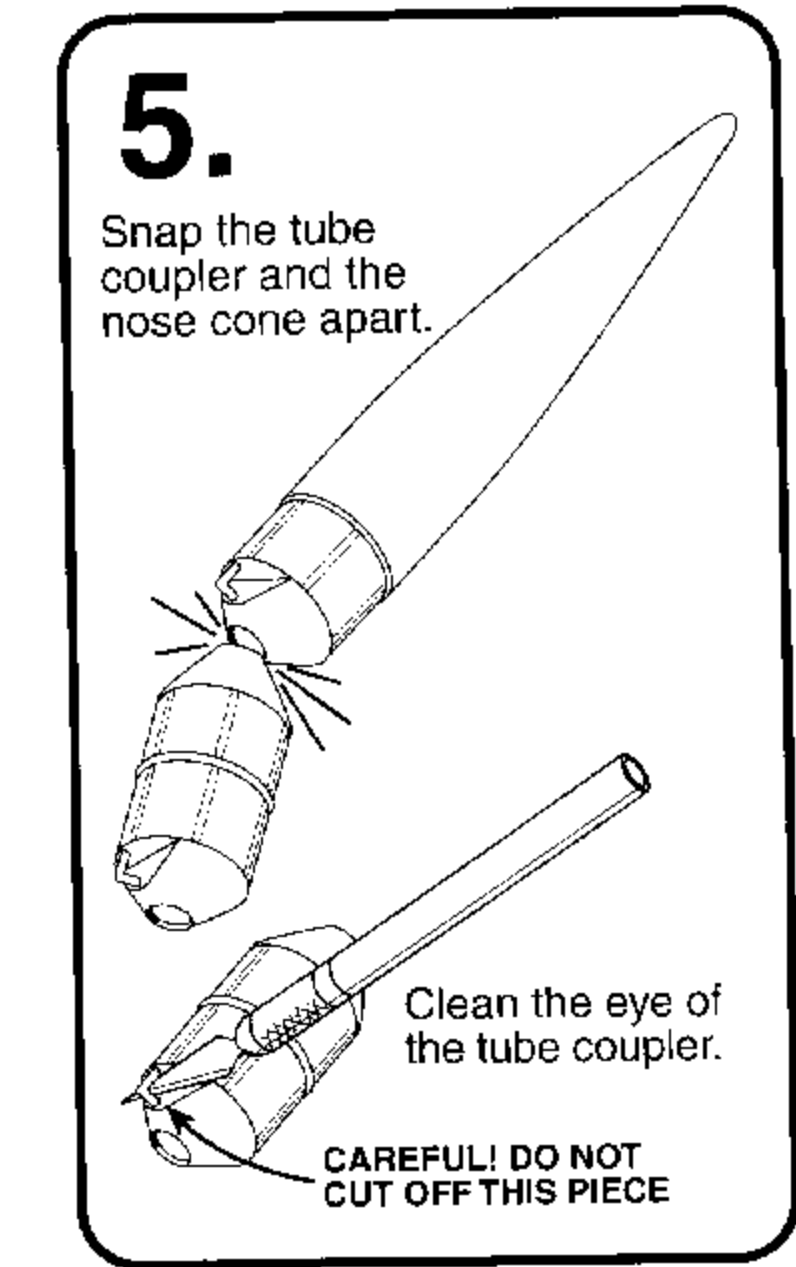
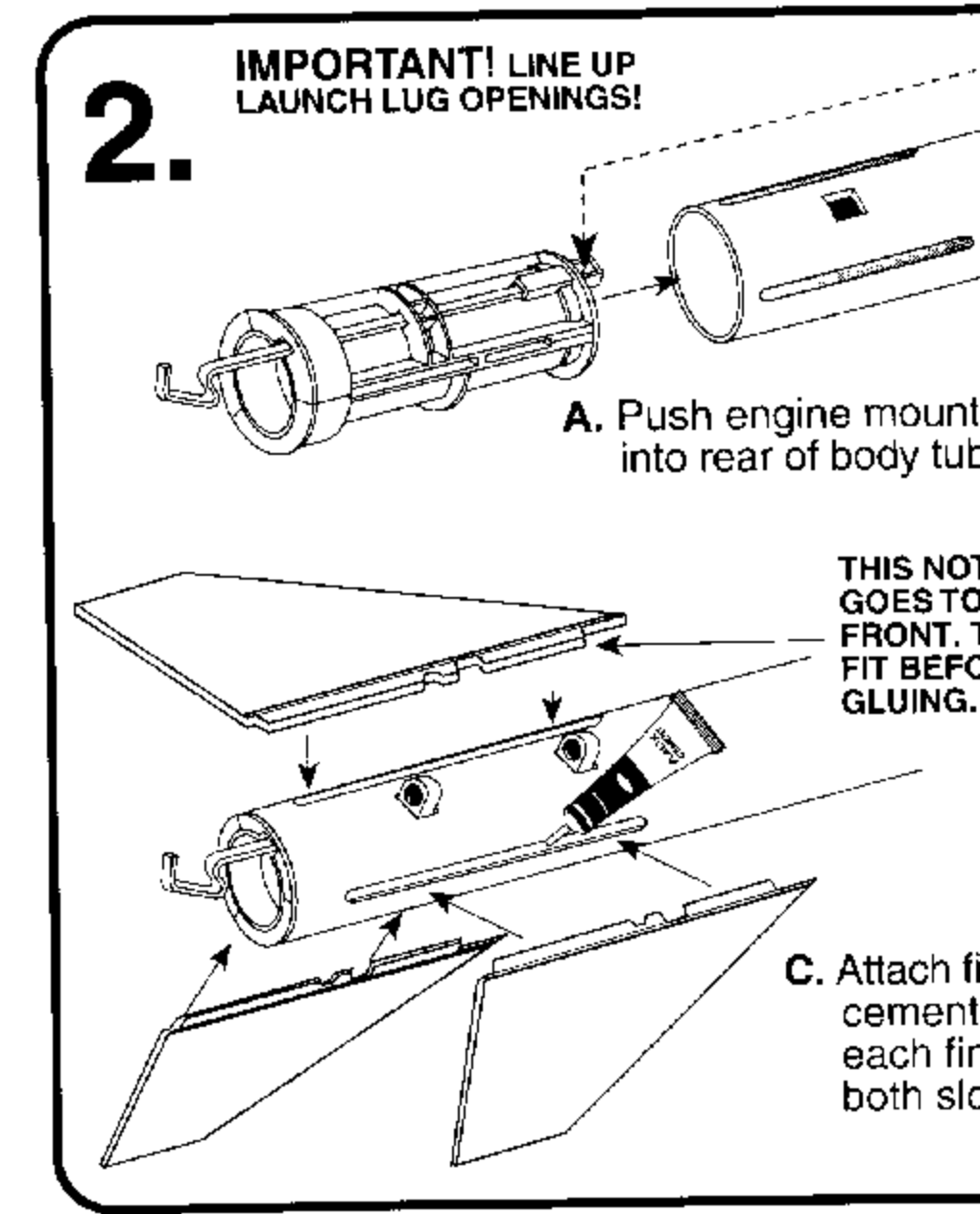
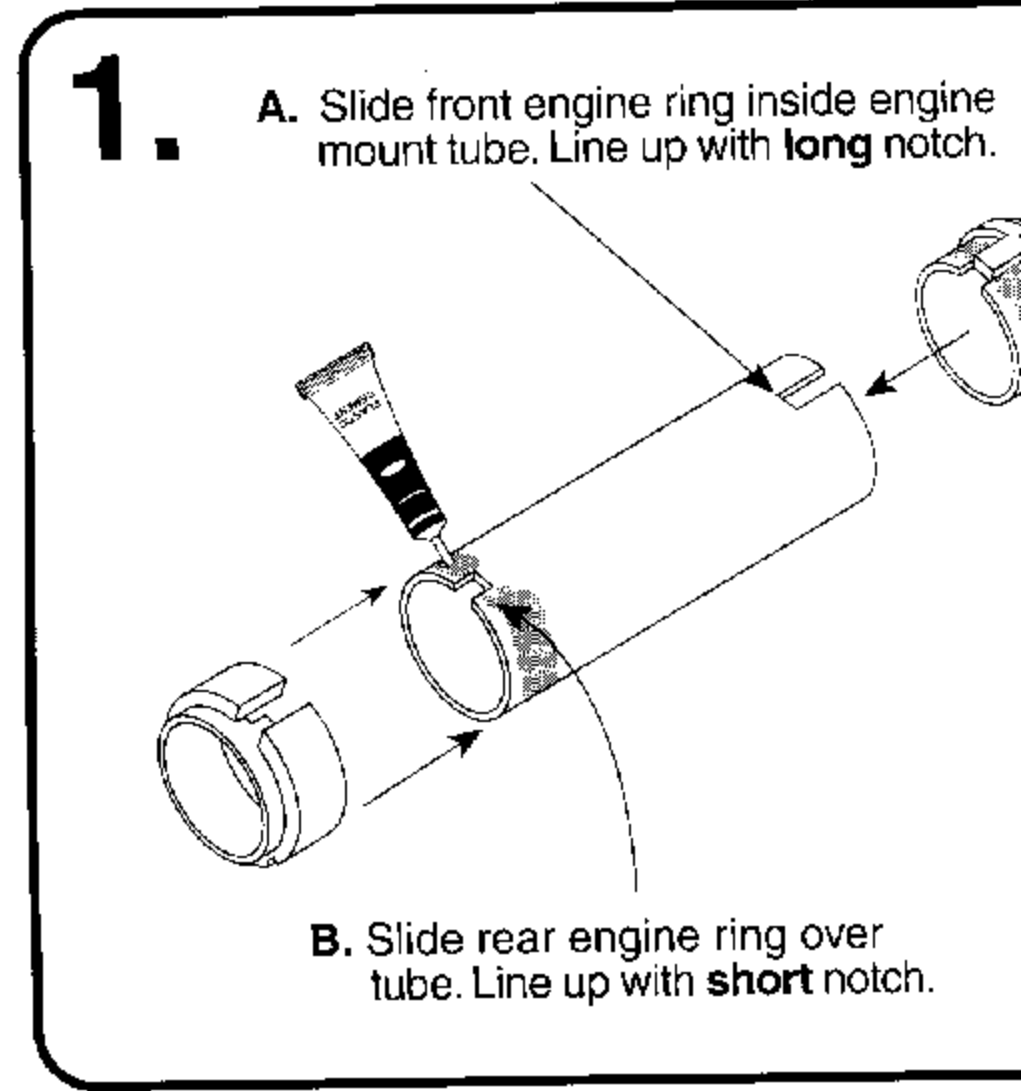
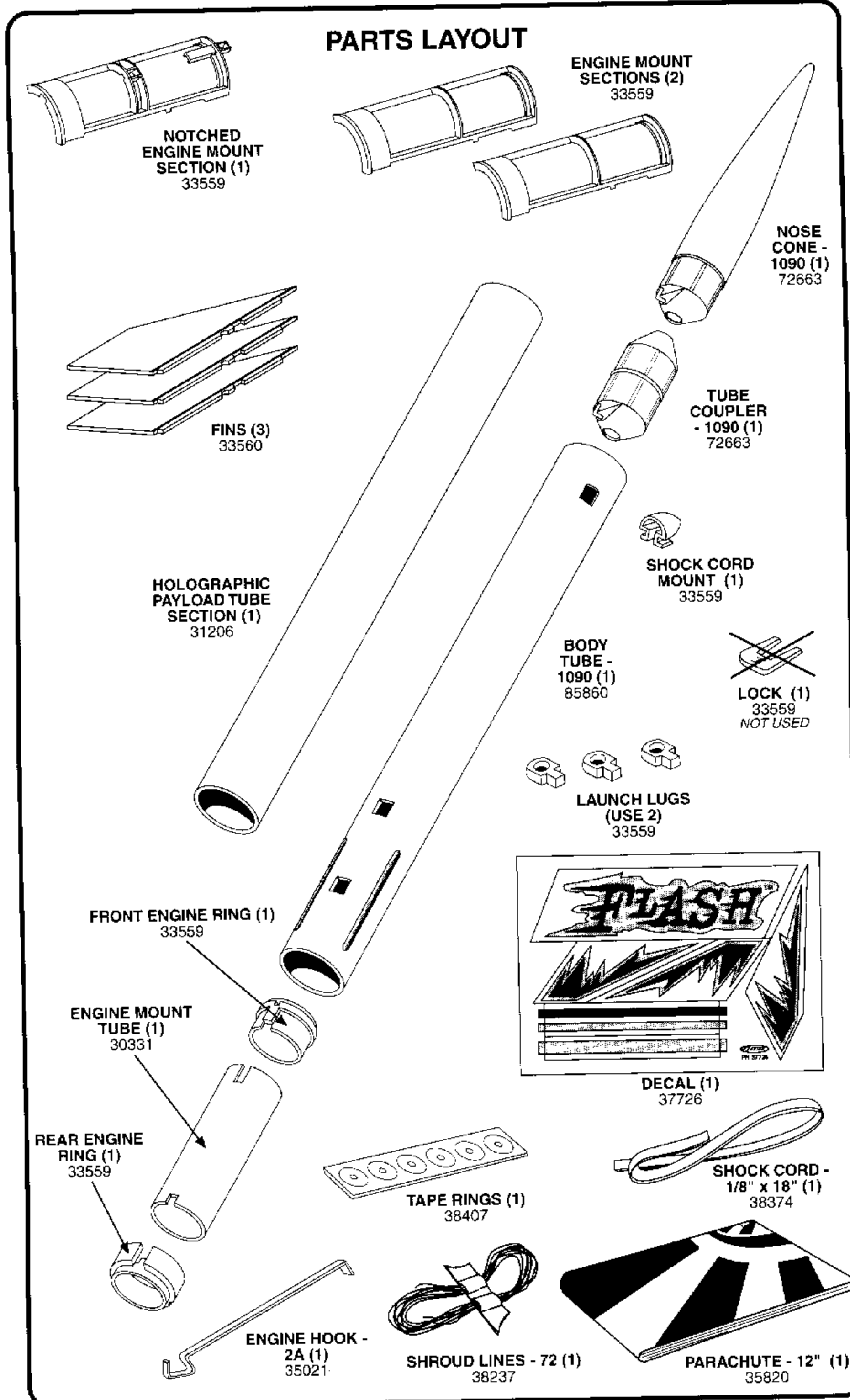


FLASH™ INSTRUCTIONS

TOOLS REQUIRED:

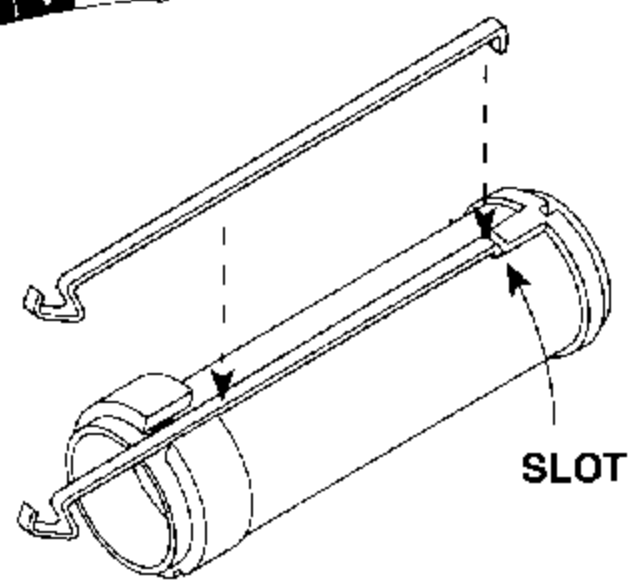
SCISSORS, PENCIL, HOBBY KNIFE, TUBE-TYPE PLASTIC CEMENT

ALL GLUED AREAS ARE SHADED IN GRAY

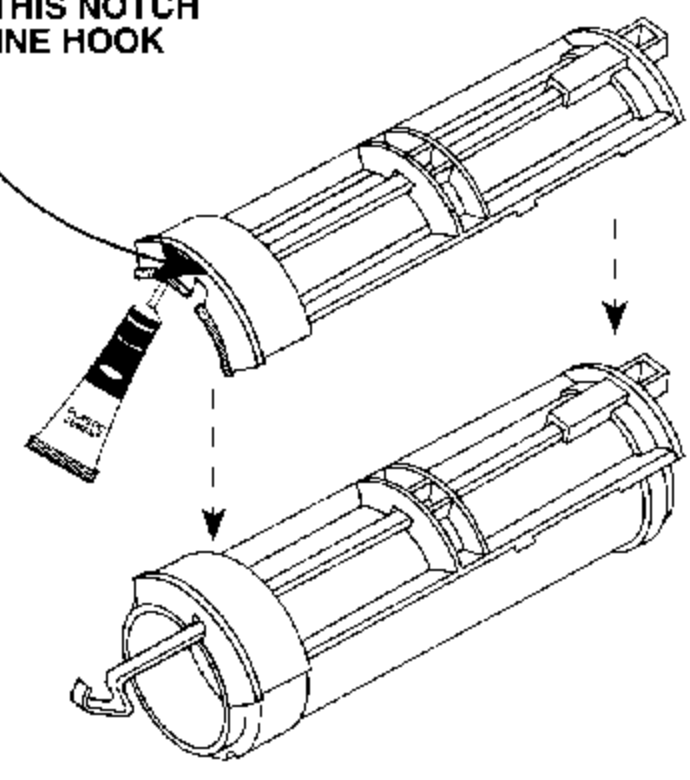


engine notch.

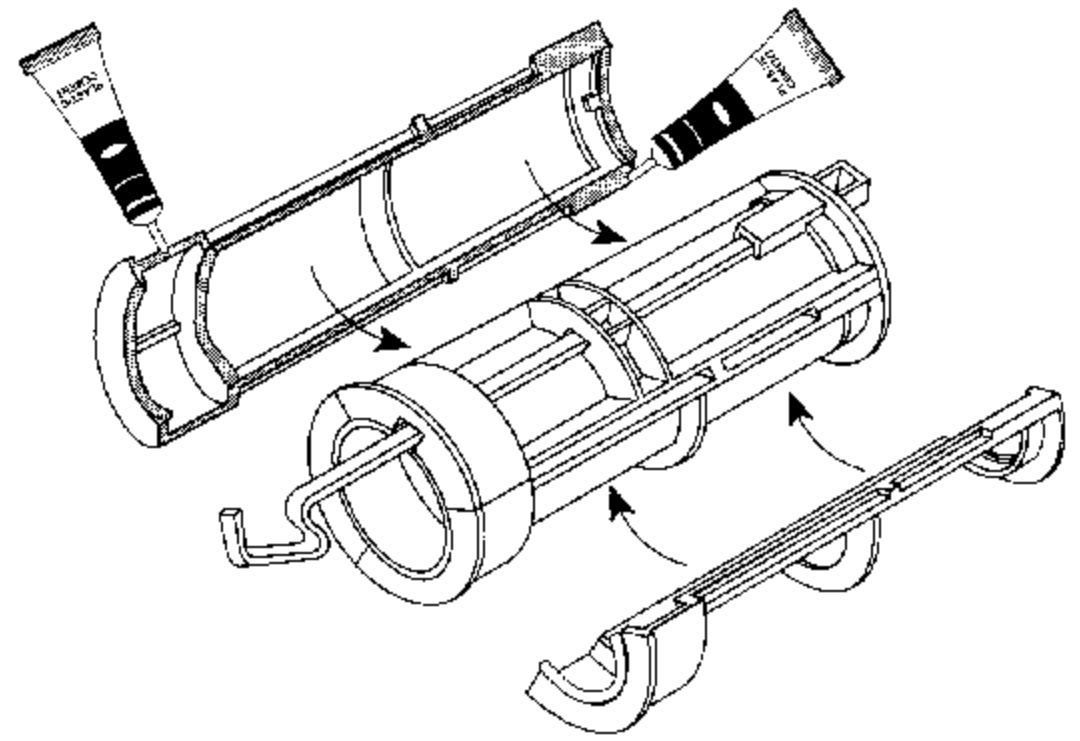
IMPORTANT! THIS NOTCH GOES OVER ENGINE HOOK



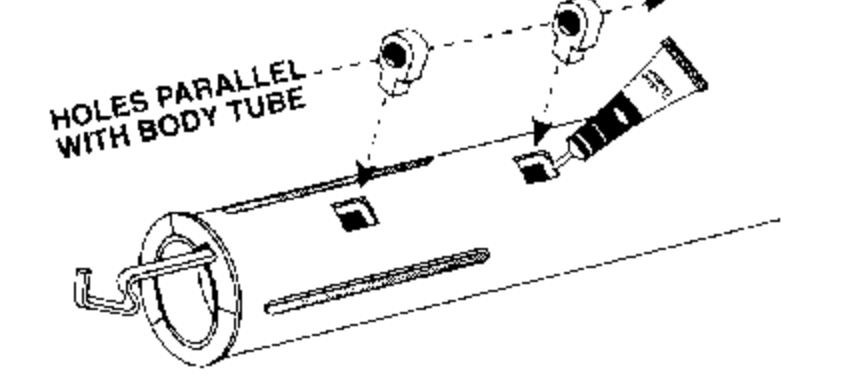
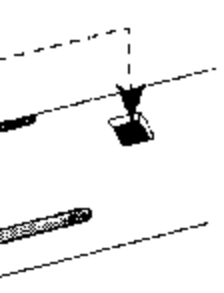
C. Attach engine hook. Push front tab through slot in tube.



D. Apply cement to underside of notched engine mount section and attach.

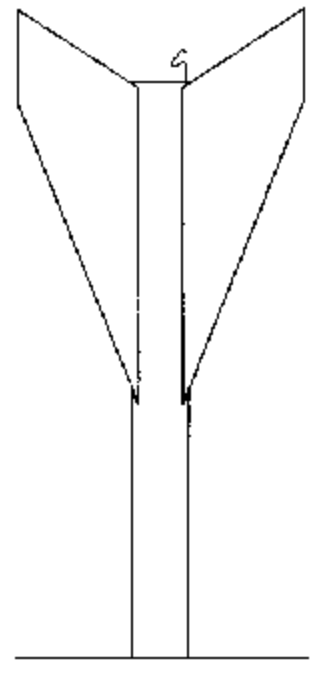


E. Now attach the remaining sections with cement as shown.



B. Attach launch lugs with plastic cement.

NOTCH ES TO ONT. TEST BEFORE UING.

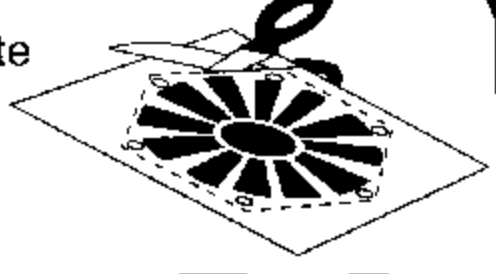


D. Set rocket on table as shown so fins will stay straight while cement sets.

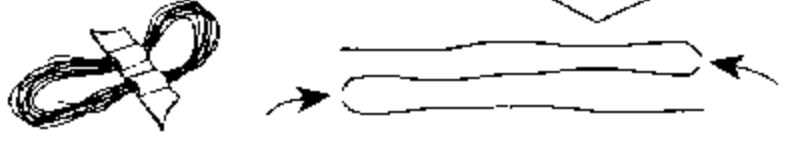
ach fins with plastic ment. Make sure ch fin is seated in h slots.

3.

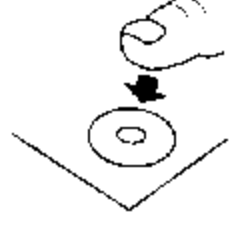
A. Cut out parachute on dotted line.



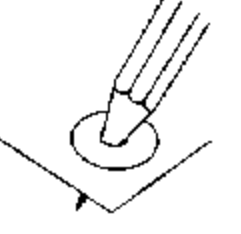
B. Find shroud line material. Remove tape. Using all of the string, fold and cut into three equal lengths.



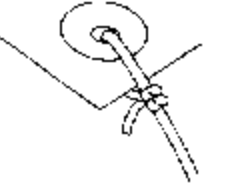
C. Press tape rings onto marks on corners.




D. Punch holes with sharp pencil.



E. Tie lines off.




COMPLETED PARACHUTE

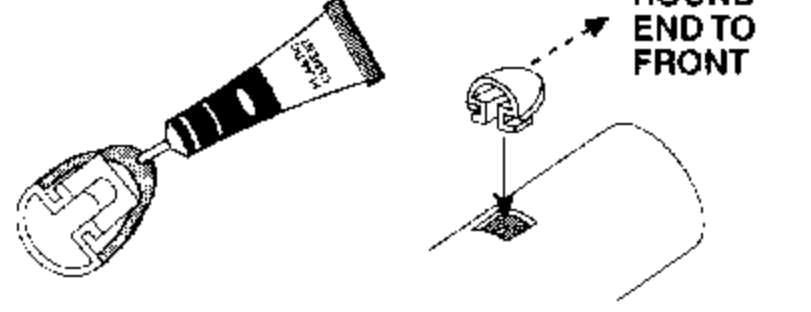


4.

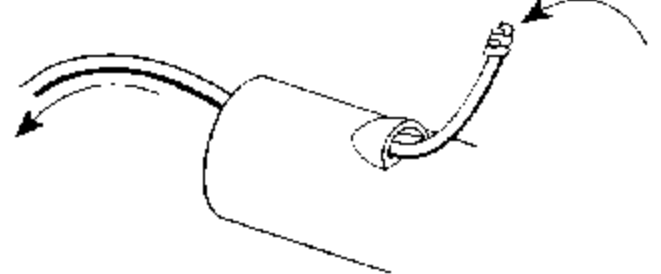
A. Locate elastic shock cord and shock cord mount.



B. Apply plastic cement to the bottom of the shock cord mount as shown. Attach to body tube through square hole.

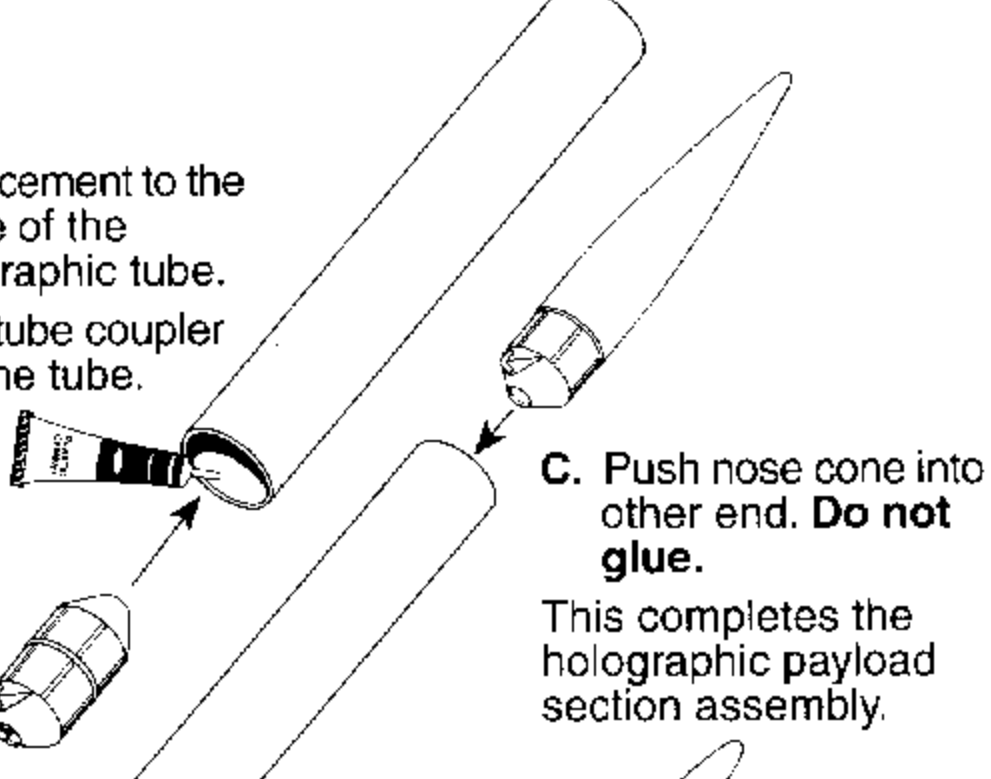


C. Tie double knot in end of shock cord. Thread other end through until knot is tight against shock cord mount.

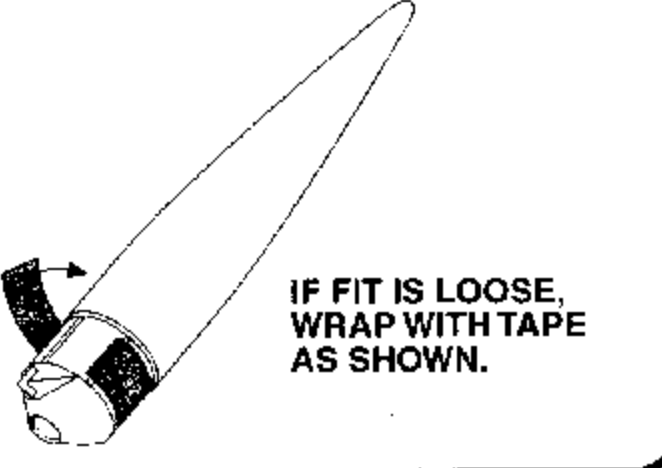


C. Push nose cone into other end. Do not glue.

This completes the holographic payload section assembly.

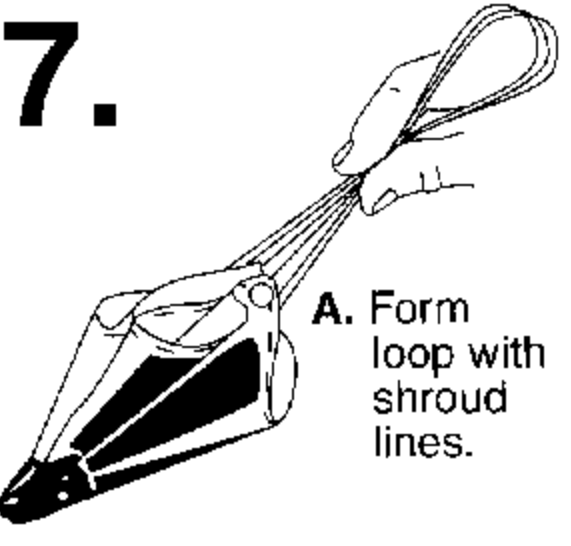


IF FIT IS LOOSE, WRAP WITH TAPE AS SHOWN.

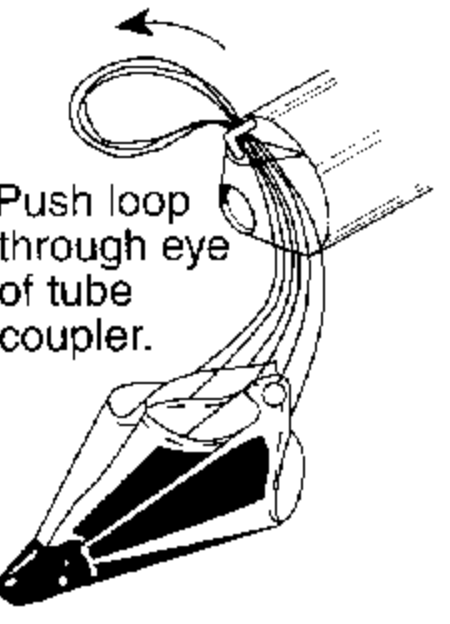


7.

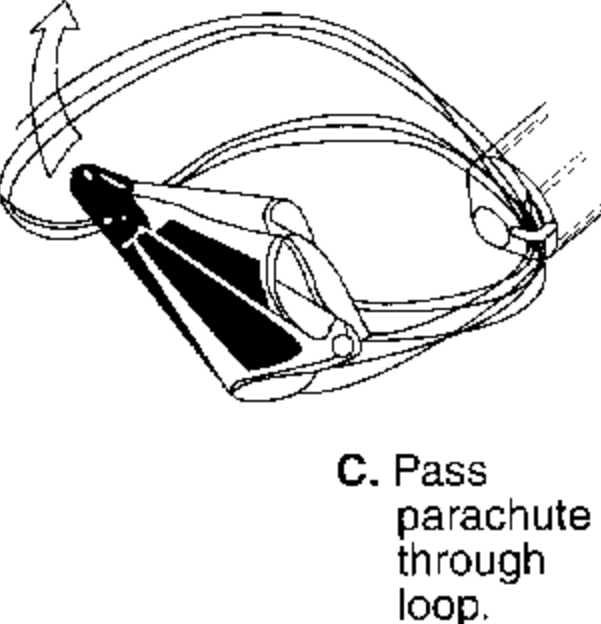
A. Form loop with shroud lines.



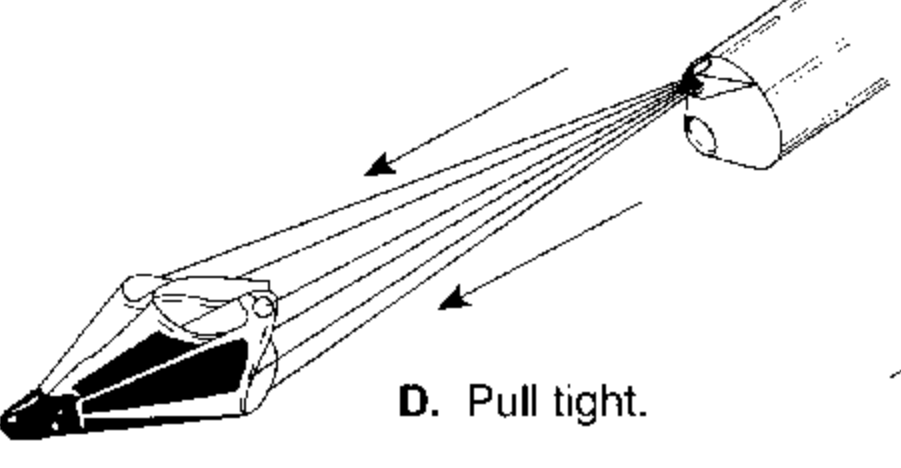
B. Push loop through eye of tube coupler.



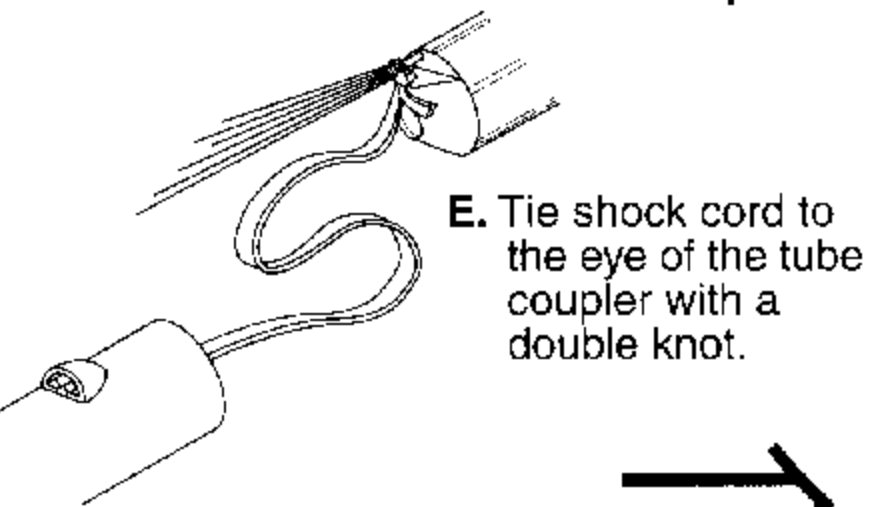

C. Pass parachute through loop.



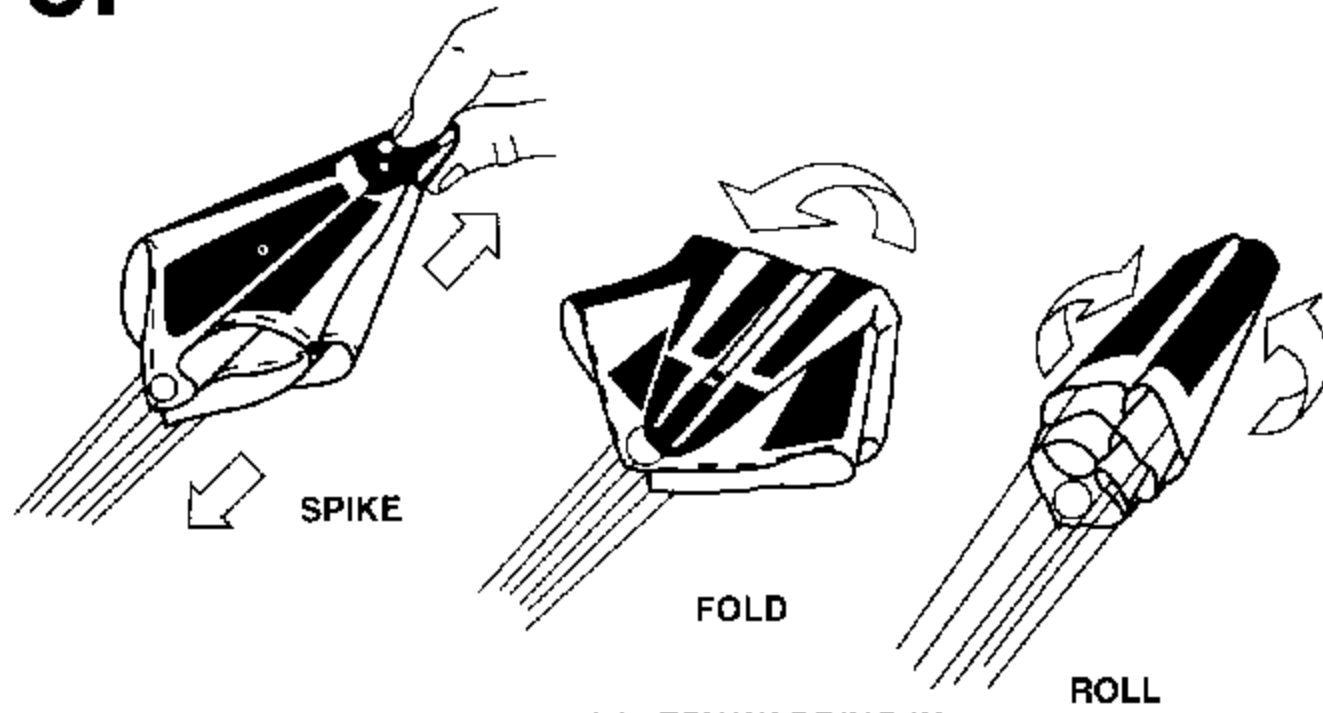
D. Pull tight.



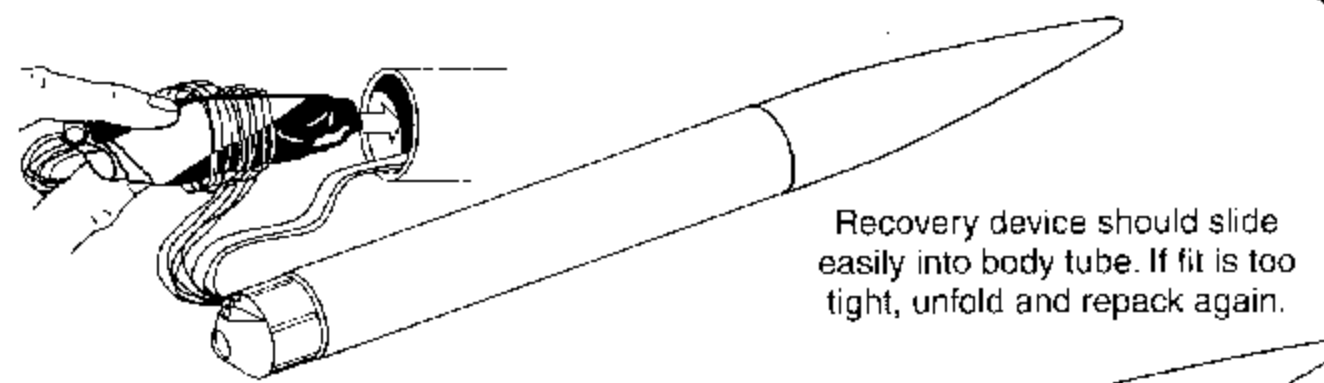
E. Tie shock cord to the eye of the tube coupler with a double knot.

8. PACKING PARACHUTE



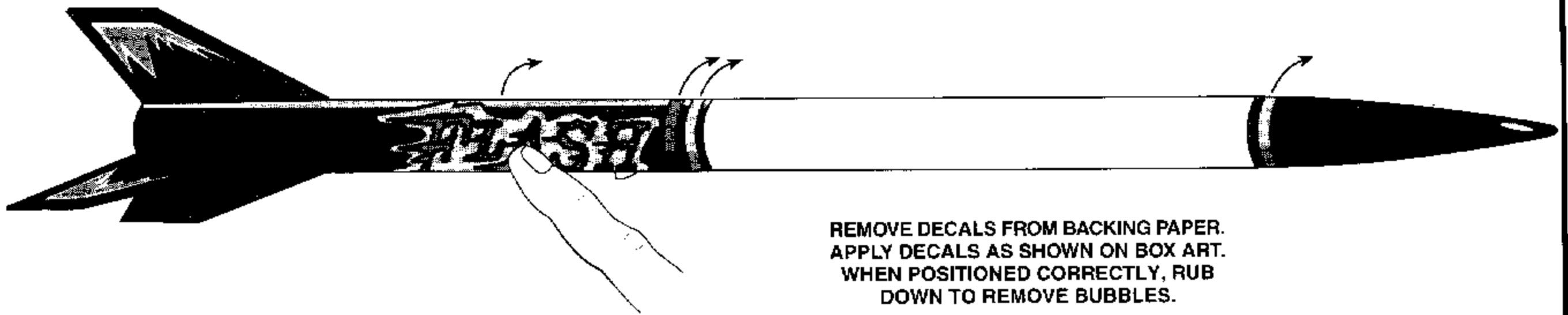
DO NOT FORGET TO PACK RECOVERY WADDING IN THE ROCKET BEFORE FLYING - SEE STEP 10



WRAP LINES LOOSELY AROUND 'CHUTE. INSERT PARACHUTE INTO ROCKET

Recovery device should slide easily into body tube. If fit is too tight, unfold and repack again.

9. APPLYING DECALS

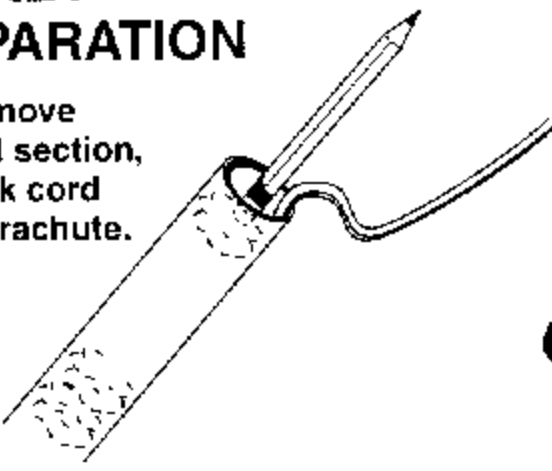


REMOVE DECALS FROM BACKING PAPER. APPLY DECALS AS SHOWN ON BOX ART. WHEN POSITIONED CORRECTLY, RUB DOWN TO REMOVE BUBBLES.

10. FLYING YOUR ROCKET

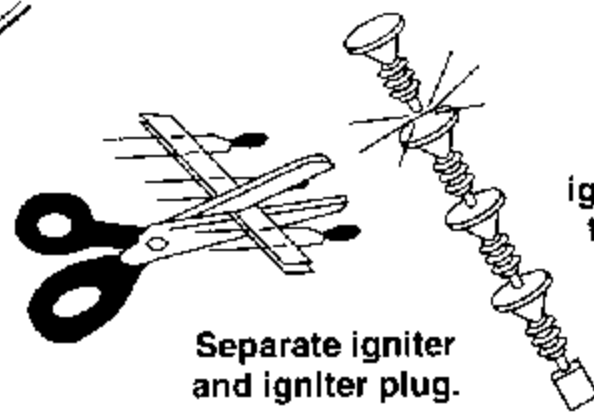
ROCKET PREPARATION

Remove payload section, shock cord and parachute.

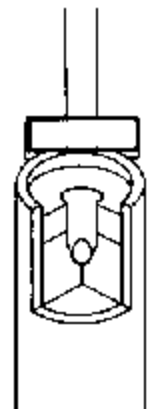


Crumple and insert three squares of recovery wadding. Repack and insert parachute, shock cord and payload section.

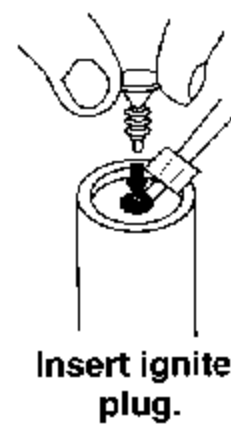
ENGINE PREPARATION



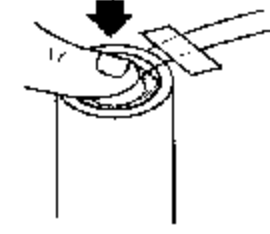
Separate igniter and igniter plug.



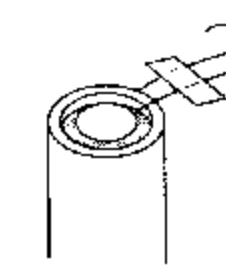
Hold engine upright, drop in igniter. Igniter must touch propellant.



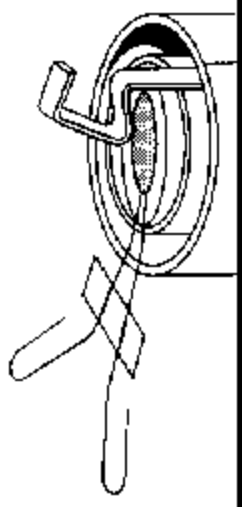
Insert igniter plug.



Firmly push all the way in.



Bend igniter wires back.



Insert engine into rocket.

LAUNCH SUPPLIES

To launch your rocket, you will need the following:

- Launch Pad (Estes Porta-Pad® II)
- Launch Controller (Estes Electron Beam®)
- Recommended Estes Engines: A8-3, B4-4, B6-4, B6-6, C6-5 or C6-7. For your first flight, use an A8-3 engine to become familiar with your rocket's flight pattern.
- Recovery Wadding (EST 302274)
- Igniters and Igniter Plugs (included with Estes engines)

Use only Estes products to launch this rocket.

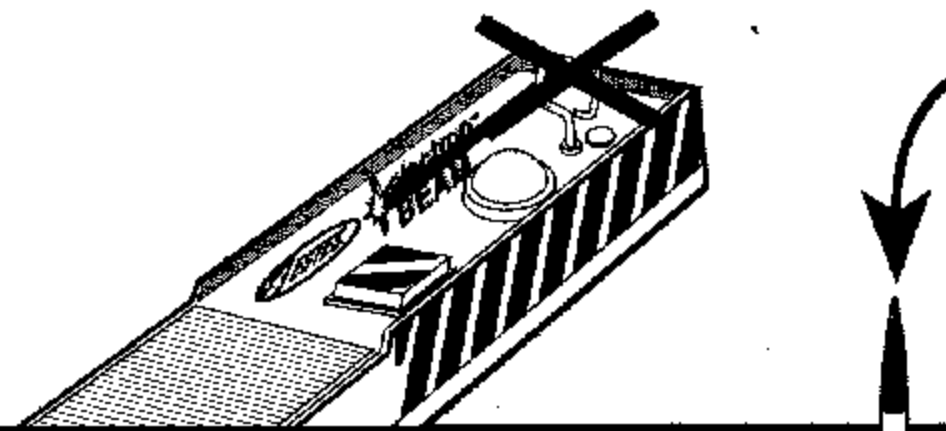
ENGINE	PROJECTED ALTITUDE	
	Feet	Meters
A8-3.....	150	45
B4-4/B4-6.....	400	122
B6-4/B6-6.....	435	132
C6-5/C6-7.....	980	300

TIPS FOR FLYING YOUR ROCKET

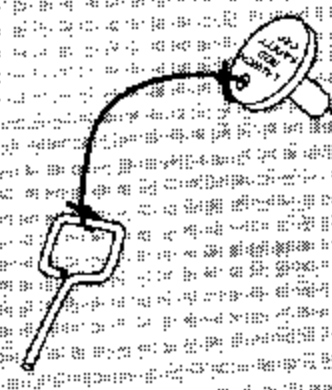
- Choose a large field away from power lines, buildings, tall trees, and low flying aircraft. Try to find a field at least 76 meters (250 feet) square. The larger the launch area, the better your chance of recovering your rocket.
- Launch area must be free of dry weeds and brown grass.
- Launch only during calm weather with little or no wind and good visibility.
- Don't leave parachute packed more than a minute or so before launch during cold weather (colder than 4° Celsius [40° Fahrenheit]). Parachute may be dusted with talcum or baby powder to avoid sticking.
- Always follow the National Association of Rocketry (NAR) MODEL ROCKETRY SAFETY CODE while participating in any model rocketry activities. The safety code is enclosed with this kit.

COUNTDOWN AND LAUNCH

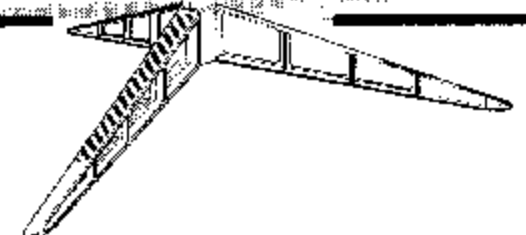
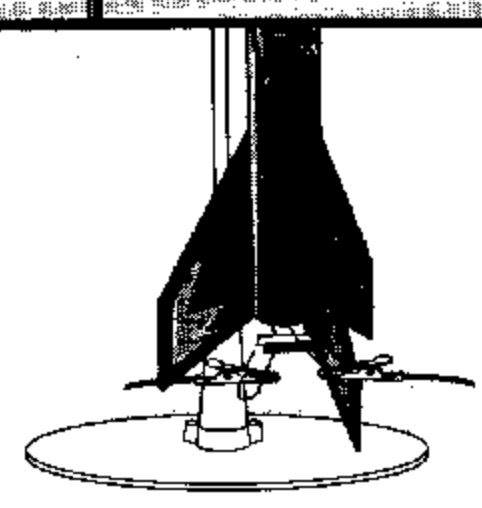
10... Safety key must not be in launch controller. The safety cap with safety key attached should already be on the launch rod.



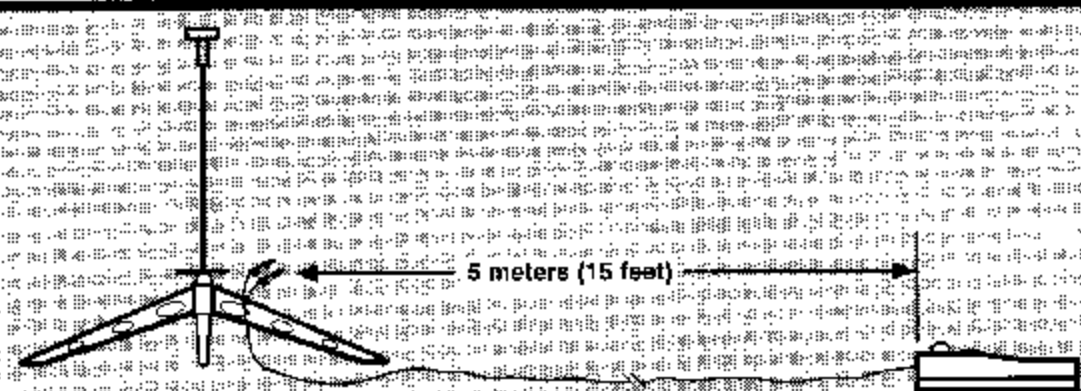
9... Remove safety cap from launch rod, slide launch lugs over rod. Make sure rocket slides freely and micro-clips are clean for good electrical contact.



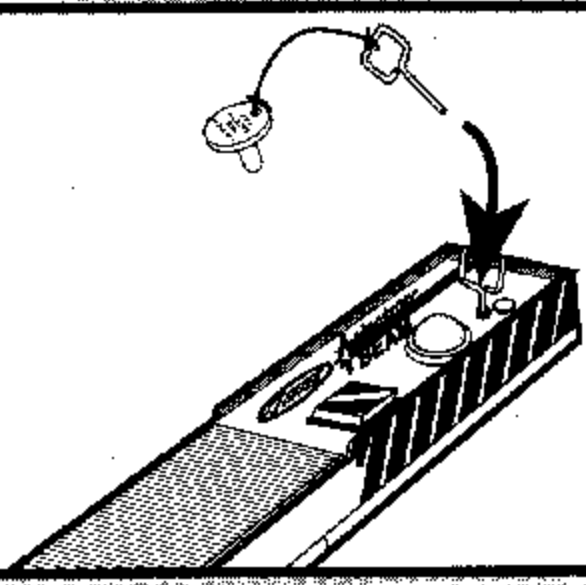
8... Attach micro-clips to the igniter wires. Arrange the clips so they do not touch each other or the metal blast deflector. Attach clips as close to protective tape on igniter as possible.



7... Move everyone back from your rocket as far as launch wire will permit (at least 5 meters - 15 feet).

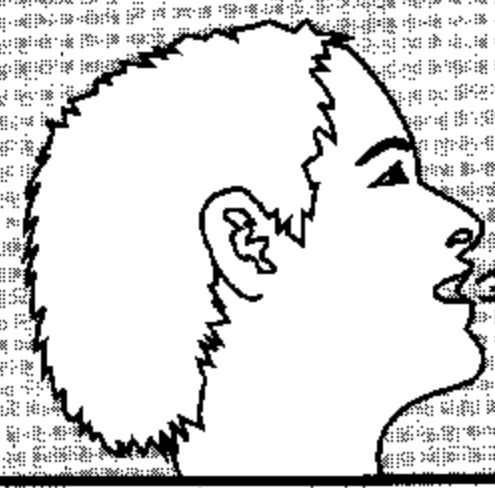


6... Insert safety key to arm the launch controller.



5... Start audible countdown.

4...3...2...1.....



LAUNCH!

Push and hold button until engine ignites.

For safety, immediately remove safety key from launch controller and replace safety cap on launch rod.

MISFIRES

When an ignition failure occurs, remove the safety key from the launch control system and wait one minute before approaching the rocket. Remove the expended igniter from the engine and install a new one. Be certain the coated tip is in direct contact with the engine propellant. Broken or chipped coating will not affect the performance of the igniter. Reinstall the igniter plug as illustrated previously. Repeat the countdown and launch procedure.