



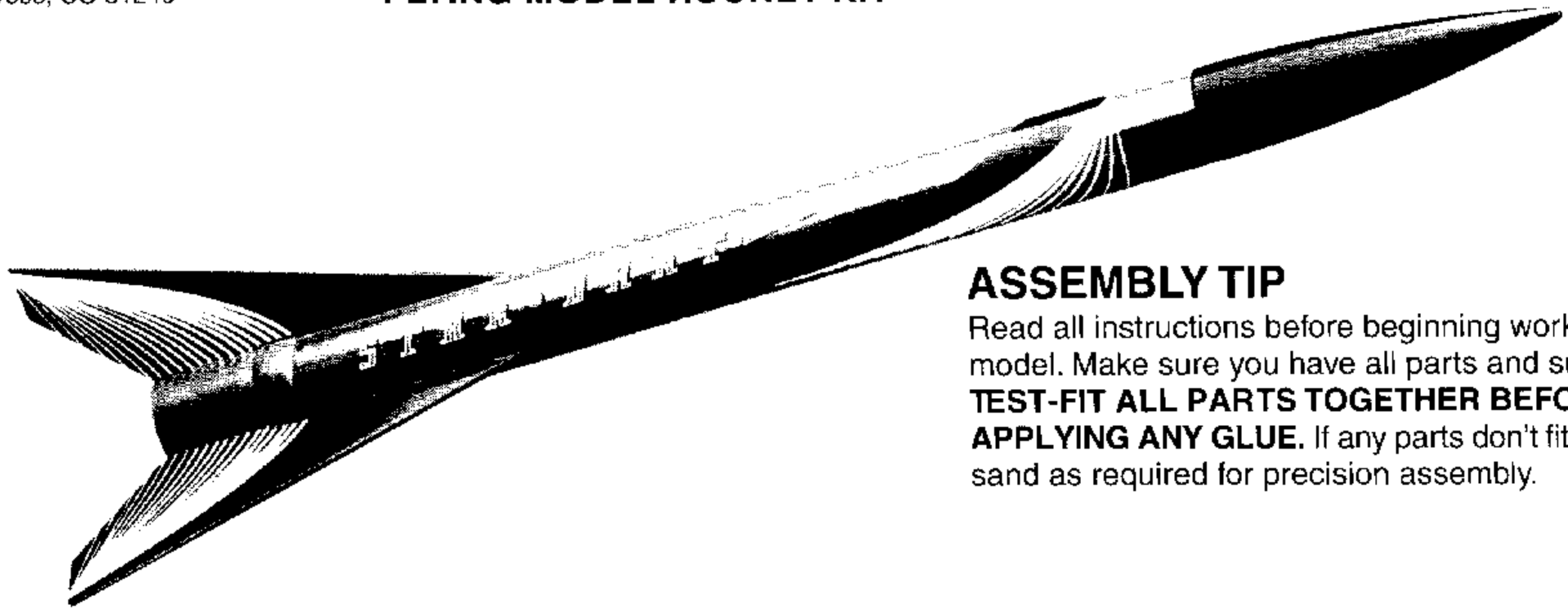
www.estesrockets.com

Estes Industries
1295 H Street
Penrose, CO 81240

STARBUCK™

FLYING MODEL ROCKET KIT

EST 2170

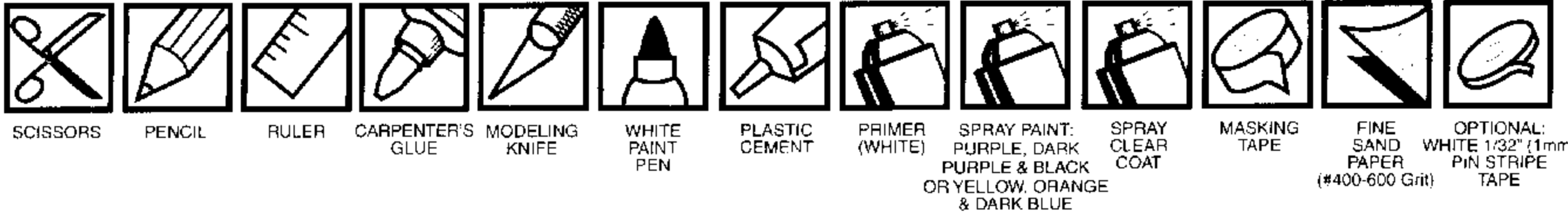


ASSEMBLY TIP

Read all instructions before beginning work on your model. Make sure you have all parts and supplies. **TEST-FIT ALL PARTS TOGETHER BEFORE APPLYING ANY GLUE.** If any parts don't fit properly, sand as required for precision assembly.

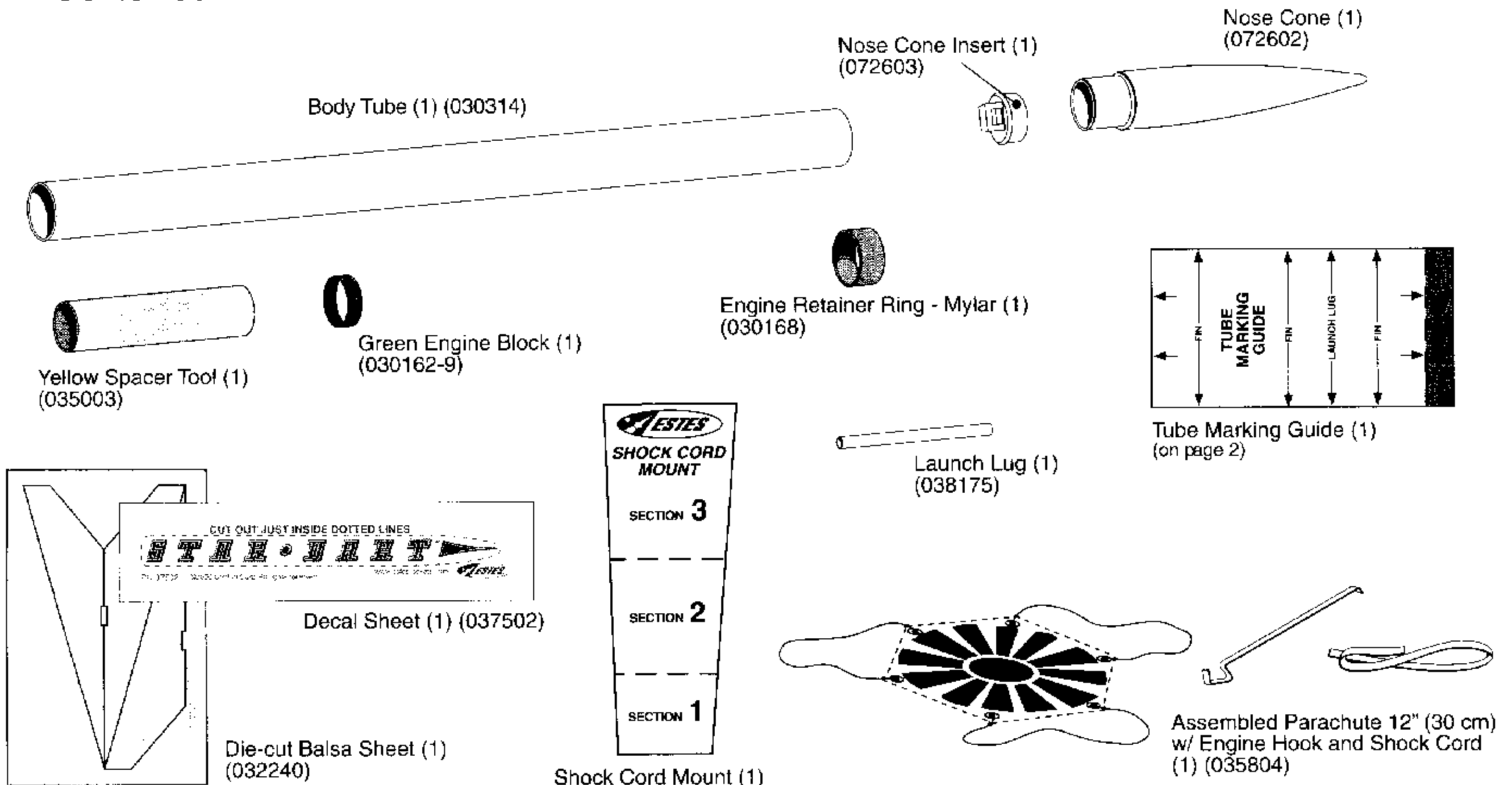
SUPPLIES

In addition to the parts included in the kit you will also need:



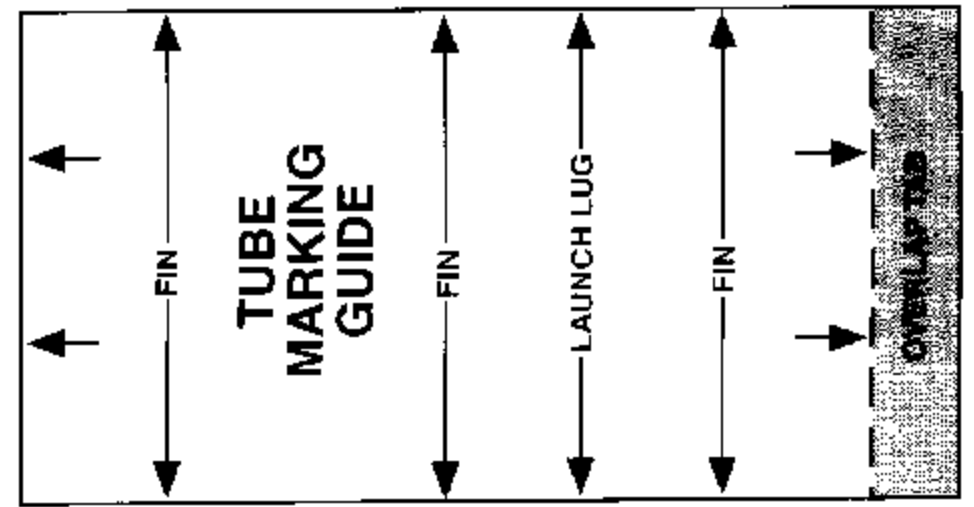
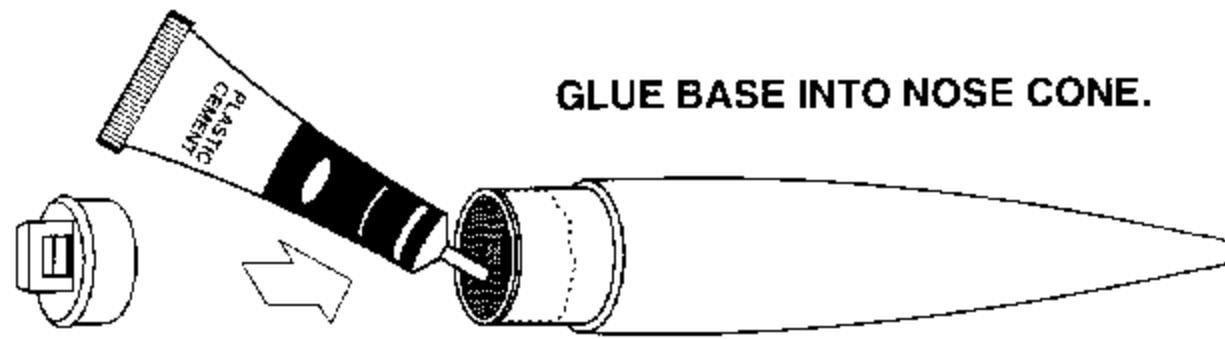
PARTS

Locate the parts shown below and lay them out on the table in front of you. **DO NOT USE THIS DRAWING TO ASSEMBLE YOUR ROCKET.**



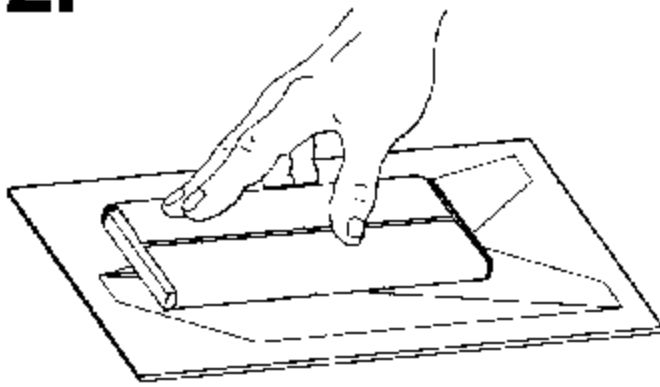
1.

NOTE: USE PLASTIC CEMENT ONLY IN THIS STEP.

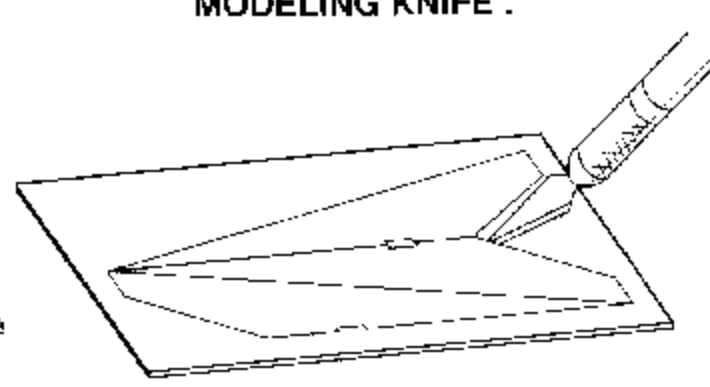


2.

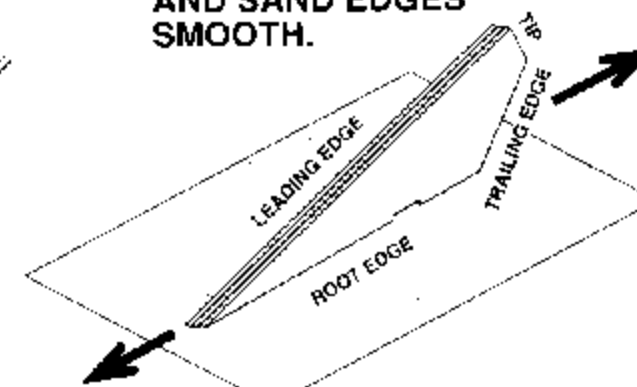
A. FINE SAND Balsa SHEET.



B. CUT FINS FREE WITH MODELING KNIFE.

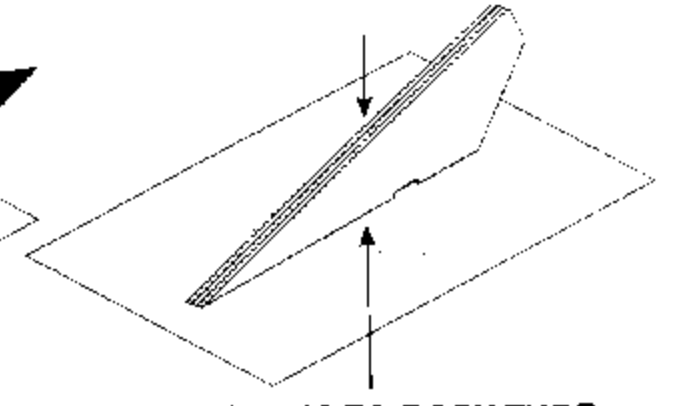


C. STACK FINS TOGETHER AND SAND EDGES SMOOTH.



D. ROUND LEADING EDGES.

ROOT EDGE GLUES TO BODY TUBE. (DO NOT ROUND!)

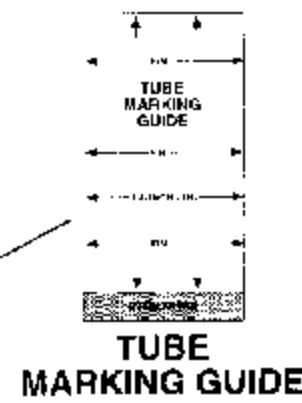
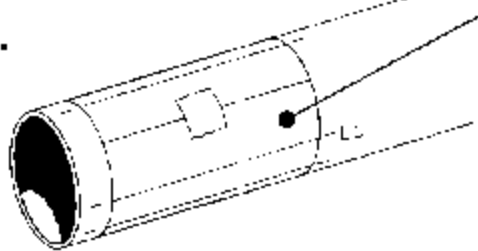


3.

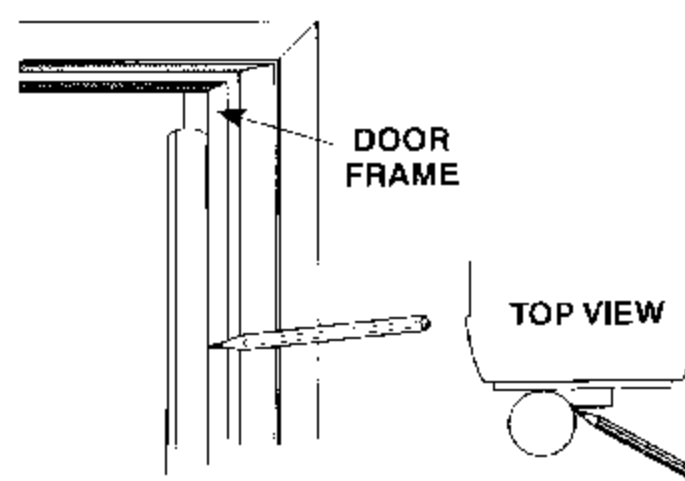
NOTE: SAND BODY TUBE WITH FINE SANDPAPER BEFORE MARKING.

CUT OUT TUBE MARKING GUIDE FROM TOP OF PAGE. TAPE AROUND END OF TUBE. MARK TUBE AT ARROWS. MARK LAUNCH LUG LINE "LL". REMOVE GUIDE.

A.

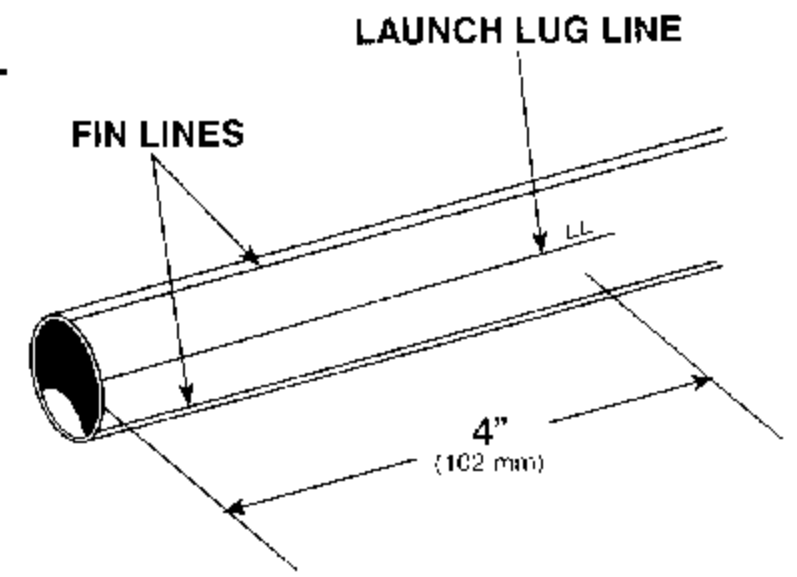


B.



CONNECT FIN LINES.

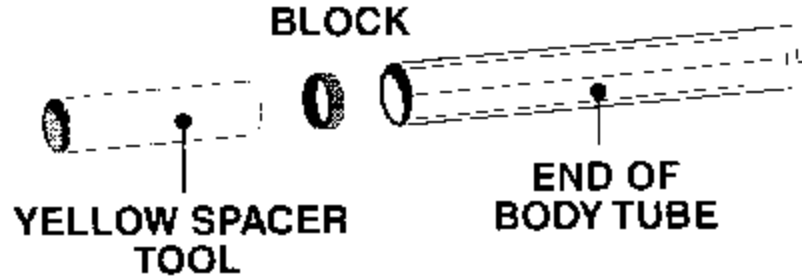
C.



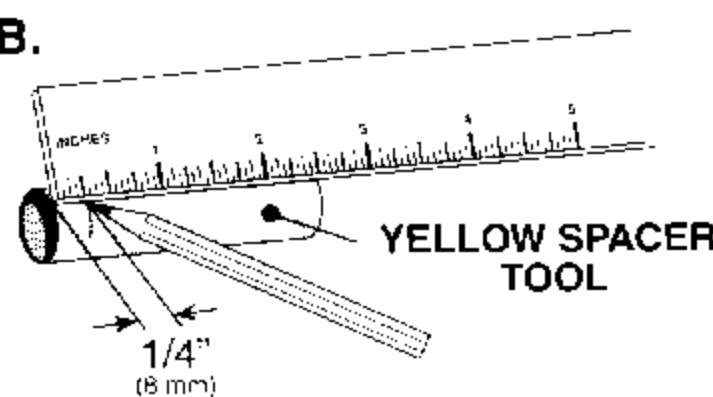
LAUNCH LUG LINE SHOULD BE 4" (102 mm) LONG.

4.

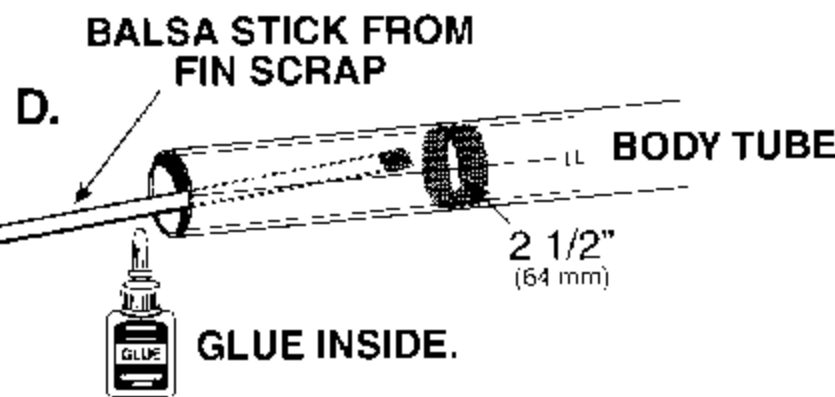
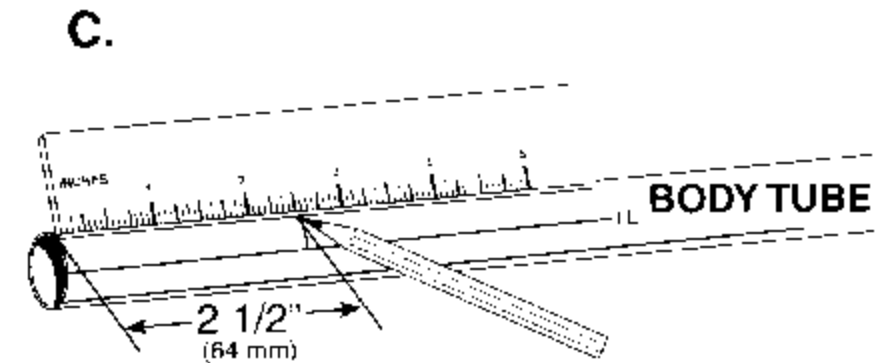
A. GREEN ENGINE BLOCK



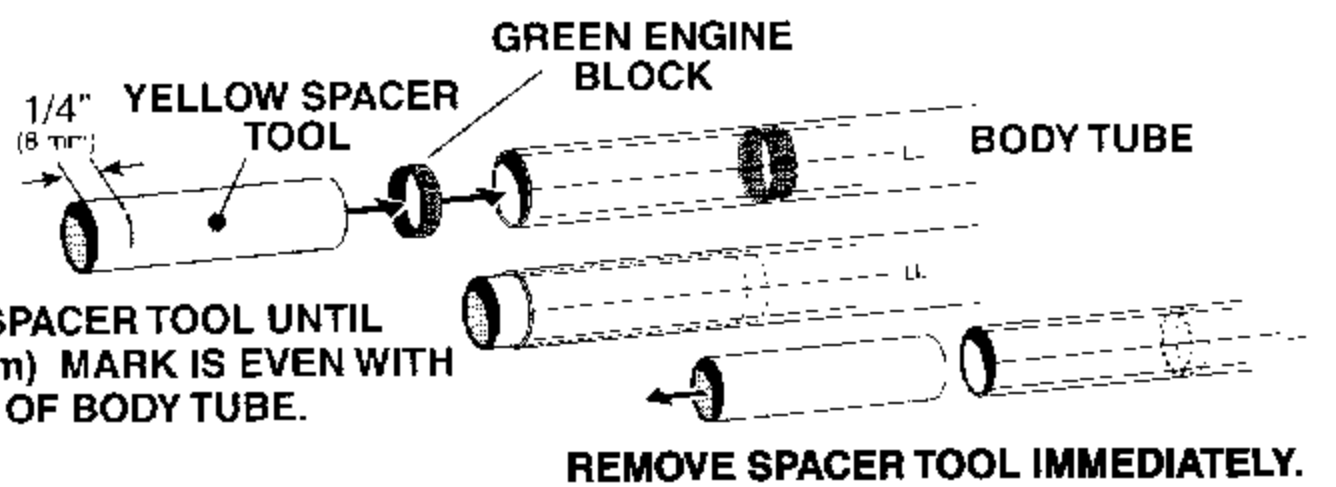
B.



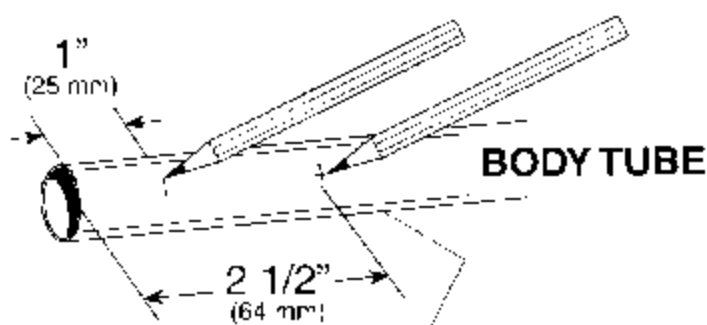
C.



E.

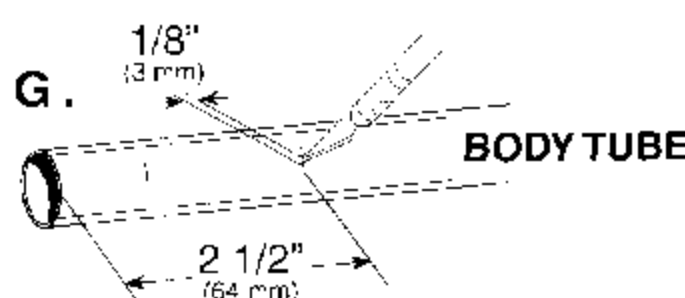


F.

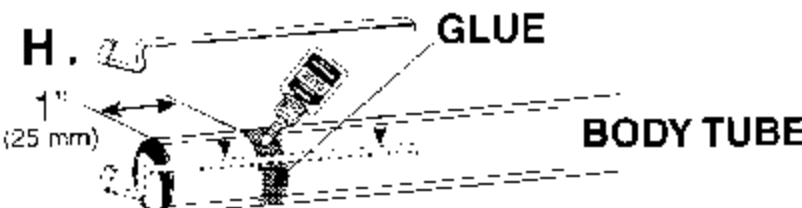


MARK IS HALFWAY BETWEEN TWO FIN LINES. LAUNCH LUG LINE IS BETWEEN OTHER FIN LINES.

G.

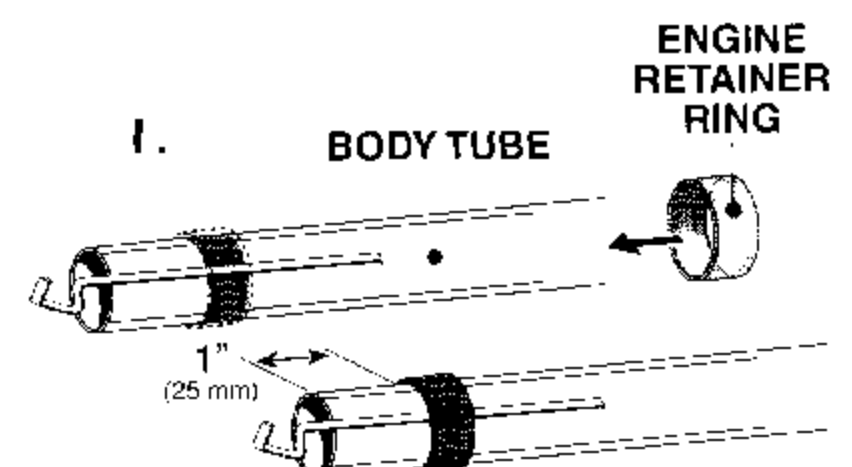


H.



POSITION ENGINE HOOK. APPLY GLUE AROUND TUBE AT 1" (25 mm) MARK.

I.



SLIDE RING OVER TUBE AND ENGINE HOOK TO 1" (25mm) MARK.

5. A. APPLY THIN LAYER OF GLUE. WAIT 1 MINUTE. APPLY 2nd LAYER AND ATTACH FIN CENTERED ON FIN LINE.

FIN LINE

REPEAT FOR OTHER FIN'S.

YES

120° 120° 120°

FINS PROJECT STRAIGHT FROM THE BODY

B.

SUPPORT ROCKET UNTIL GLUE DRIES.

6.

2 1/8" (53 mm)

2 1/8" (53 mm)

LAUNCH LUG

ENGINE HOOK

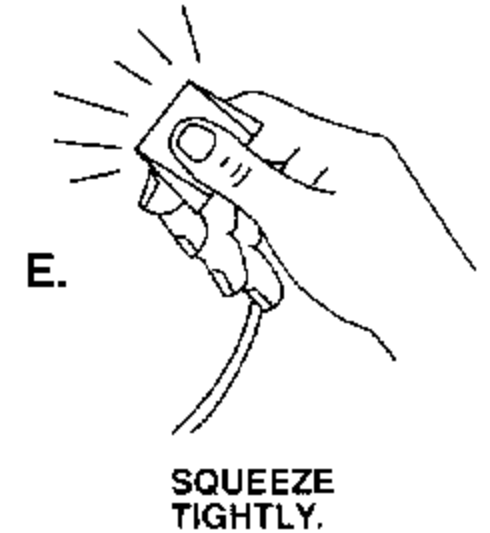
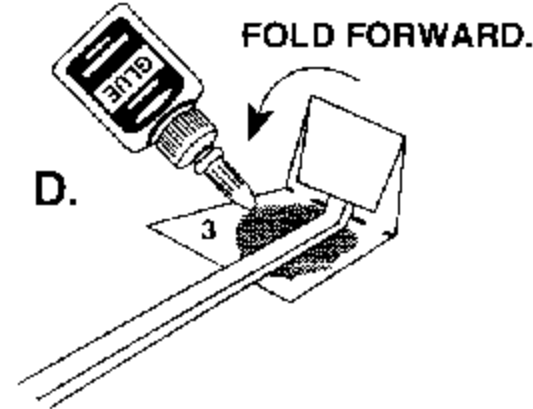
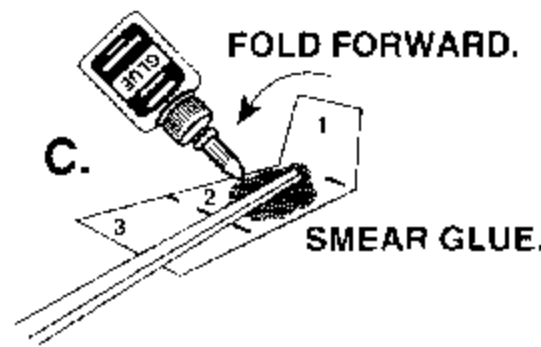
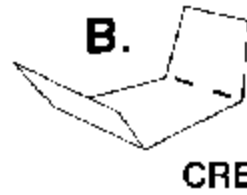
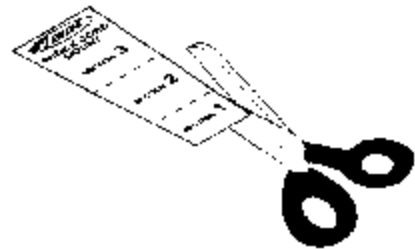
7. PROCEED WITH THIS STEP ONLY AFTER GLUE ON FIN'S AND LAUNCH LUG IS THOROUGHLY DRY.

APPLY GLUE FILLETS TO ALL FIN AND LAUNCH LUG/BODY TUBE JOINTS.

SMOOTH WITH FINGERTIP.

SUPPORT ROCKET UNTIL GLUE FILLETS DRY.

8. A. CUT OUT SHOCK CORD MOUNT FROM FRONT PAGE.

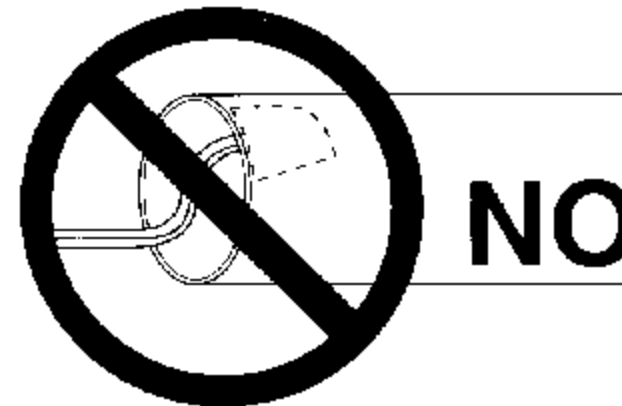


F.

1" (25 mm)

GLUE MOUNT INSIDE BODY TUBE.

HOLD UNTIL GLUE DRIES.



9. A. Loop

B.

NOSE CONE

C.

D.

E.

DOUBLE KNOT SHOCK CORD.

"CONVENTIONAL" PAINT SCHEME

DARK PURPLE

BLACK

DECAL

PURPLE

BLACK

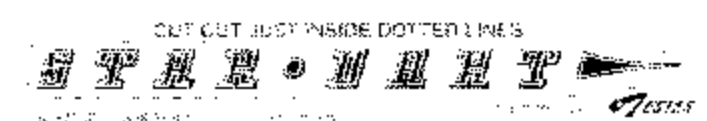
BLACK

WHITE PAINT PEN OR 1/32" (1mm) PIN STRIPE

WHITE PAINT PEN OR 1/32" (1mm) PIN STRIPE

FIRST SPRAY ROCKET WITH WHITE PRIMER, DRY & SAND. REPEAT UNTIL ROCKET IS SMOOTH.

DECAL



*CLEAR COAT ENTIRE ROCKET WHEN PAINT DRIES.

5. **A.** APPLY THIN LAYER OF GLUE. WAIT 1 MINUTE. APPLY 2nd LAYER AND ATTACH FIN CENTERED ON FIN LINE.

FIN LINE

REPEAT FOR OTHER FIN'S.

YES

120° 120° 120°

FINS PROJECT STRAIGHT FROM THE BODY

B.

SUPPORT ROCKET UNTIL GLUE DRIES.

6.

2 1/8" (53 mm)

2 1/8" (53 mm)

LAUNCH LUG

ENGINE HOOK

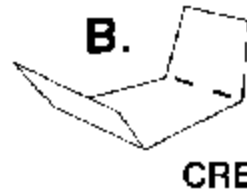
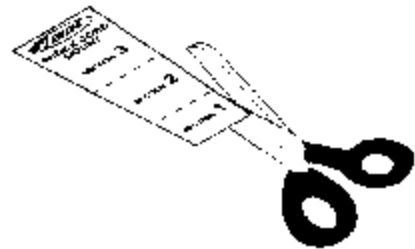
7. PROCEED WITH THIS STEP ONLY AFTER GLUE ON FIN'S AND LAUNCH LUG IS THOROUGHLY DRY.

APPLY GLUE FILLETS TO ALL FIN AND LAUNCH LUG/BODY TUBE JOINTS.

SMOOTH WITH FINGERTIP.

SUPPORT ROCKET UNTIL GLUE FILLETS DRY.

8. **A.** CUT OUT SHOCK CORD MOUNT FROM FRONT PAGE.



C. FOLD FORWARD.

SMEAR GLUE.

D. FOLD FORWARD.

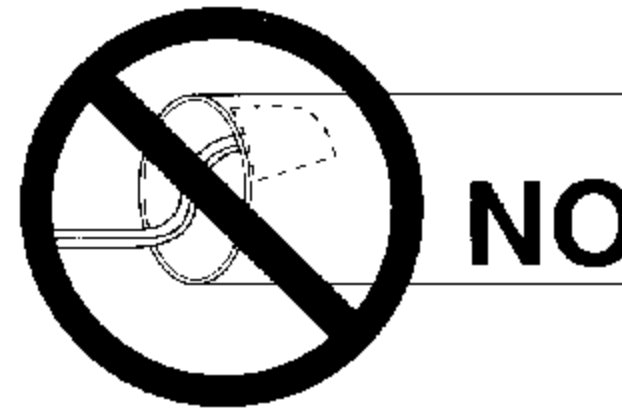
E.

SQUEEZE TIGHTLY.

F.

1" (25 mm)

GLUE MOUNT INSIDE BODY TUBE. HOLD UNTIL GLUE DRIES.



9. **A.** Loop

B.

NOSE CONE

C.

D.

E.

DOUBLE KNOT SHOCK CORD.

"CONVENTIONAL" PAINT SCHEME

WHITE PAINT PEN OR 1/32" (1mm) PIN STRIPE

DARK PURPLE

BLACK

DECAL

PURPLE

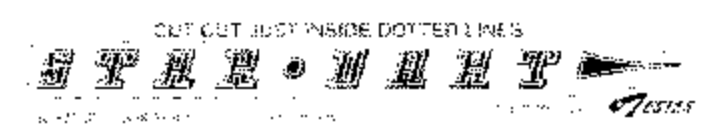
BLACK

BLACK

WHITE PAINT PEN OR 1/32" (1mm) PIN STRIPE

FIRST SPRAY ROCKET WITH WHITE PRIMER, DRY & SAND. REPEAT UNTIL ROCKET IS SMOOTH.

DECAL



*CLEAR COAT ENTIRE ROCKET WHEN PAINT DRIES.