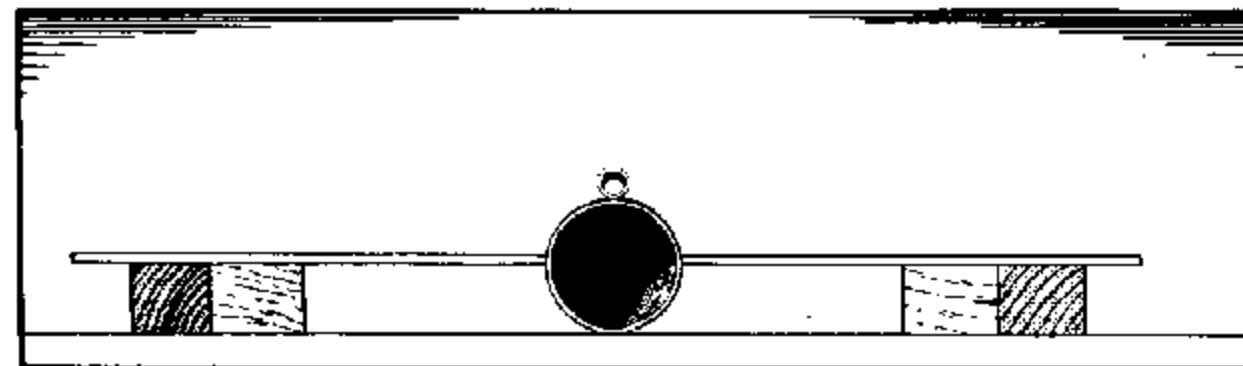


the "Flying Jenny" continued...

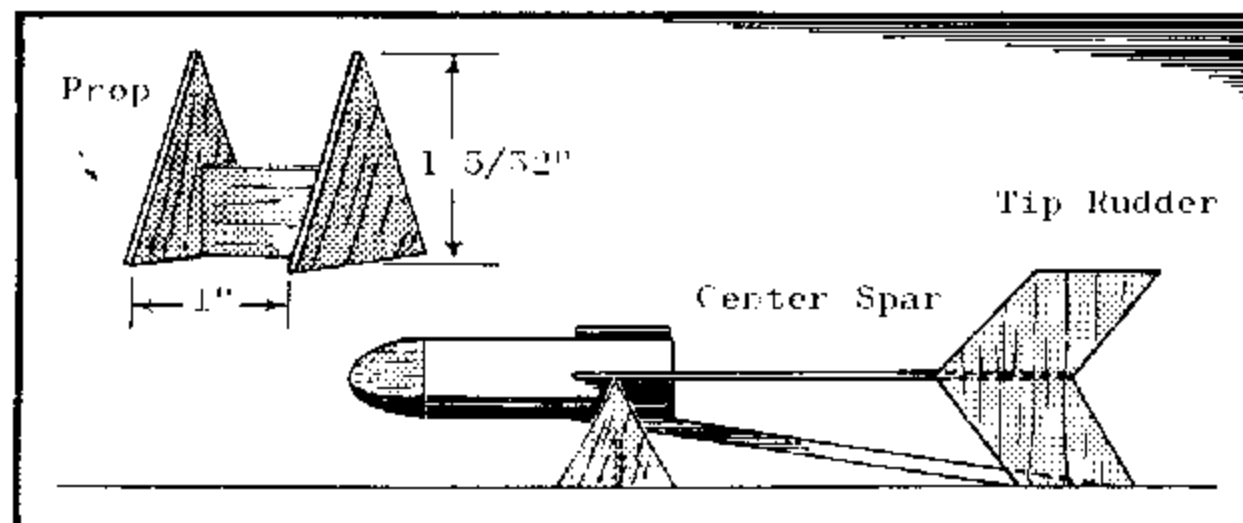
Glue a BNC-20A nose cone to one end of the BT-20J engine tube. Install a launching lug so the rear of the lug is flush with the rear of the BT-20J. Place this assembly on the marking guide shown on the foregoing



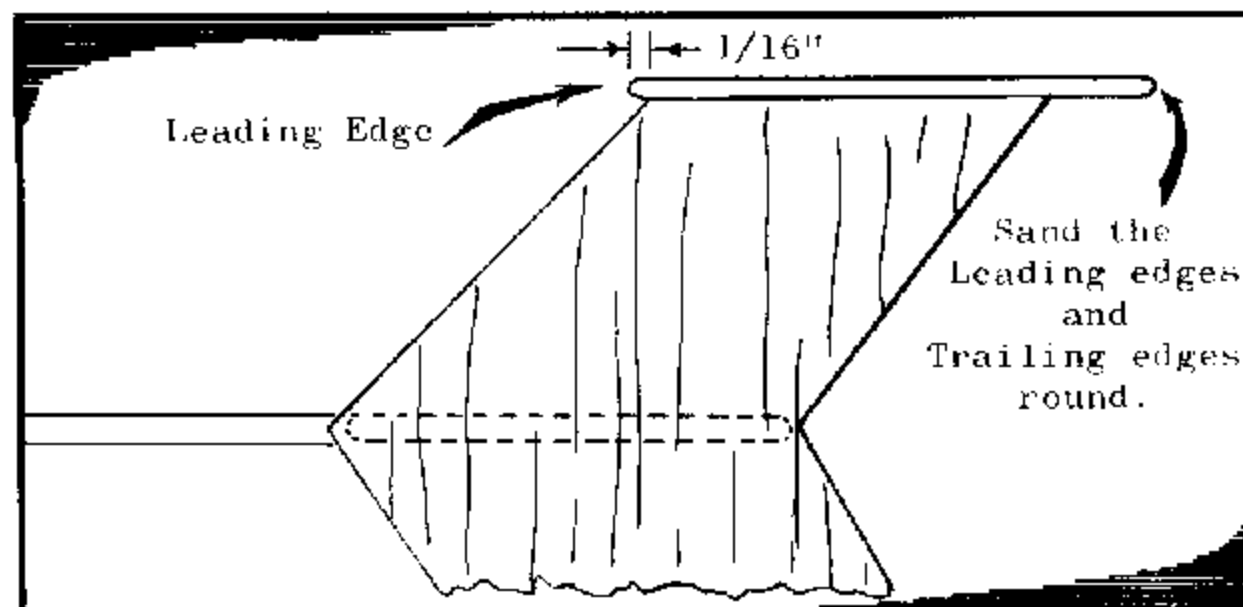
page and mark the positions of the center wing roots and the center spar. Install the center wings and let them dry. Support them horizontally while drying.



Attach the center spar to the engine tube in line with the marks. This spar prevents wing vibration; and is necessary to keep the wings from coming off in flight.



Cut two triangle shaped pieces of wood from scrap measuring $1\frac{5}{32}$ " from base to top. Glue these pieces to a 1" piece of scrap to form a prop to align and support the engine tube assembly at the center wing roots while the rudders are being glued into position on the center wing tips. The bottom edges of the rudders must rest squarely on the table top as is shown. Let this assembly dry thoroughly before moving.

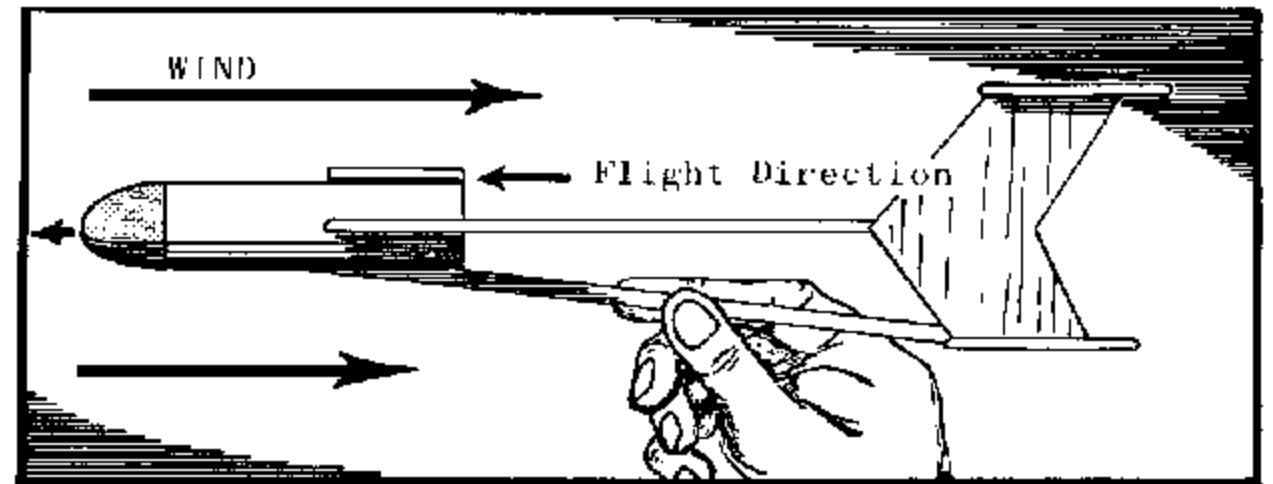


When rudders have set, glue the top wing into place, locating it in the position marked on the pattern. When this has set, turn the model over and glue the bottom wing into place, locating it in the same way. Allow the entire assembly to dry completely. White glue becomes clear when completely cured.

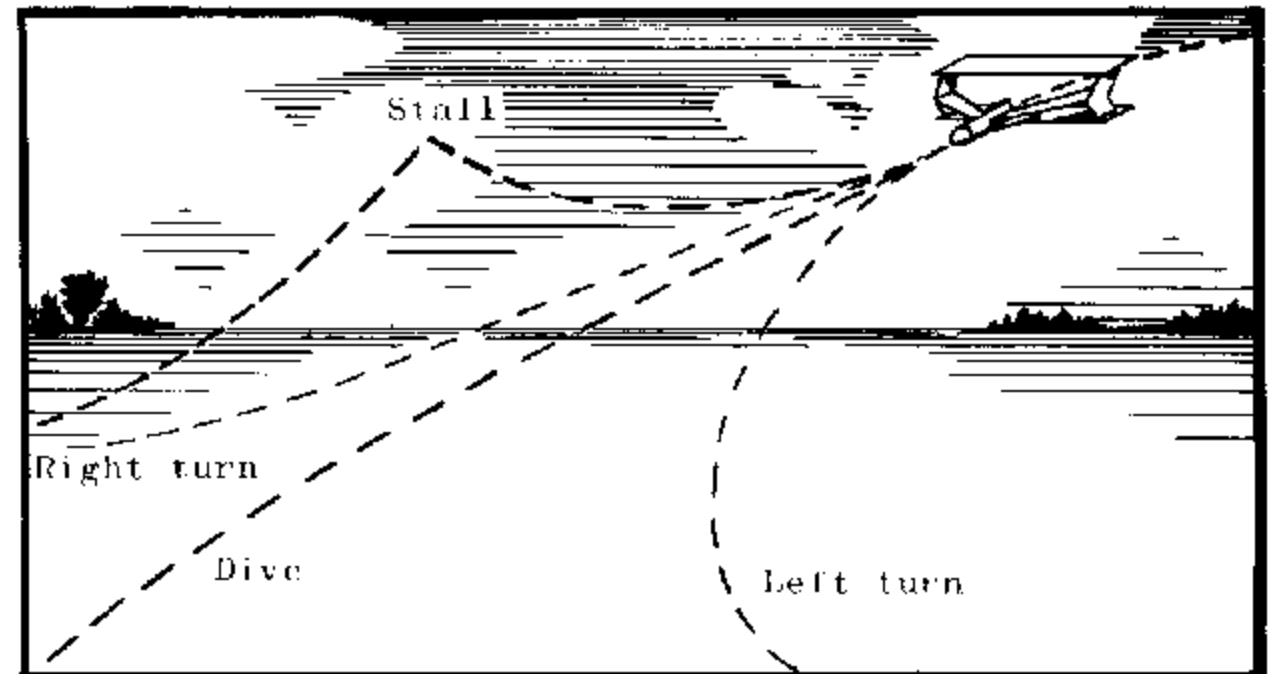
Trimming for Flight

After all glue joints have turned clear, test glide the model by grasping it at the center spar and tossing

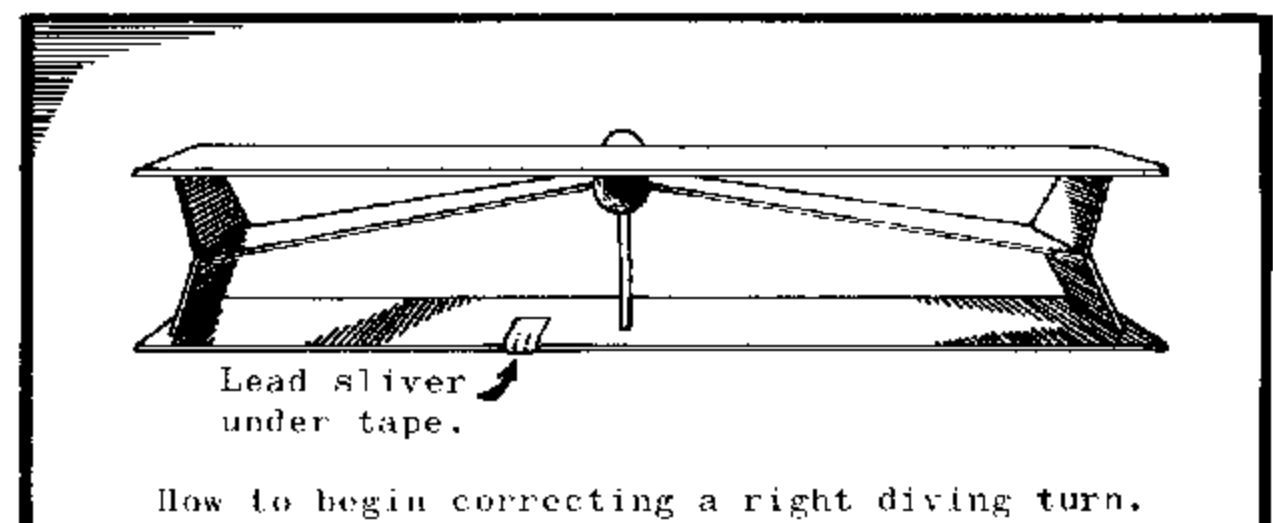
it into the wind with nose level. If the model stalls, add a sliver of lead nose cone weight (NCW-1) to the nose.



If the model dives, observe whether it also turns to the right or left as it dives. If it does, you may compensate for the turn at the same time you correct the dive.

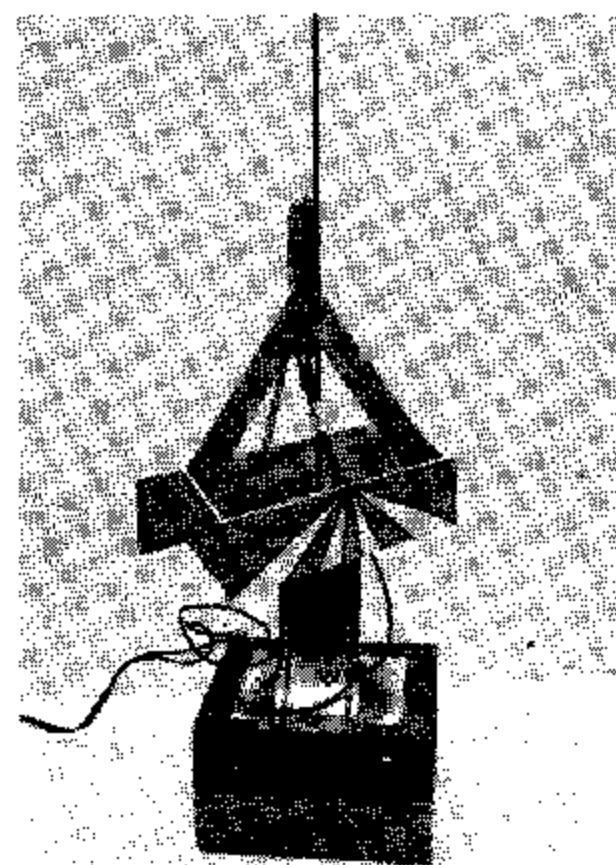


For example: Your model drops quickly and to the right. Cut a sliver of lead from the NCW-1 (only experience can tell you how much) and attach it near the trailing edge of the lower wing perhaps an inch left of the center.



Continue to glide and adjust until a smooth straight ahead glide is obtained. Now you are ready for power.

To Power your "Jenny"...



Your "Flying Jenny" will fly with any Series I or Series III engine. Any single stage engine up to and including the A.8-3 is recommended for sport and exhibition flying. However if you have a large flying field and like the hiking then go ahead. . . put a B.8-4 engine in and watch "Jenny" head into the wild blue yonder. . . perhaps, for keeps!

CAUTION! Tape your lead wires to the launching rod leaving just enough free to attach micro-clips to the igniter. This will keep the wires from tangling in the wings when launching.