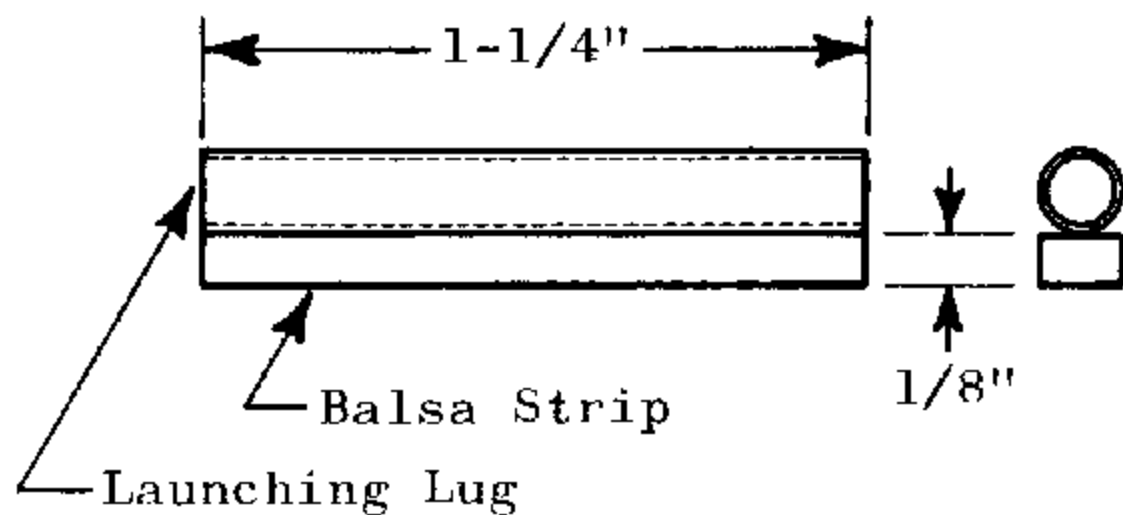
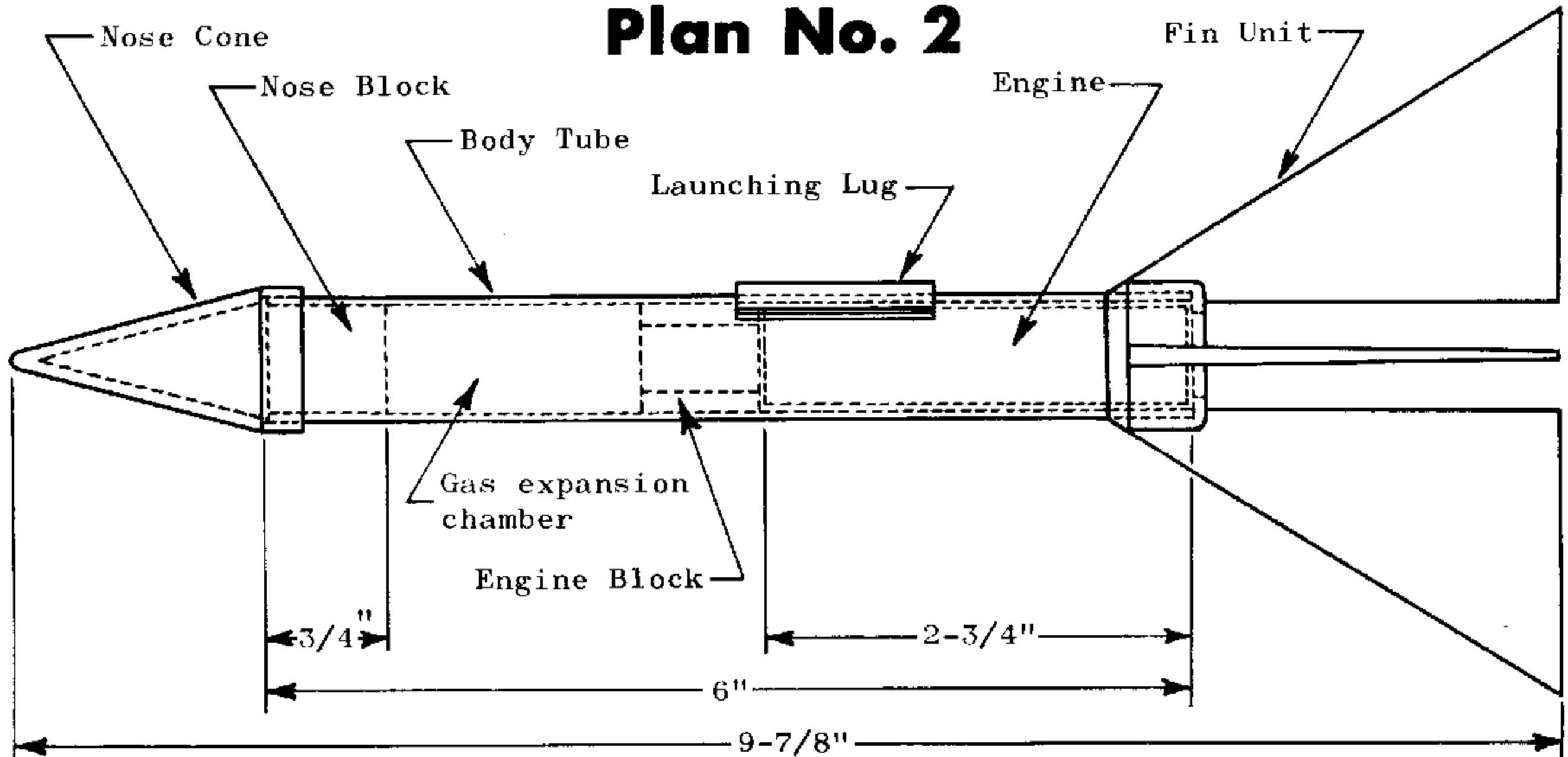
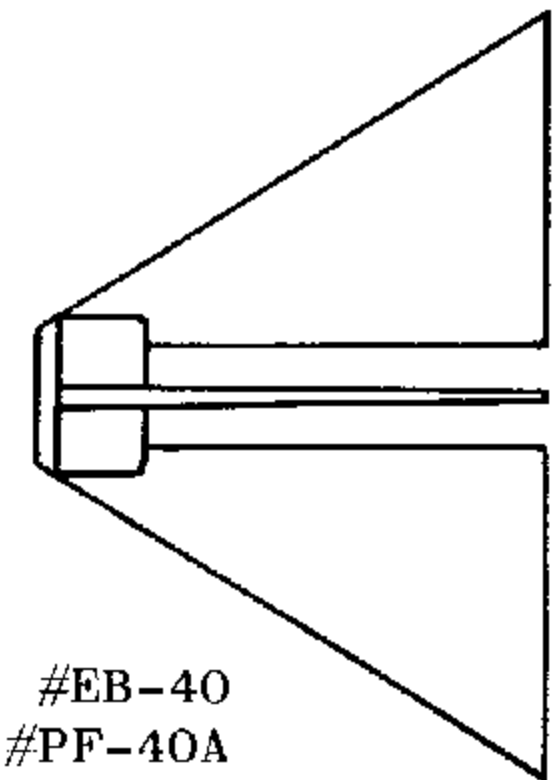
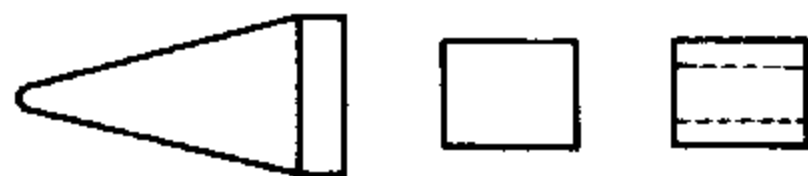


The Sky Bird

Plan No. 2



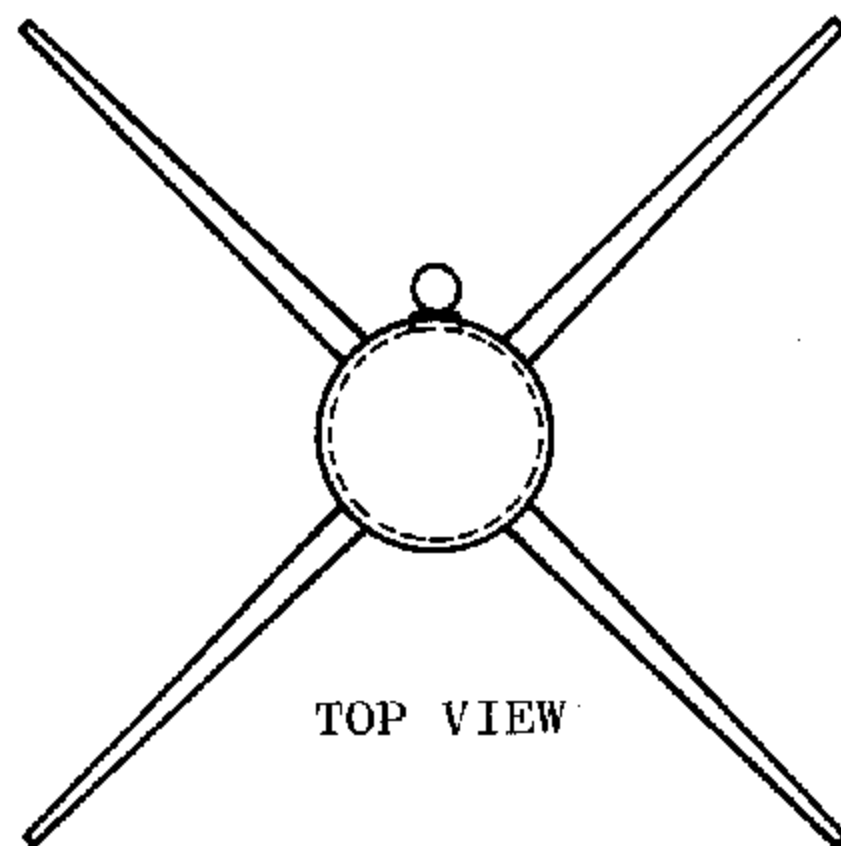
LAUNCHING LUG
DETAIL



EXPLODED VIEW

PARTS LIST

Nose Cone #PNC-40F	Engine Block #EB-40
Nose Block #NB-40	Fin Unit #PF-40A
Body Tube #BT-40	Launching Lug #LL-1A



Launching lug is glued to a 1/8" x 1/8" x 1-1/4" piece of balsa and the balsa glued to the body tube to space the lug so the launching rod will fit in the lug without binding on the plastic nose cone and fins. The hollow engine block allows the ejection charge to pressurize the forward chamber thus reducing the shock of ejection. Both engine block and nose block must be securely glued in place. Fin unit must make a tight friction fit on the rear end of the body so it will not come off under acceleration.

Rocket plan No. 2 makes use of the removable fin type recovery system. All parts on this rocket are sold by Estes Industries, Inc., or the rocketeer can make all of

the parts except the plastic fins himself. The large fin area of the Sky Bird places the center of gravity sufficiently ahead of the center of pressure so that the bal-