

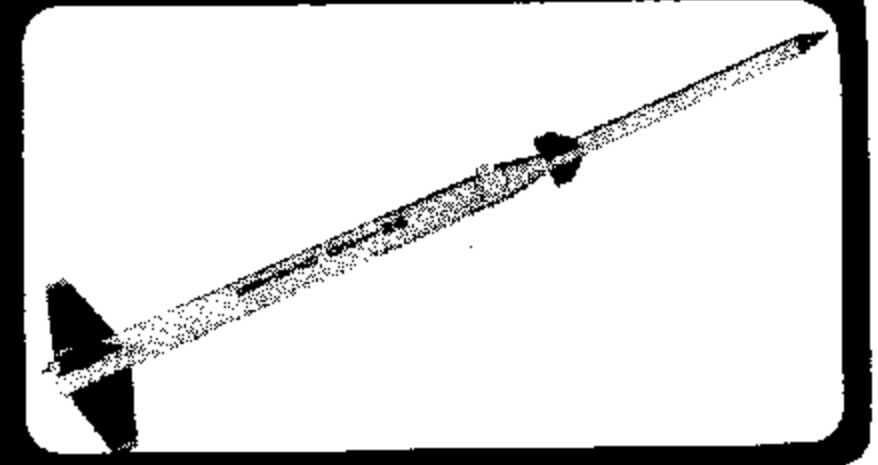
Estes Industries Rocket Plan No. 62

MARK - IV

DESIGN OF THE MONTH WINNER

JANUARY '69

Pete Eri Ridgewood, N.J.

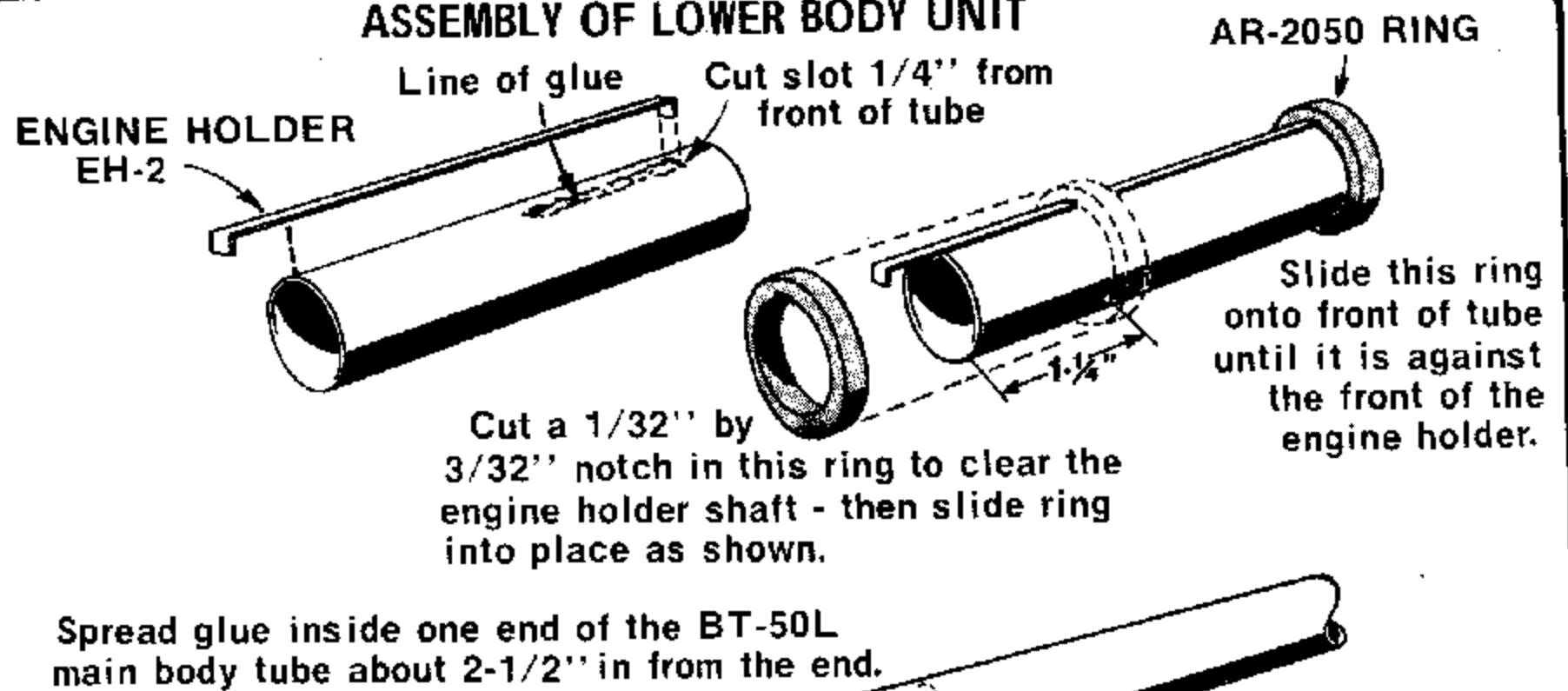


PUBLISHED AS A SERVICE TO ITS CUSTOMERS BY ESTES INDUSTRIES, INC., BOX 227, PENROSE, CO. 81240 ESTES INDUSTRIES 1969

PARTS LIST

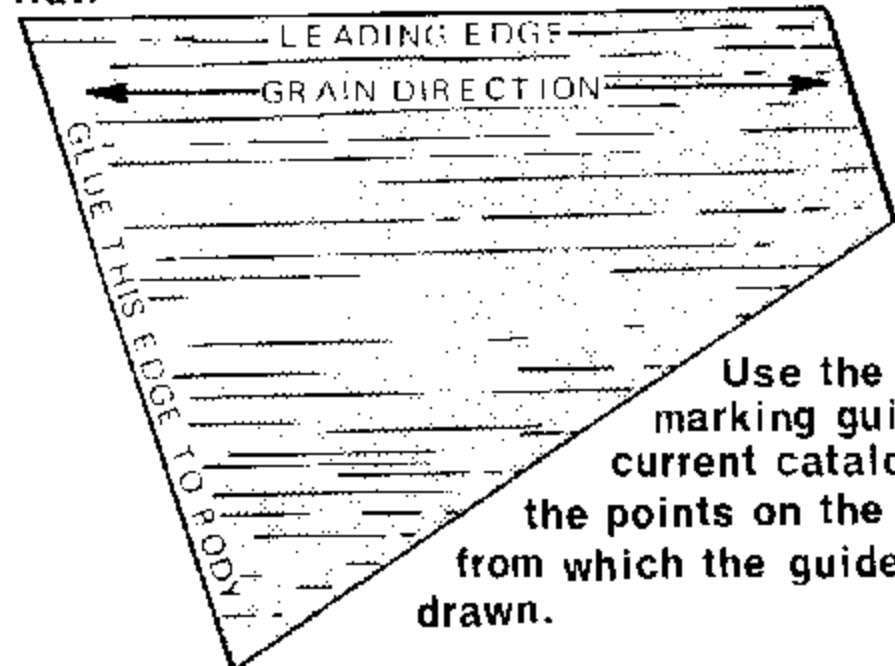
1	Balsa nose cone	BNC-5S
1	Body tube	BT-50L
1	Body tube (8")	BT-5
1	Body tube	BT-20J
1	Sheet balsa fin stock	BFS-20L
2	Centering rings	AR-2050
1	Engine holder	EH-2
1	Launching lug	LL-2A
1	Screw eye	SE-2
1	Shock cord	SC-1
1	12" Parachute kit	PK-12

ASSEMBLY OF LOWER BODY UNIT

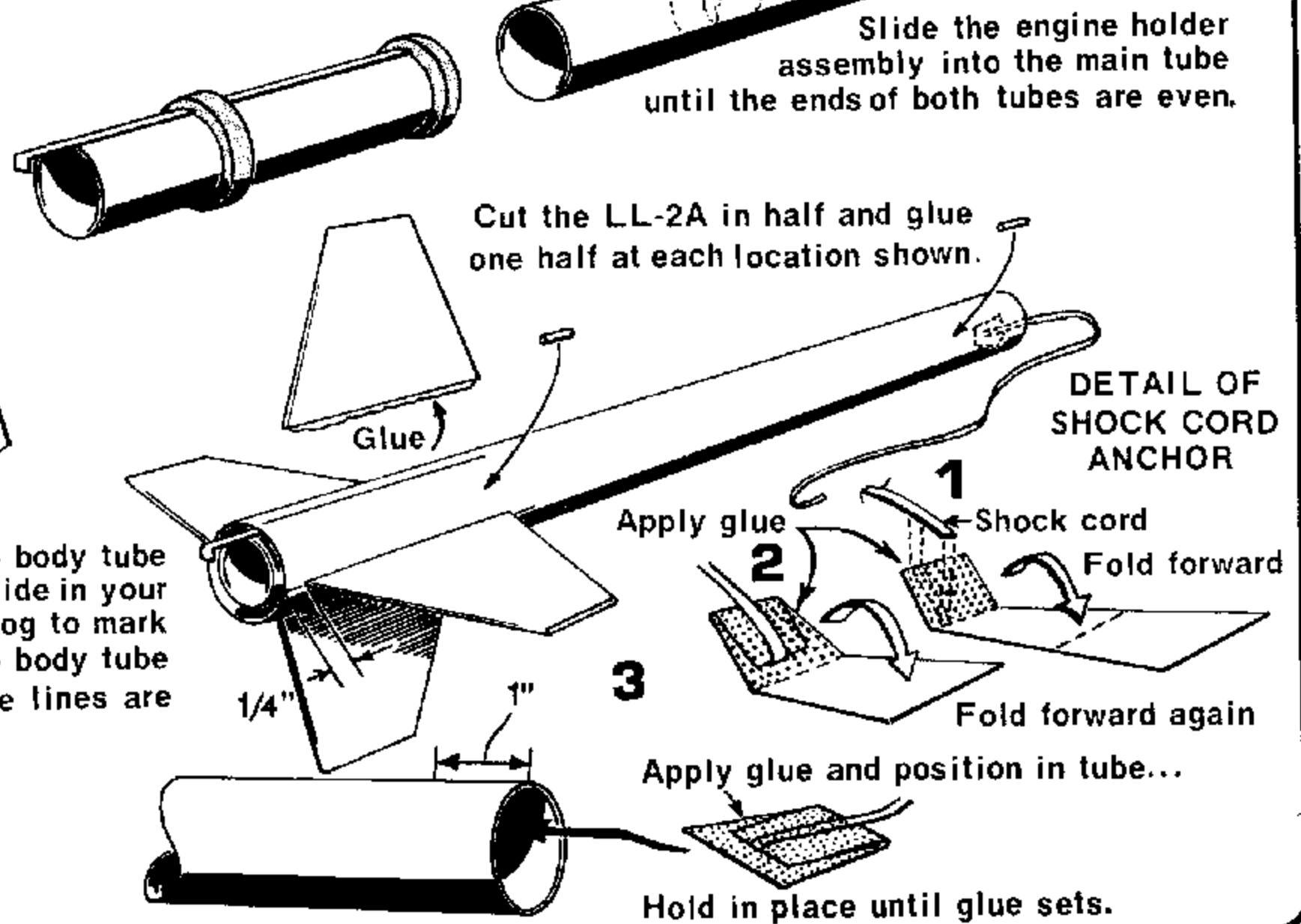


Trace this pattern onto heavy paper and cut out the tracing. Lay out four fins on the balsa fin stock and cut them out.

Sand fin leading and trailing edges round. Tip and root edges are sanded flat.



Use the body tube marking guide in your current catalog to mark the points on the body tube from which the guide lines are drawn.



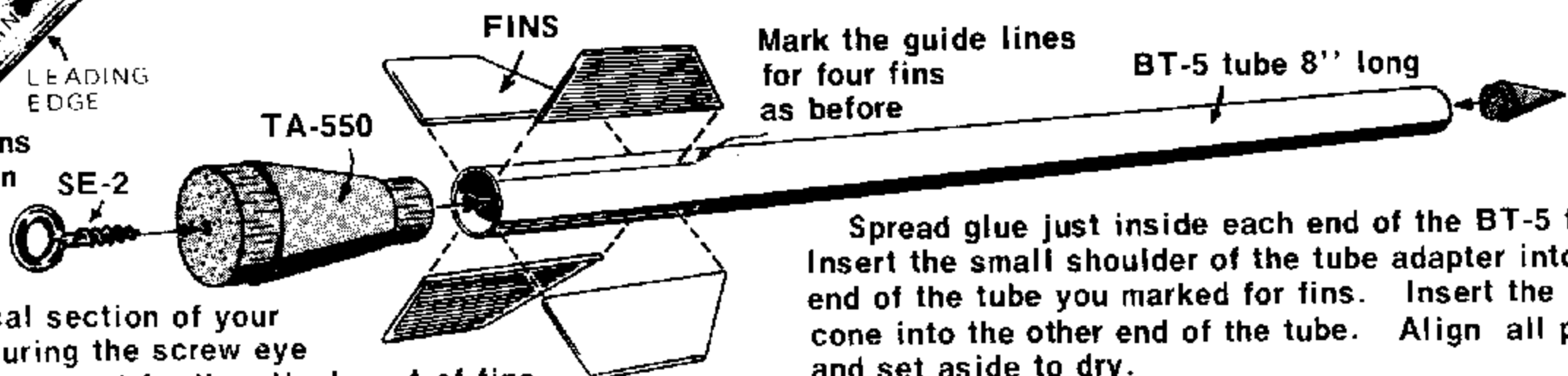
Trace this pattern onto heavy paper and cut out

Sand these fins same as you did the lower body fins.



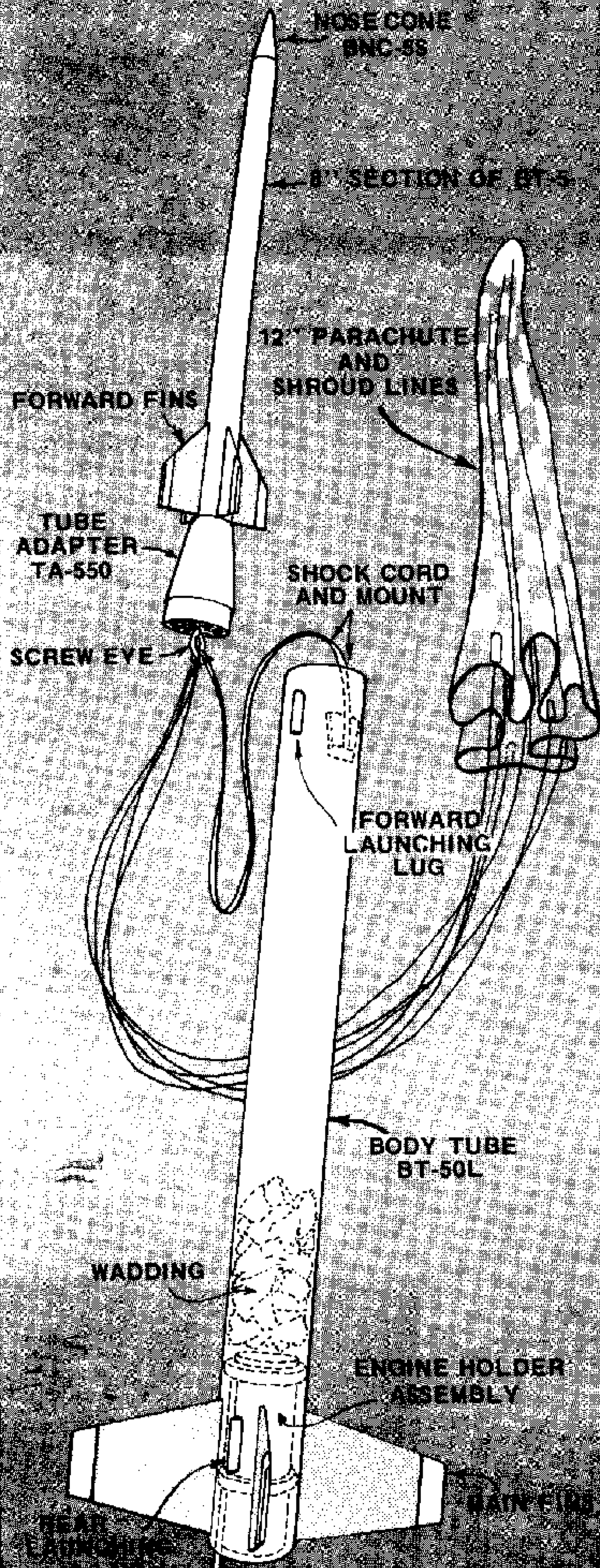
Lay out four fins on the balsa fin stock and cut them out

See the technical section of your catalog for securing the screw eye in the tube adapter and for the attachment of fins



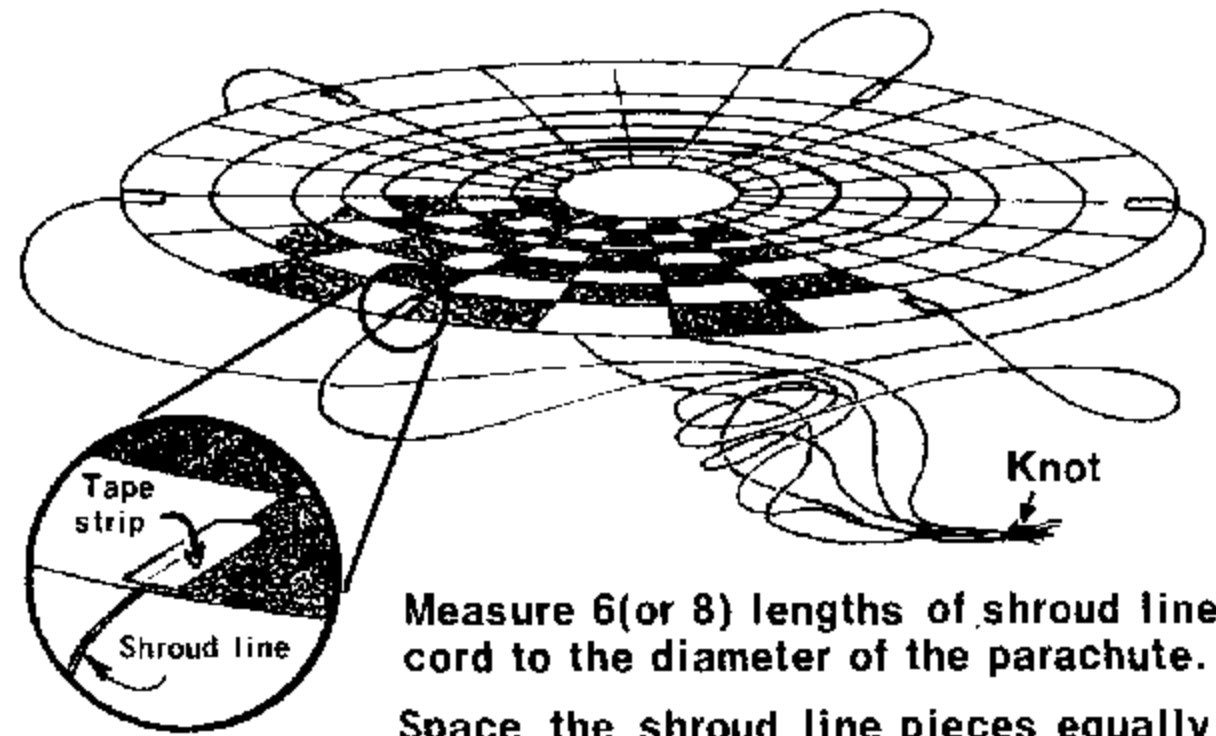
Spread glue just inside each end of the BT-5 tube. Insert the small shoulder of the tube adapter into the end of the tube you marked for fins. Insert the nose cone into the other end of the tube. Align all parts and set aside to dry.

GENERAL VIEW



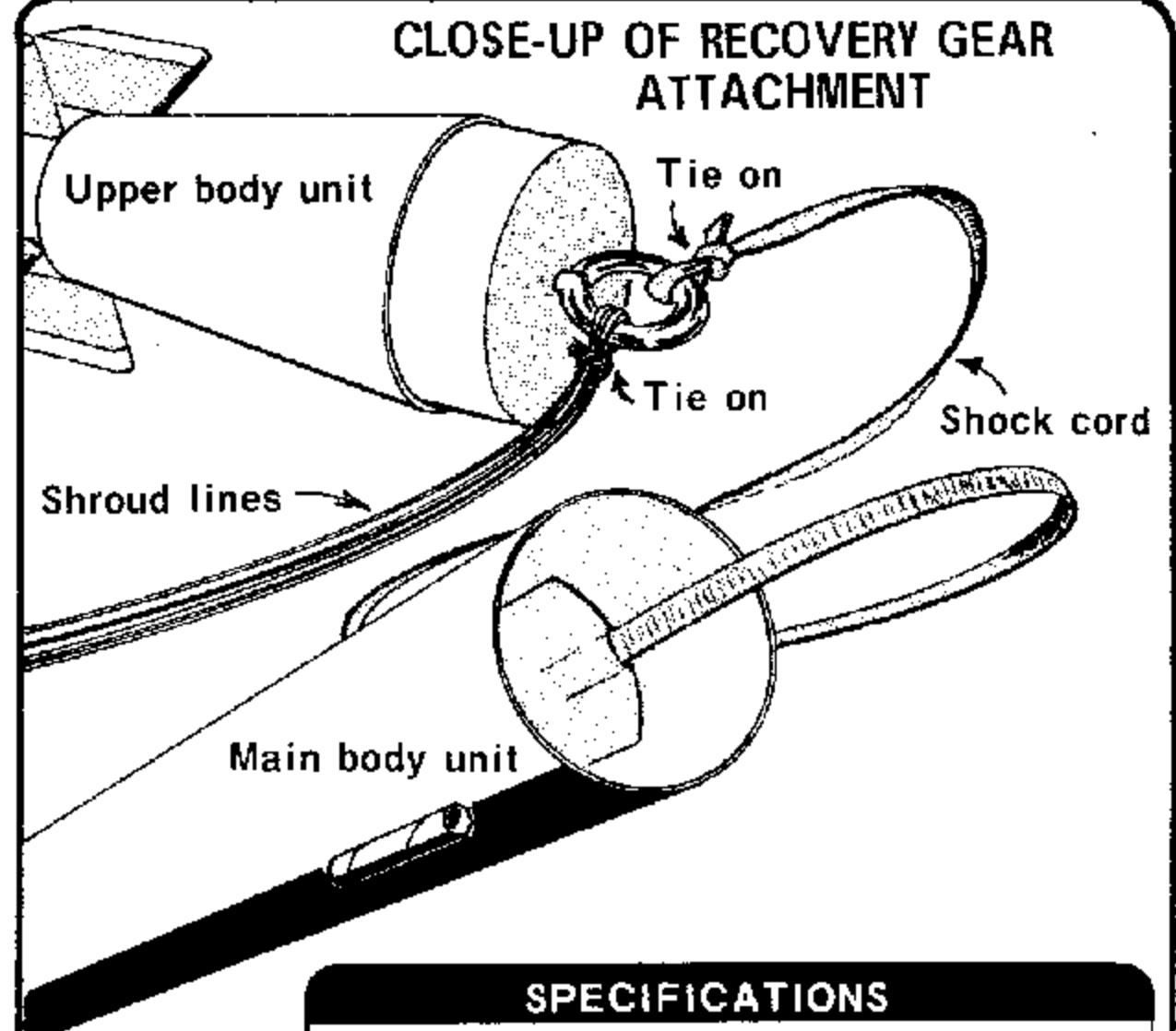
PERFORMANCE CROSS SECTION OF THE MARK IV	
RECOMMENDED ENGINE	AVERAGE ALTITUDE
1/2A6-2	100 feet
A8-3	250 feet
B6-4	538 feet
C6-5	940 feet

PARACHUTE ASSEMBLY



Measure 6 (or 8) lengths of shroud line cord to the diameter of the parachute. Space the shroud line pieces equally around the edge of the parachute holding each line in place with a tape strip. Gather the free ends of the lines and tie together.

CLOSE-UP OF RECOVERY GEAR ATTACHMENT



SPECIFICATIONS

LENGTH:	23.25"
FIN SPAN:	5.30"
BODY DIAMETER:	0.976"
WEIGHT:	1.125 Oz.
RECOVERY GEAR:	
STANDARD:	12" PARACHUTE
OPTION:	3-FOOT STREAMER

PAINTING DETAIL

