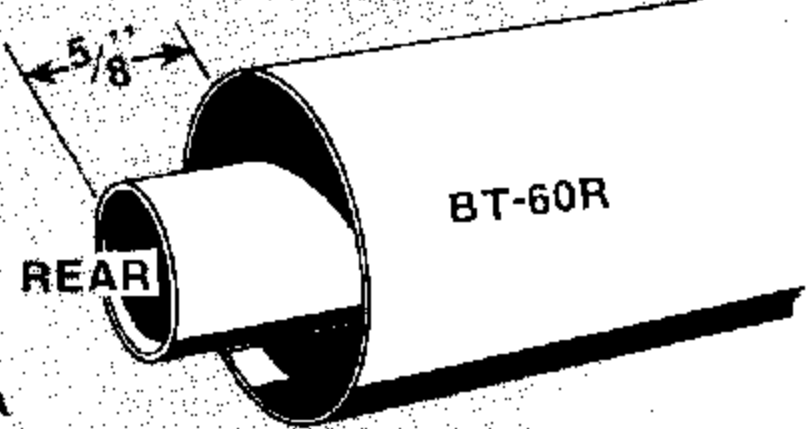
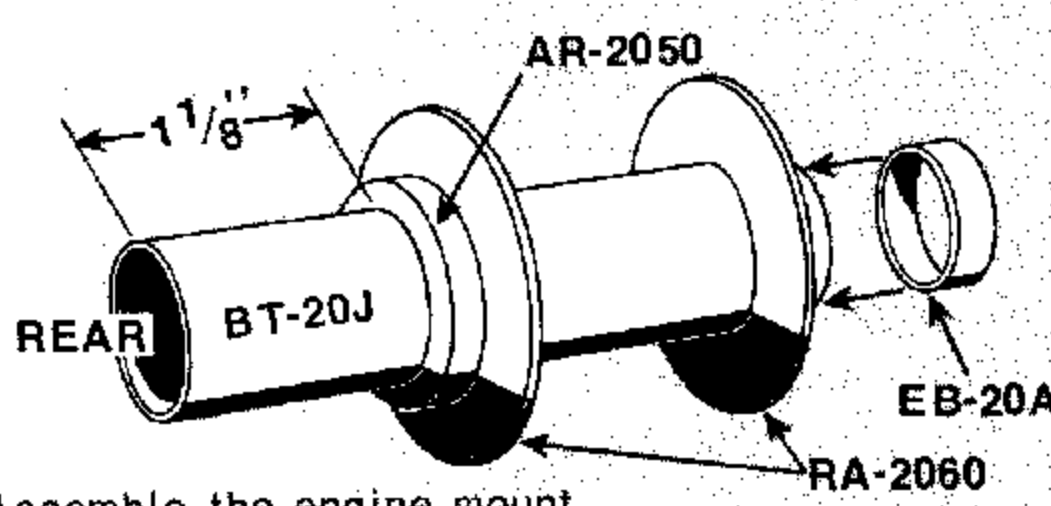
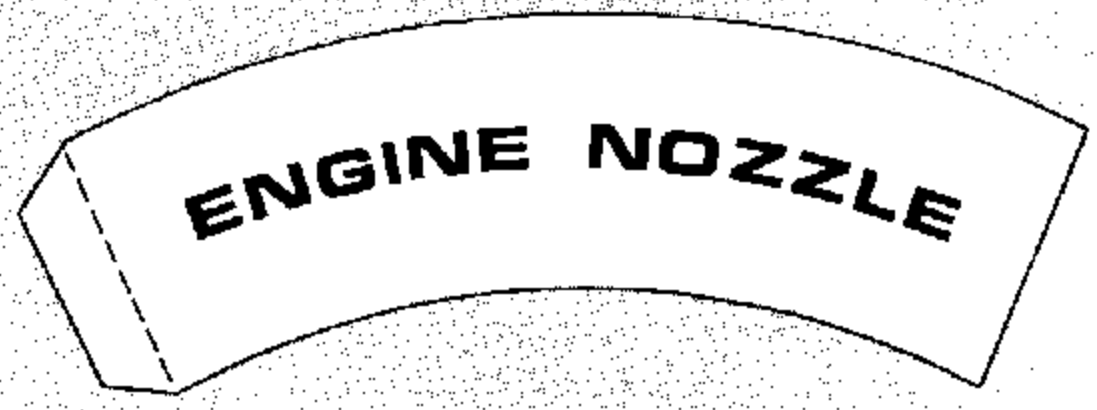
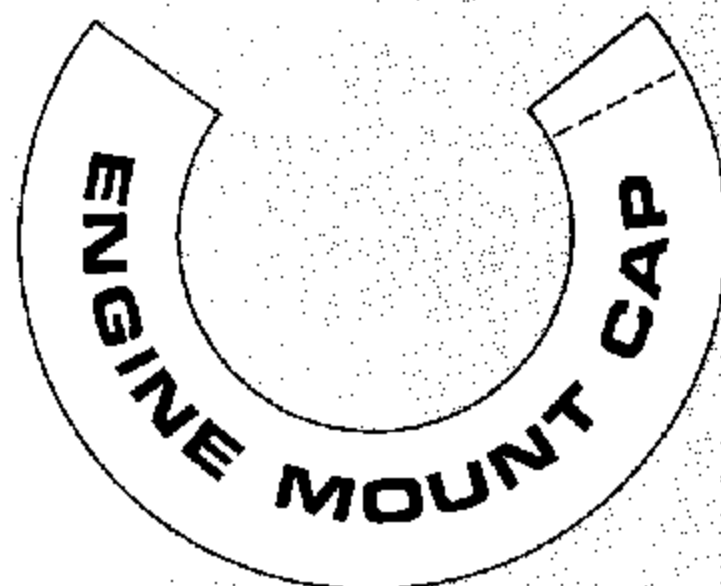
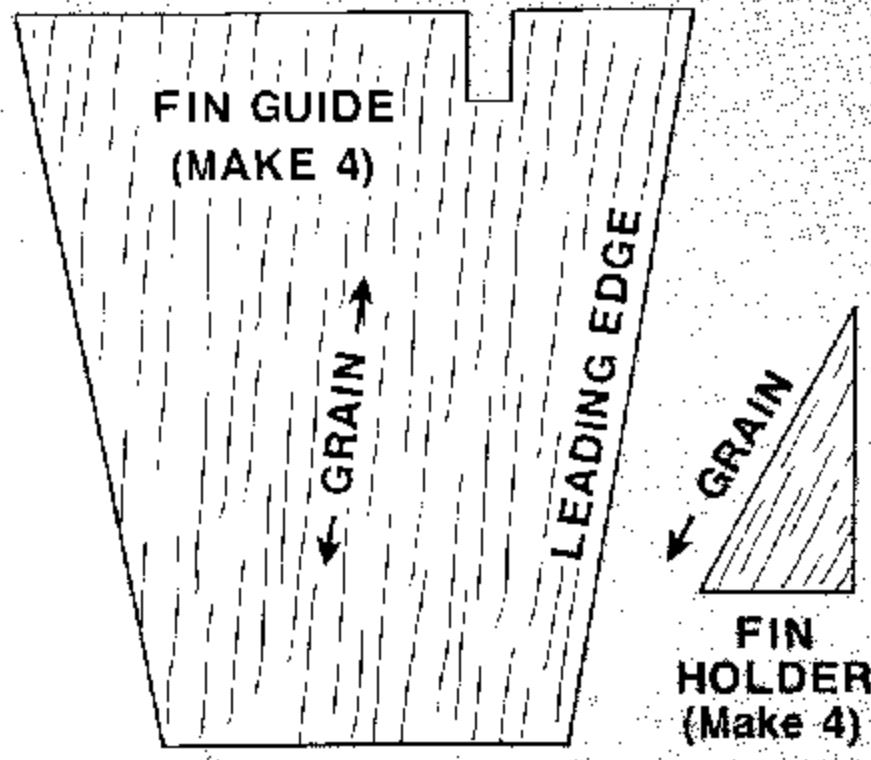
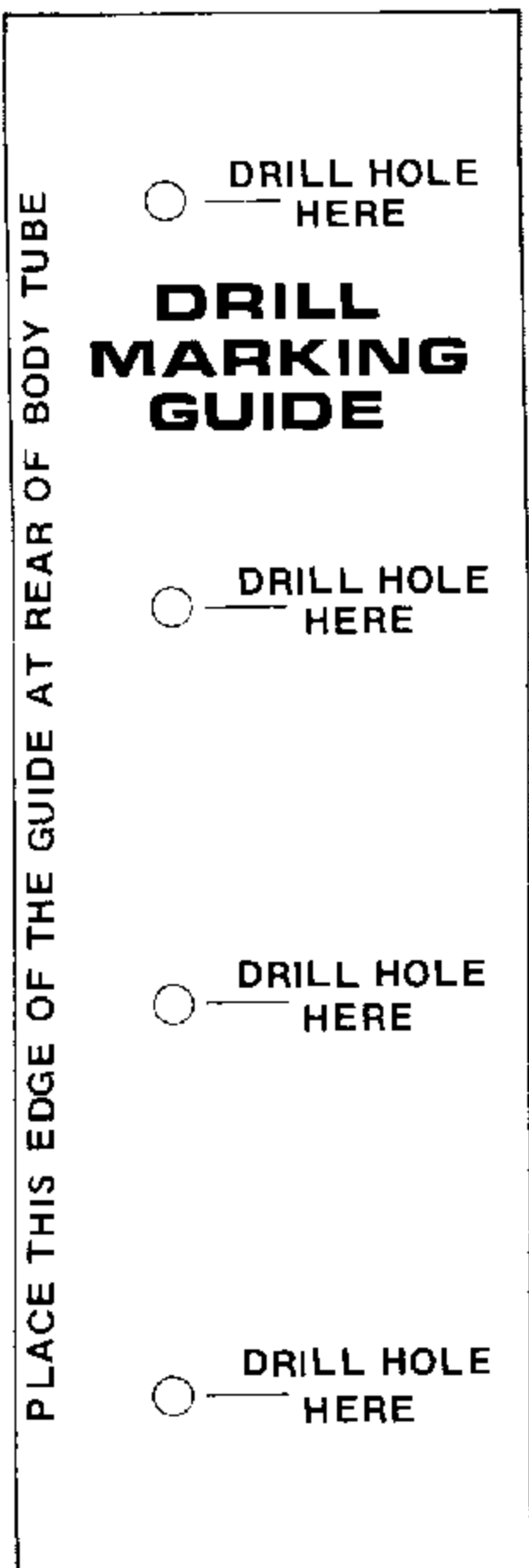
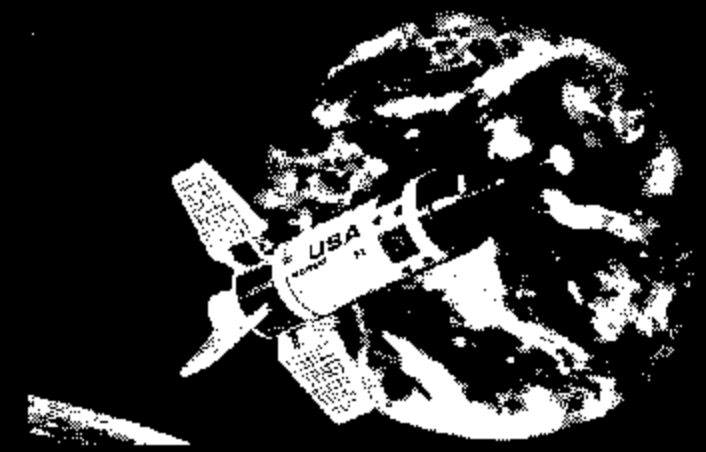


Estes Industries Rocket Plan No. 73

# ORBITAL TRANSPORT LABORATORY OTL-7A

by Ted Nomura Las Vegas, Nevada

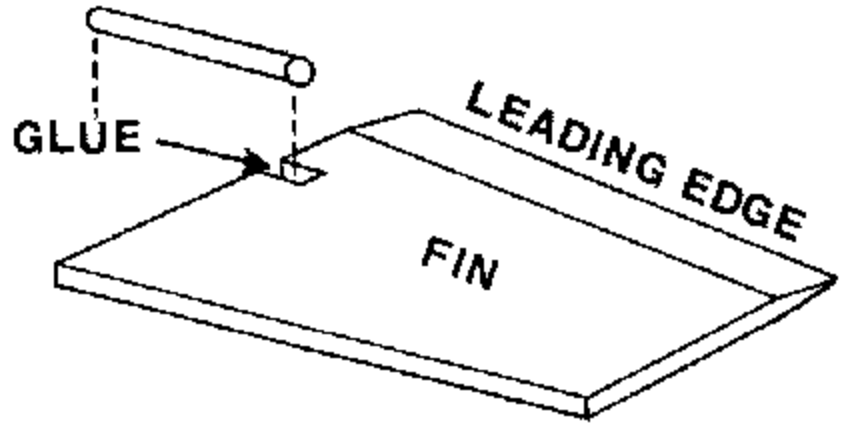
JUNE 1971 DESIGN OF THE MONTH WINNER



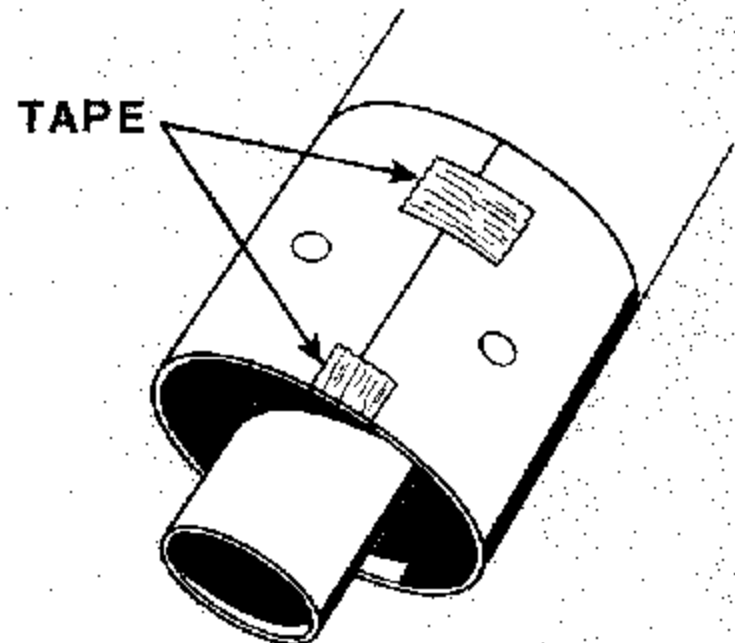
**1** Assemble the engine mount.

**2** Glue the engine mount to the inside of the BT-60R, leaving 5/8" outside.

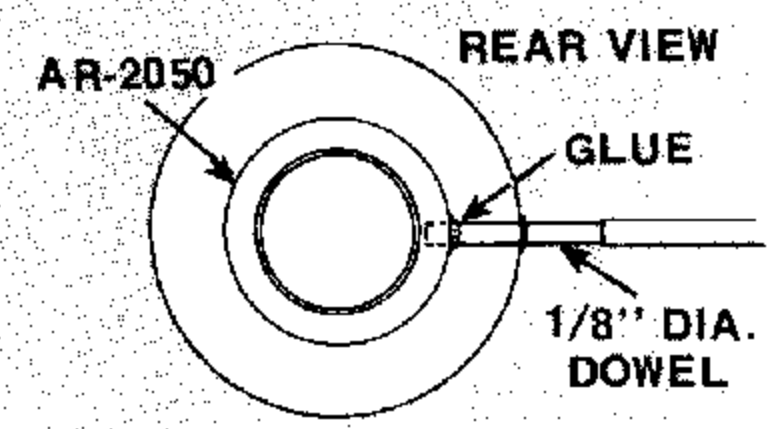
NOTE: Wrap rear of engine with masking tape to assure snug fit before inserting engine prior to launch.



**3** Cut four 1" long dowels from WD-1 and glue to the fins. Sand the fins to the shape as shown.



**4** Drill four 1/8" dia. holes into body tube and AR-2050 ring by using the guide.



**5** Glue the dowel into the 2050. Align fins carefully, parallel to body tube.

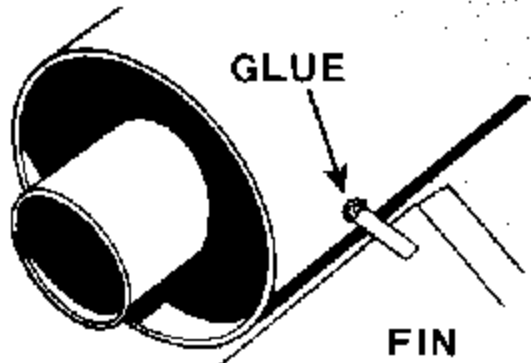
## PARTS LIST

1 NOSE CONE	BNC-60AB
1 BODY TUBE 2.75"	BT-20J
1 BODY TUBE 5"	BT-60R
1 ENGINE BLOCK	EB-20A
3 CENTERING RINGS	RA-2060
1 CENTERING RING	AR-2050
1 Balsa SHEET	BFS-40
1 LAUNCH LUG	LL-2B
1 DOWEL 1/8"	WD-1
1 PARACHUTE KIT	PK-12
1 SCREW EYE	SE-1
1 SHOCK CORD	SC-1
1 NOSE CONE WEIGHT	NCW-1

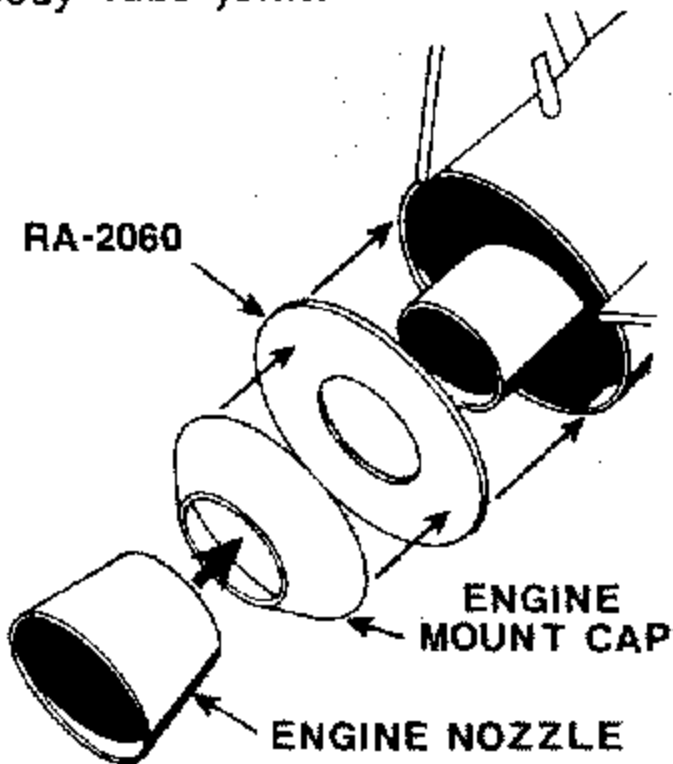
In addition to the parts listed above, you will also need a modeling knife, white glue, sandpaper, a brush and paints, sanding sealer, and a postcard.

### RECOMMENDED ENGINES

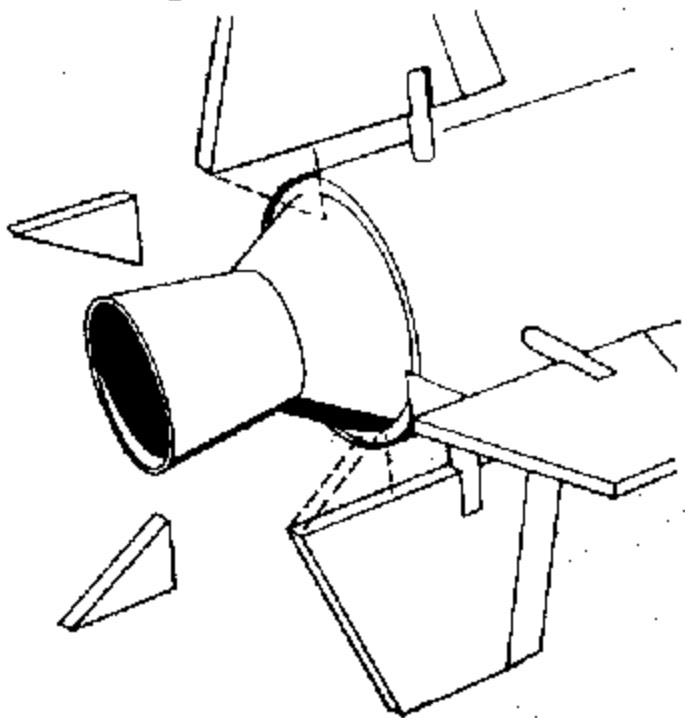
A5-2 B4-2 C6-3



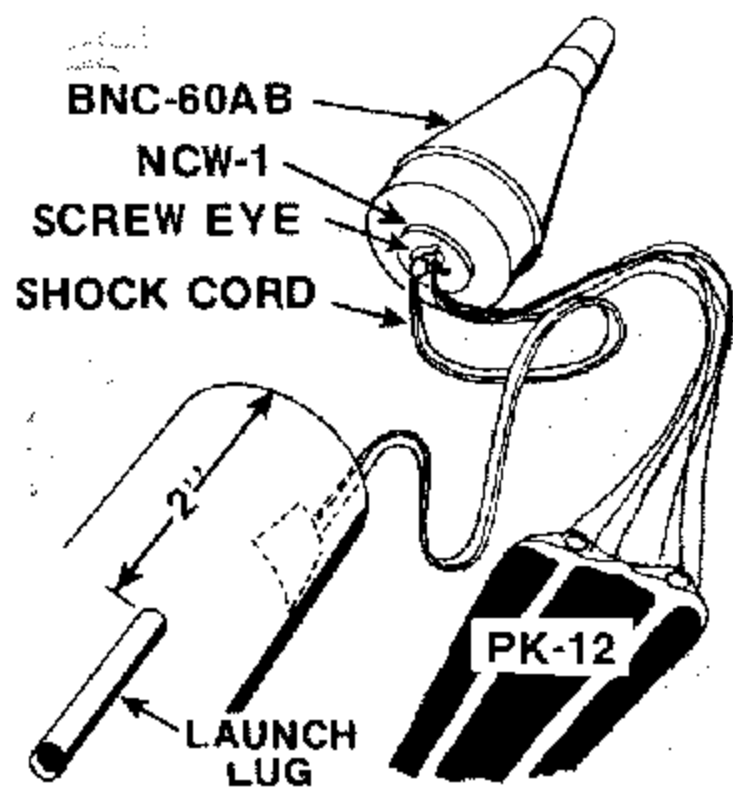
**6** Apply glue fillet to dowel-body tube joint.



**7** Assemble and glue the rear engine mount as shown.



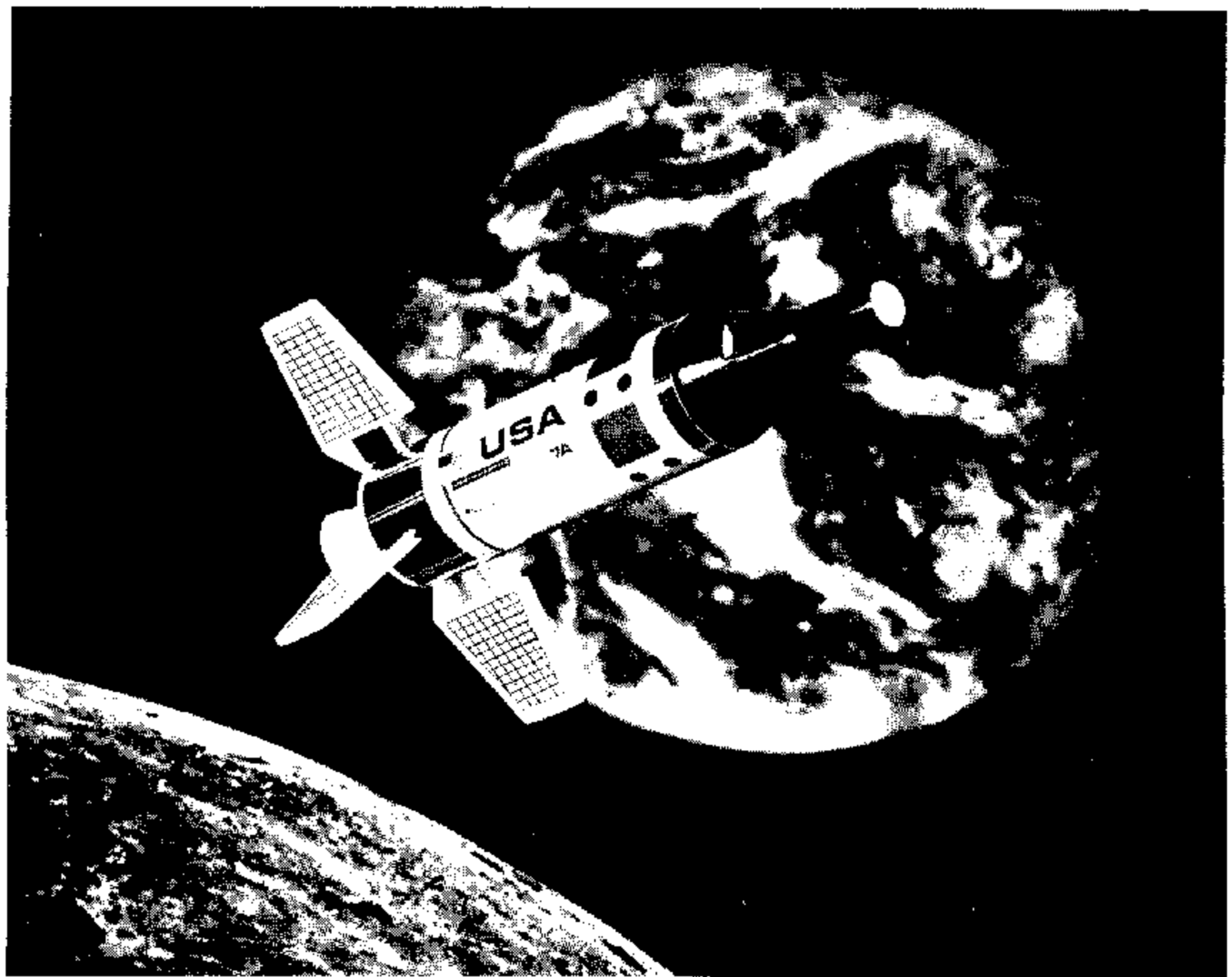
**8** Glue the four small fin holders as shown.



**9** Assemble the recovery system and glue the launch lug.

**PAINTING**

BODY .....WHITE OR SILVER  
 NOSE CONE ..... RED OR SILVER  
 FINS.....BLUE WITH THIN SILVER LINES



## A Quickie Quiz for Beginners

by

Ted Kelley, Sherwood, Oregon

This is a quiz for beginning rocketeers whose careers have just started with the flying of the Astron Alpha. The old "pros" among us can sit back and chuckle about this in their old age. POSSIBLE SCORE: TEN POINTS.

1. Did you try to explain model rocketry to your sister? YES\_\_\_ NO\_\_\_ YES - If you were successful, score one point. NO - Congratulations. Two points.

2. When painting your rocket, did you apply any dope to your beautiful enamel finish, causing the paint to smear all over? YES\_\_\_ NO\_\_\_ YES - Don't worry. You're still in the space race. NO - Score one point.

3. Did you prepare your rocket in advance or did you put in the engine, 'chute, and wadding at the launch pad? PRELOADED\_\_\_ LOADED AT PAD\_\_\_ PRELOADED - You did a good thing. Two points. LOADED AT PAD - Did your spectators have a nice wait?

4. Did your first ignition wire merely fizz? YES\_\_\_ NO\_\_\_ YES - Don't get shook. Just follow directions more closely. NO - One point.

5. Did it take more than three tries to get your rocket into the air? YES\_\_\_ NO\_\_\_ . YES - Don't be alarmed--Rome wasn't built in one day. (Neither was Estes Industries, for that matter.) NO - One point.

6. Did you launch your rocket in high wind, despite all warnings? YES\_\_\_ NO\_\_\_ . YES - Don't sweat about it. All beginners do it. NO - One point.

7. Did you spend more than three hours looking for your lost rocket? YES\_\_\_ NO\_\_\_ . YES - Oh, come now! Nobody does that! NO - One point.

8. Did you get so excited on the first flight that you forgot to pull the key out of your launcher, causing the batteries to wear down? YES\_\_\_ NO\_\_\_ . YES - You'd better watch out--this is only excusable once. NO - One point.

**SCORE**

9 to 10. You cheated. Start all over and tell the truth.

6 to 8. You have great foresight and a great future.

3 to 5. Watch it! Your future is in danger.

0 to 2. Read the Technical Section of your Estes catalog and start all over.