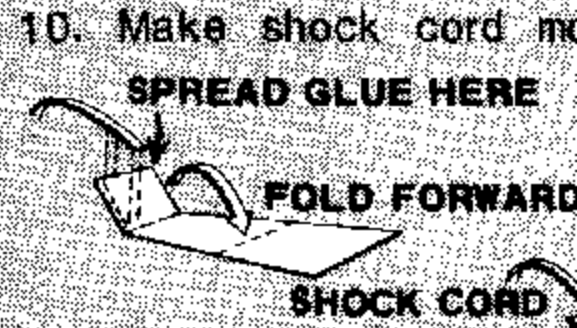


GIGANTIROC 2-A 7ft. 3in. tall

by Jimmy J. Johnson, N.A.R. #11060
Member of Robert Goddard Model Rocket
Research Society
Prince Fredrick, Maryland

November 1970 Design of the Month
Honorable Mention

ESTES INDUSTRIES ROCKET PLAN NO. 74



Construct this model with Estes High Performance Model Rocketry Supplies

PARTS LIST

- A. 1 Body Tube 18".....BT-60
- B. 1 Body Tube 18".....BT-55
- C. 1 Body Tube 18".....BT-20
- D. 3 Body Tube 18".....BT-5
- E. 1 Nose Block.....NB-60
- F. 1 Nose Cone.....BNC-5W
- G. 1 Balsa Adapter.....TA-5560
- H. 1 Balsa Adapter.....TA-2055
- I. 2 Fin Stock (2 Sheets).....BFS-40L
- J. 2 Launch Lugs.....LL-2B
- K. 3 Parachute Kit.....PK-24
- L. 1 Screw Eye.....SE-1
- M. 1 Shock Cord.....SC-3
- N. 1 Multi-Purpose Paper Adapter Set.....TA-1
- O. 1 Engine Mount.....EM-5063

In addition to the parts listed above, you will also need a modeling knife, scissors, sandpaper, a brush and paints, sanding sealer, and white glue.

SPECIFICATIONS

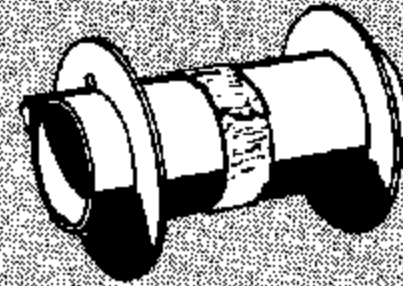
Length.....87"
Body Diameter.....1.637"
Weight.....4 ozs.

RECOMMENDED ENGINES

D12-3 D12-5

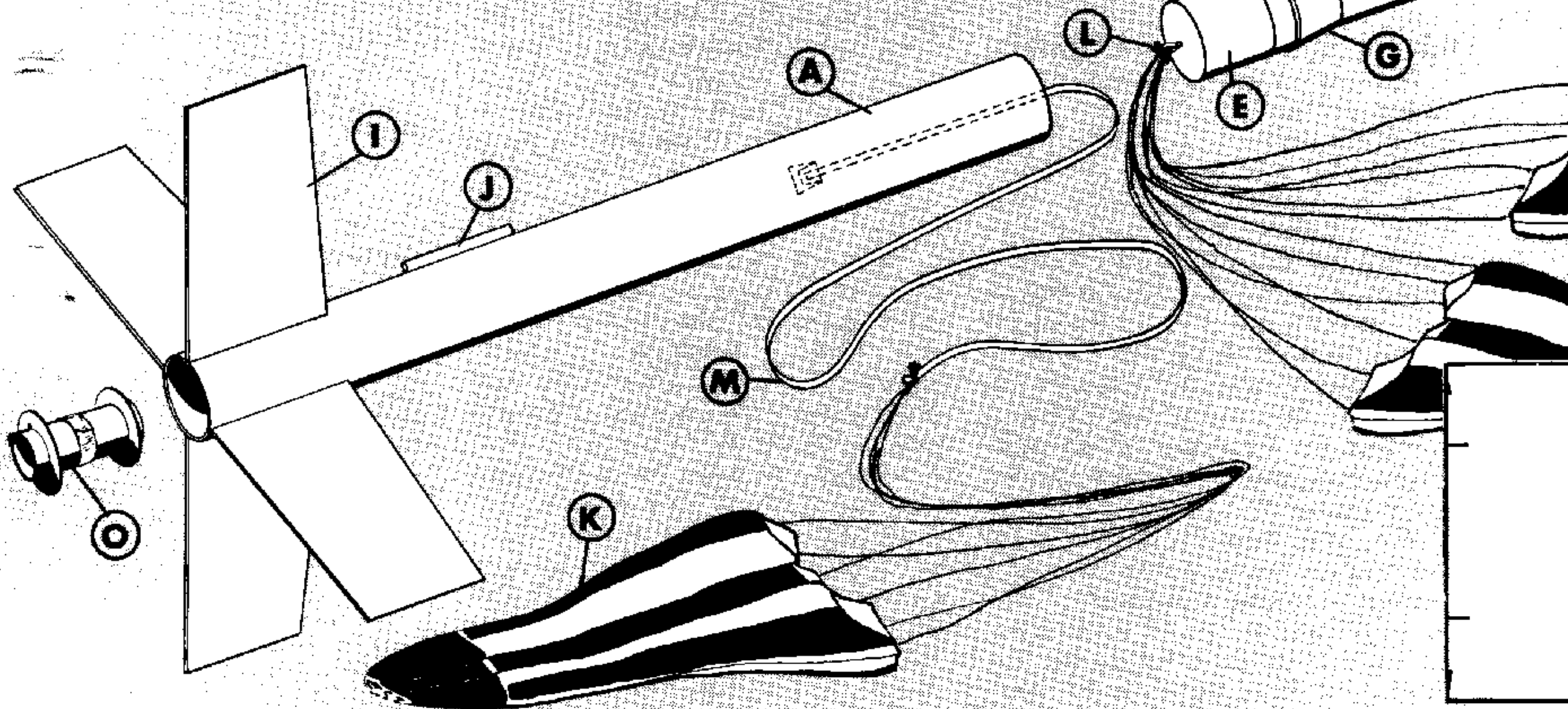
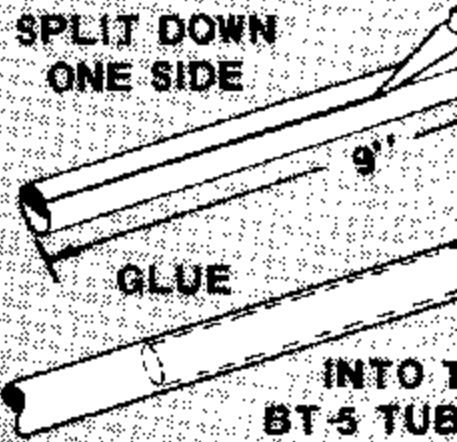
ASSEMBLY INSTRUCTIONS

1. Assemble engine mount EM-5063 as per instructions with one exception: omit BT-60J. BT-60J will not be used in the construction of this model.
2. Glue engine mount in BT-60, leaving engine hook flush with the bottom of the tube.
3. Mark BT-60 for four fins, using fin marking guide.
4. Using fin pattern, cut out four fins from two sheets of BFS-40L. Sand, shape, and glue on BT-60.
5. Glue launch lug on BT-60 five inches from the end of the tube.
6. Install and glue screw eye in NB-60.
7. Glue TA-5560 straight on to NB-60.
8. Glue BT-55 to TA-5560, glue TA-2055 to BT-55, and glue BT-20 to TA-2055.
9. Using standoff pattern, cut out launch lug standoff from scrap balsa. Glue launch lug to standoff and glue this assembly to BT-55 five inches from the end of the tube.



11. Assemble the para directions. Attach on shock cord and two screw eye.

12. For internal bracing BT-5 in half. Split completely down one 9" BT-5 section in glue it between two. While glue is drying, a straight flat surface alignment and a good which is left will ne construction of this mode



mount from the pattern.

RE

WARD

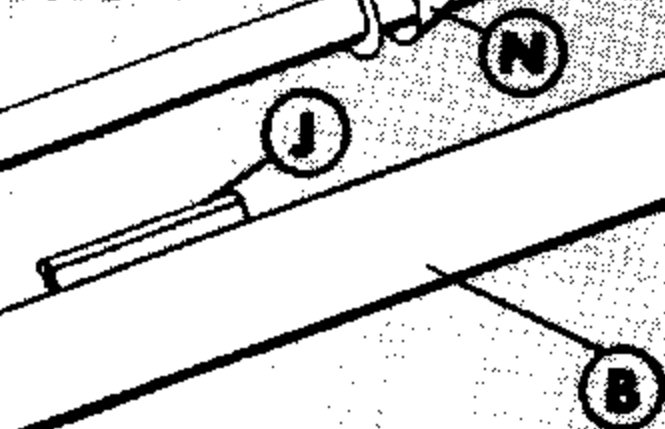
FOLD FORWARD

parachutes according to
 h one parachute to end of
 l two parachutes to the

acing of BT-5's, cut one
 split one 9" BT-5 section
 n one side. Roll the split
 n into a tight circle and
 two full length BT-5 tubes.
 ying, roll the BT-5's along
 surface to assure proper
 good joint. The 9" BT-5
 ll not be used in the com-
 model.

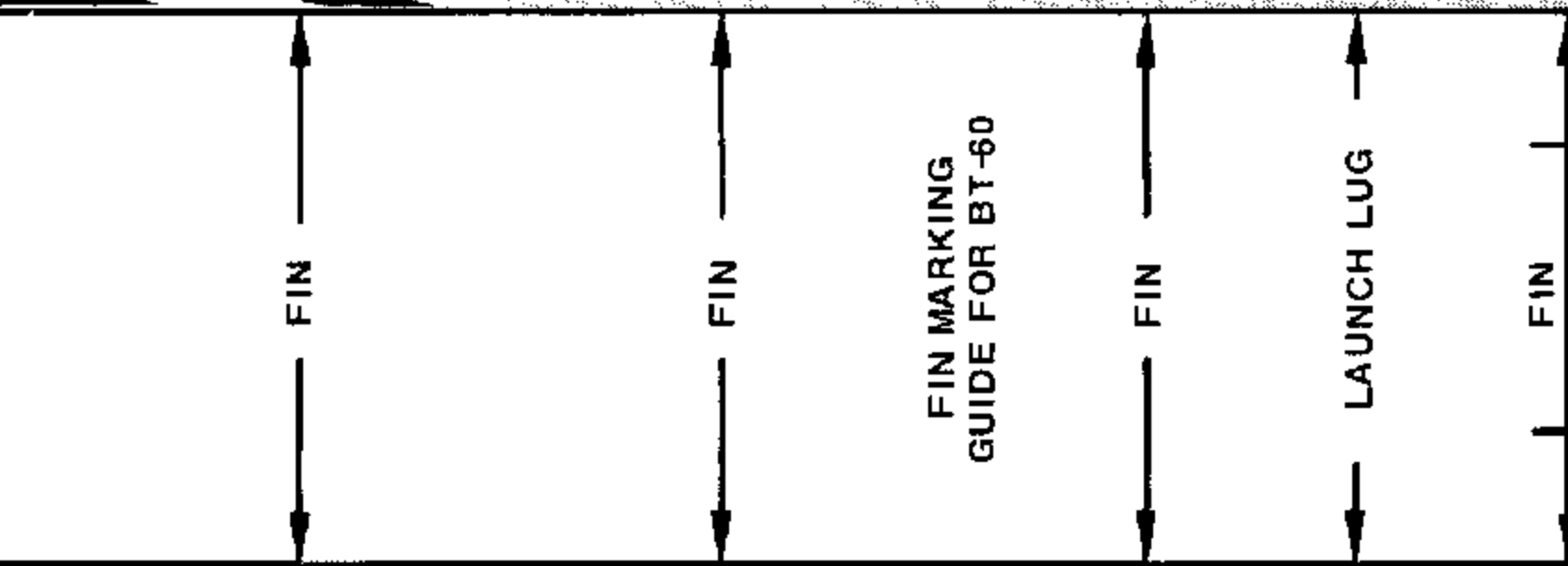


TO TWO
 TUBES

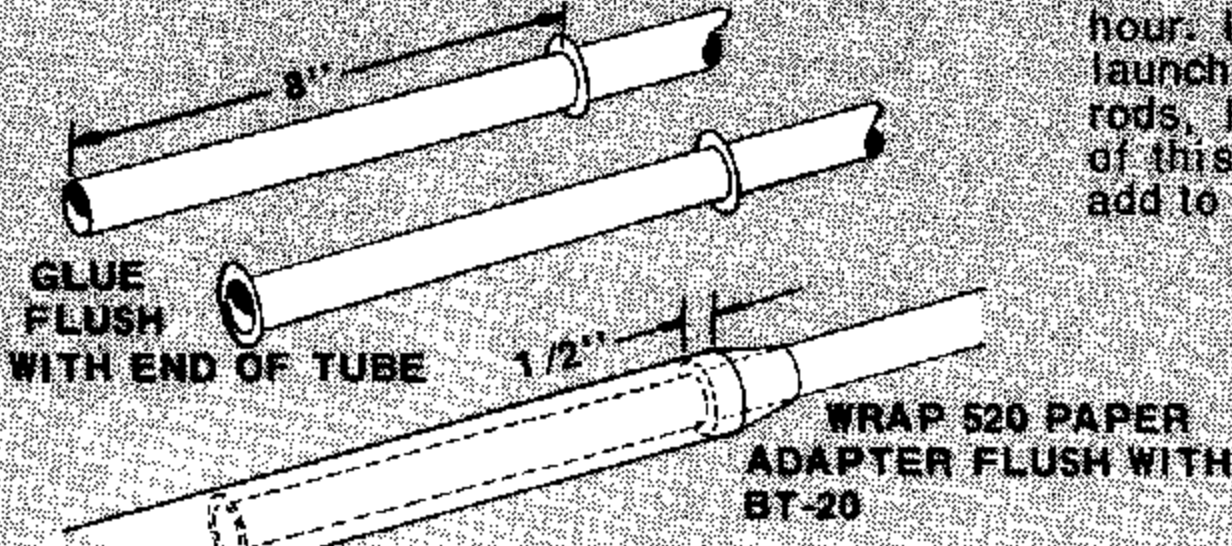


STANDOFF PATTERN

(MAKE 1 OUT OF SCRAP)



13. Glue one 520 ring from TA-1 Multi-Purpose Paper Adapter Set onto BT-5, 8" from the bottom of the tube. Glue another 520 ring flush to the bottom of BT-5. Install and glue this assembly into the BT-20 so the top ring is 1/2 inch from the end of the BT-20. Make a 520 paper adapter according to directions in the Multi-Purpose Paper Adapter Set. Install between BT-5 and BT-20.



14. Place nose cone BNC-5W in the end of the BT-5.

PAINTING

Paint pattern for the Gigantiroc-2A is left totally up to the creative imagination of the Estes rocketeers.

LAUNCHING

The designer advises that Gigantiroc-2A should not be launched in winds over 10 miles per hour. In addition to a standard Estes two-piece launch rod, we recommend one or two add-on rods, RLF-3, be used when launching a model of this size. A larger launch rod will definitely add to the reliability of your flight.

SHOCK CORD MOUNT

