

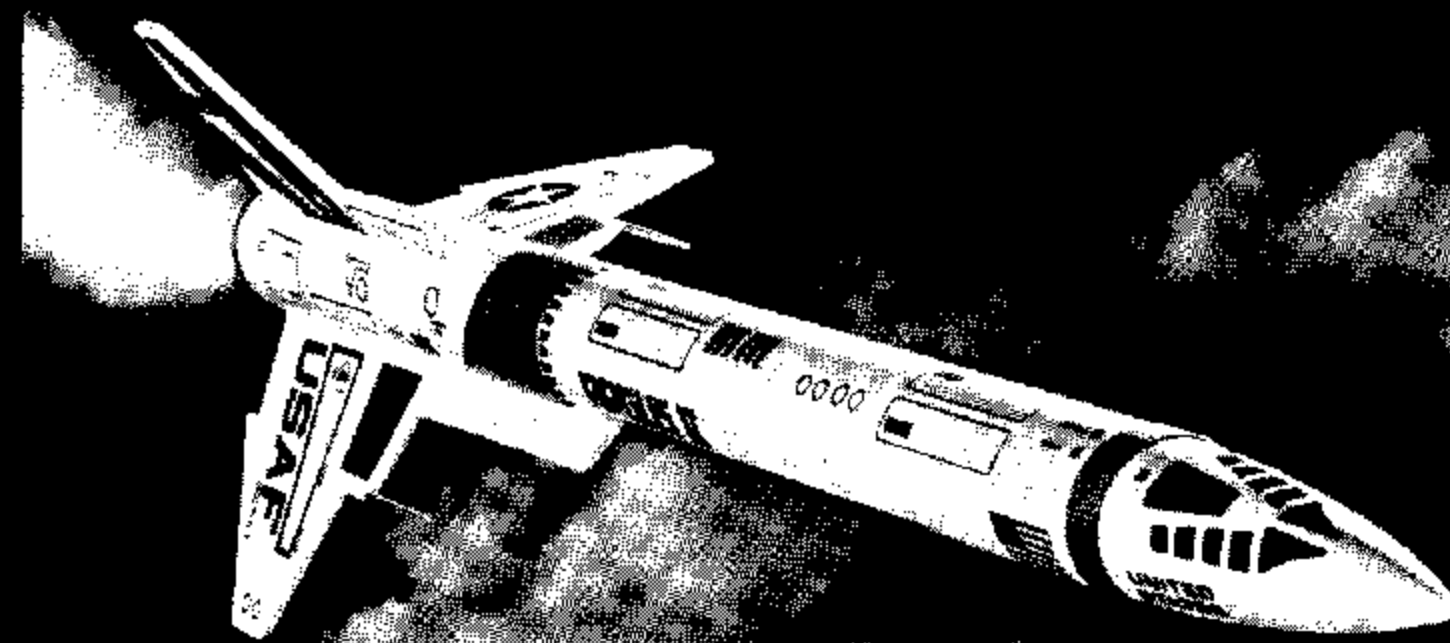
ARGUS II

SKILL LEVEL 2

FIRST PLACE WINNER
DESIGN OF THE MONTH

By BUFORD TAYLOR
Xenia, Ohio

ESTES INDUSTRIES ROCKET PLAN NO. 84



★ BUILD THE ARGUS II WITH ESTES HIGH PERFORMANCE PARTS AND ACCESSORIES.

PARTS LIST

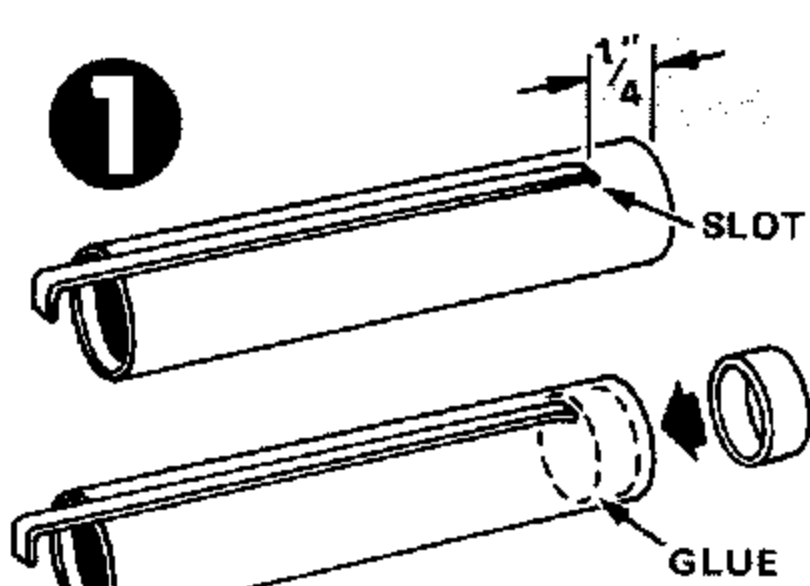
1	Body Tube	BT-55V
1	Nose Cone	BNC-55F
2	Launch Lugs	LL-2A
1	Screw Eye	SE-2
1	Shock Cord	SC-1
1	18" Parachute	PK-18
1	Balsa Fin Stock	BFS-40L
2	Toothpicks	
1	Engine Mount	EH-2055
1	Engine Hook	EH-2

ADDITIONAL MATERIALS

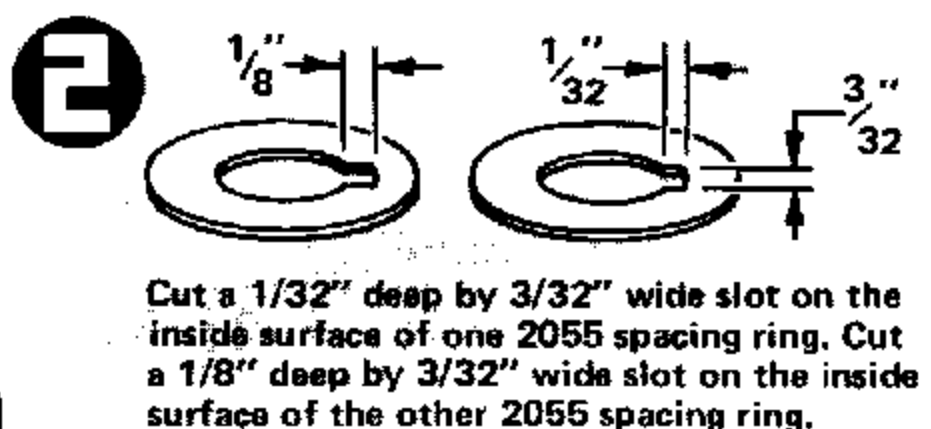
- Hobby Knife
- White Glue
- Ruler
- Sanding Material
- Sanding Sealer
- Enamel Paint (Spray)
- Sharp Pencil

RECOMMENDED ENGINES

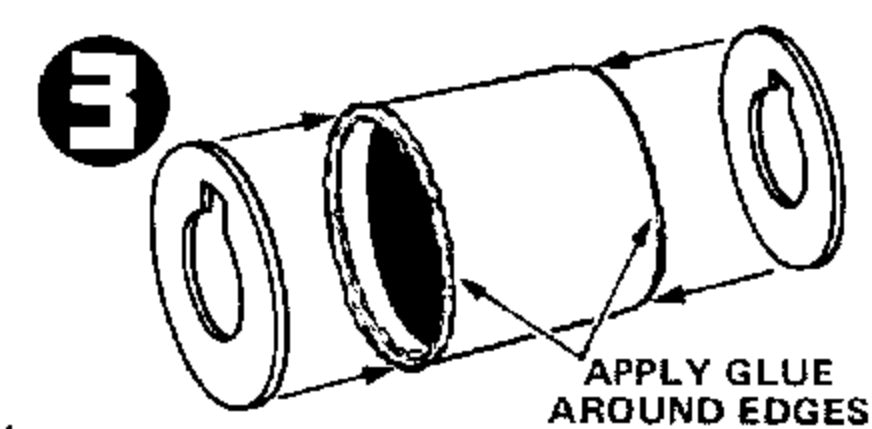
B4-2 B6-4 C6-5



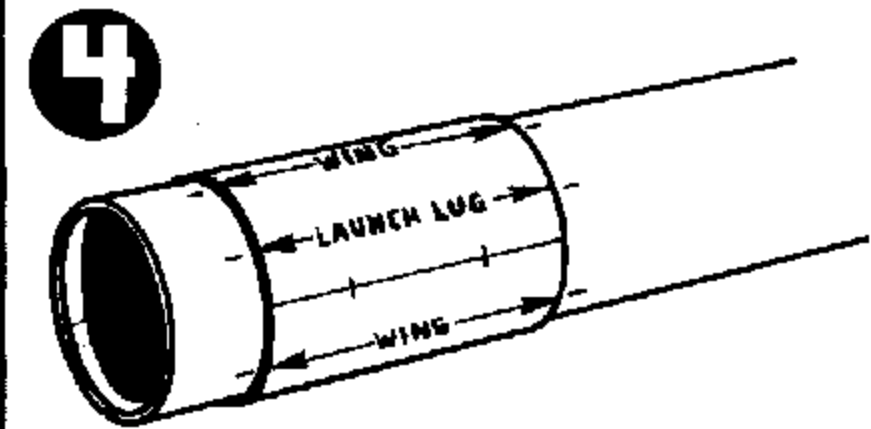
1 Mark the BT-20 engine tube 1/4" from one end. Punch a 1/8" wide slot on this mark and insert EH-2 engine hook. Spread glue 1/4" inside the end of the engine holder tube nearest the slot and insert the engine block. Push it in place until it touches engine hook and is flush with the end of the engine holder tube.



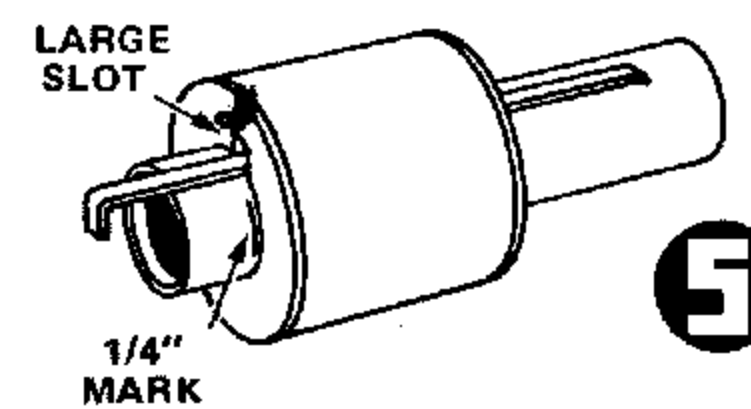
2 Cut a 1/32" deep by 3/32" wide slot on the inside surface of one 2055 spacing ring. Cut a 1/8" deep by 3/32" wide slot on the inside surface of the other 2055 spacing ring.



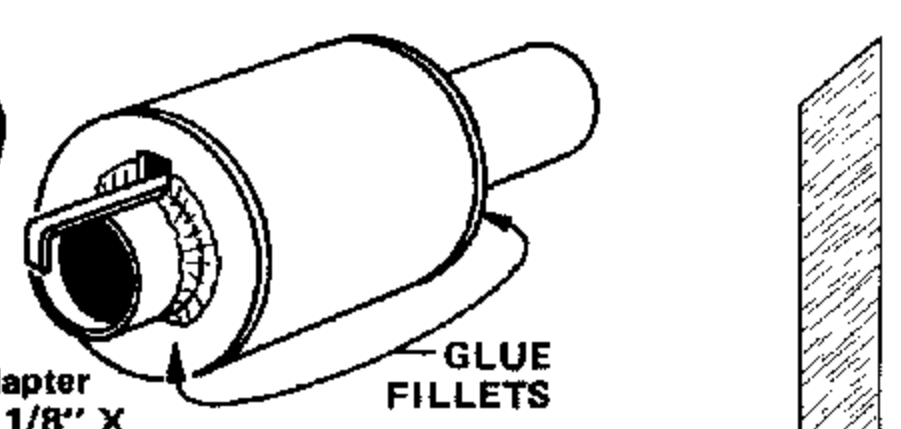
3 Apply a line of glue around each end of the stage coupler. Place a spacing ring on each end as shown and wipe off excess glue. Be sure that slots are in line with each other. Set this and the engine holder assembly aside to dry completely.



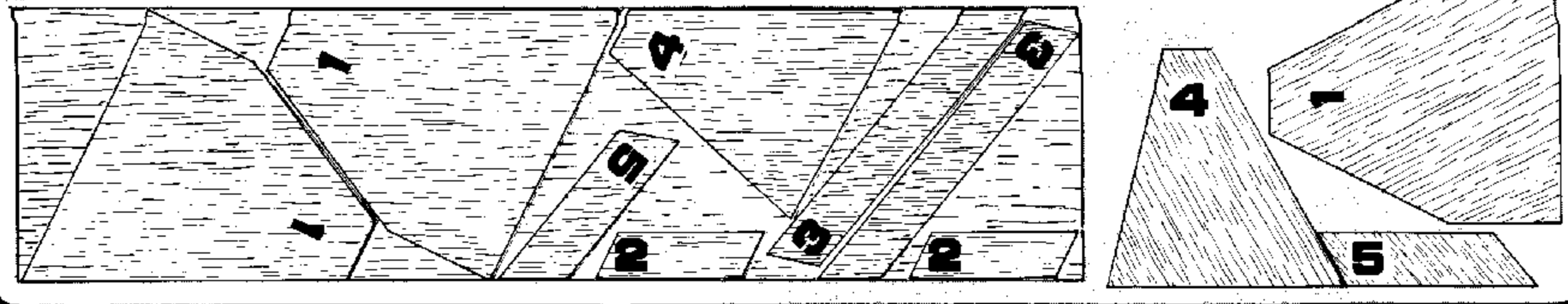
4 Cut out the body tube marking guide. Wrap it around the rear of the body tube and mark the tube at each arrow point. Remove the guide and draw a straight line the entire length of the tube connecting each matching front and rear mark.

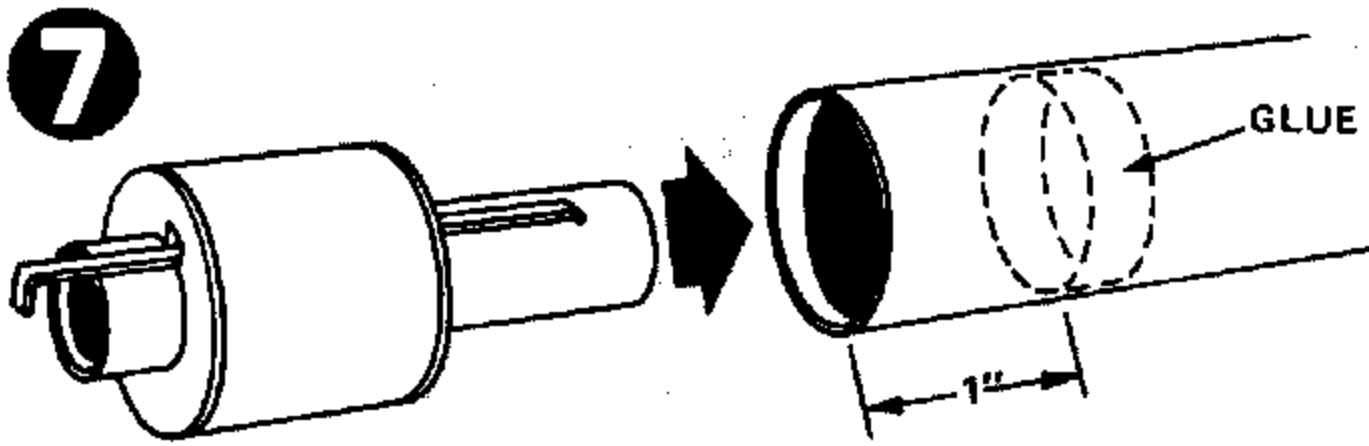


5 Mark the engine holder tube 1/4" from the end (end opposite engine block) as shown. Slide the engine holder assembly into the adapter assembly so the spacing ring with the larger 1/8" X 3/32" slot is on the 1/4" mark. Apply a fillet of glue around each ring-body tube joint, being careful not to get glue in the spacing ring slots. Allow unit to dry completely.

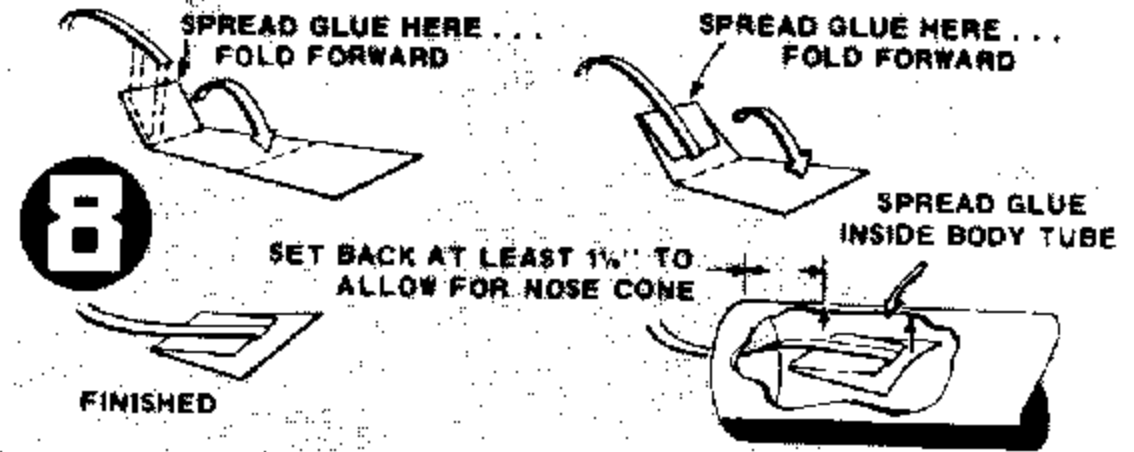


6 Using the fin patterns, trace and cut out fins from BFS-40L as shown. Glue the antenna mount (section 2) to the main wing (section 1) and the front wing (section 3) to the antenna mount as shown. Cut each toothpick into two inch sections and glue onto section 2 as shown. Glue wing assemblies onto appropriate lines on body tube 1/4" from rear of the tube. Glue the front rudder (section 5) to the main rudder (section 4). Glue the rudder assembly onto appropriate line on body tube 3/4" from the rear of the tube.



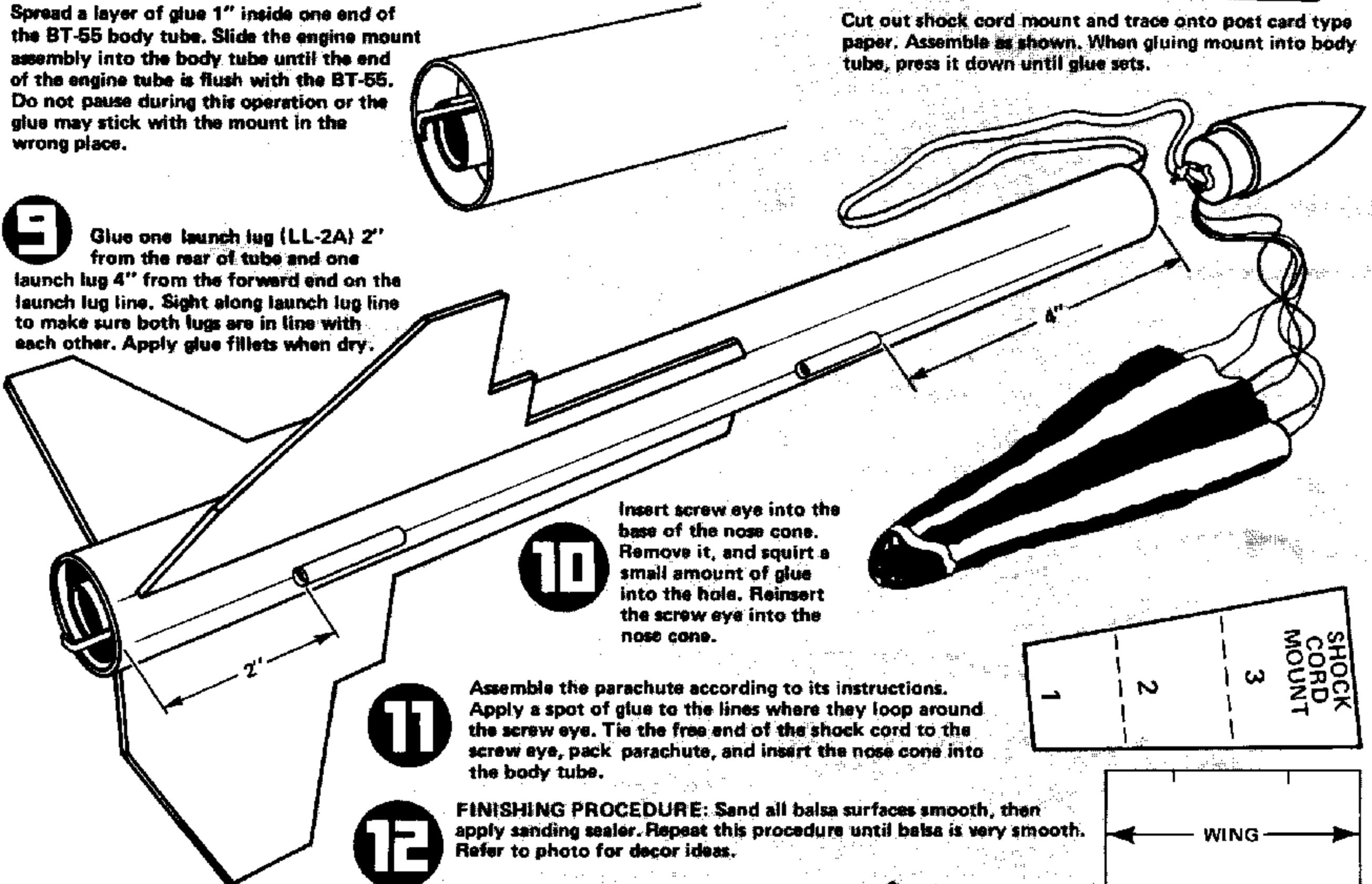


7 Spread a layer of glue 1" inside one end of the BT-55 body tube. Slide the engine mount assembly into the body tube until the end of the engine tube is flush with the BT-55. Do not pause during this operation or the glue may stick with the mount in the wrong place.



8 Cut out shock cord mount and trace onto post card type paper. Assemble as shown. When gluing mount into body tube, press it down until glue sets.

9 Glue one launch lug (LL-2A) 2" from the rear of tube and one launch lug 4" from the forward end on the launch lug line. Sight along launch lug line to make sure both lugs are in line with each other. Apply glue fillets when dry.



10 Insert screw eye into the base of the nose cone. Remove it, and squirt a small amount of glue into the hole. Reinsert the screw eye into the nose cone.

11 Assemble the parachute according to its instructions. Apply a spot of glue to the lines where they loop around the screw eye. Tie the free end of the shock cord to the screw eye, pack parachute, and insert the nose cone into the body tube.

12 FINISHING PROCEDURE: Sand all balsa surfaces smooth, then apply sanding sealer. Repeat this procedure until balsa is very smooth. Refer to photo for decor ideas.

