

SIDEWINDER II

SKILL LEVEL 3

PARTS LIST

A	1	Nose Cone (type PNC-55A01)	71075
B	1	Body Tube (type BT-55)	3074
C	1	Stage Coupler (type JT-55C)	3053
D	1	Parachute (type PK 18)	2267
E	1	Shock Cord 1/8" wide	2276
F	1	Screw Eye - 3/4" long	2283
G	2	Engine Mount (type EH-2055)	3151
H	1	Fin Stock (type BFS-30)	32108
I	1	Fin Stock (type BFS-30L)	32110
J	1	Launch Lug	7321

ADDITIONAL MATERIALS

Hobby knife, white glue, plastic glue, sanding sealer, sandpaper, ruler, and spray paint

RECOMMENDED ENGINES

TOP STAGE

1/2AG4 AG-5 (First Flight)

B4-G B6-G C6-7

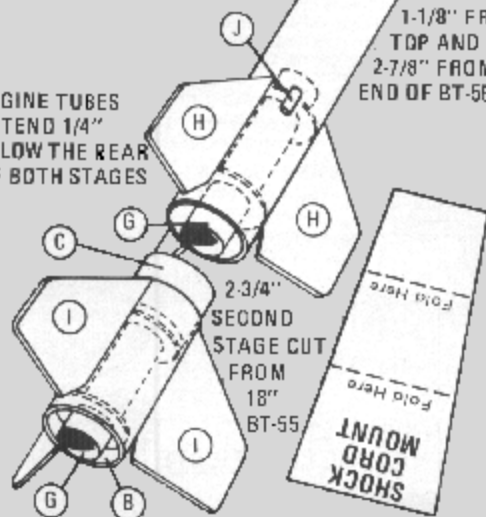
LOWER STAGE

AB-D (First flight) BG-0

C6-D

15-1/4"
FIRST STAGE
OUT FROM
18" BT-55

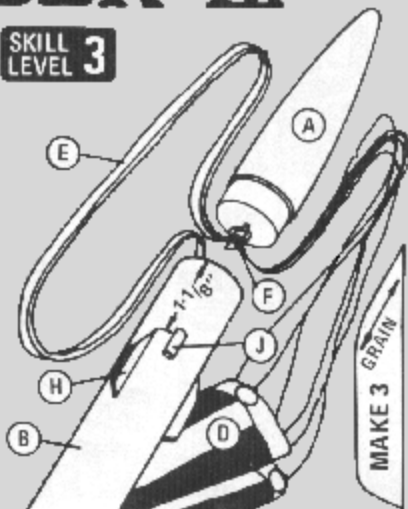
ENGINE TUBES
EXTEND 1/4"
BELOW THE REAR
OF BOTH STAGES



2-3/4"
SECOND
STAGE CUT
FROM
18"
BT-55

SHOCK
CORD
MOUNT

1/2"
LAUNCH
LUGS
PLACED
1-1/8" FROM
TOP AND
2-7/8" FROM
END OF BT-55



1ST STAGE FIN
MAKE 3
ACTUAL SIZE

ROOT EDGE

GRAIN

2ND STAGE FIN
MAKE 3
ACTUAL SIZE

ROOT EDGE

GRAIN