

# Starhawk™ ASSEMBLY INSTRUCTIONS

**Things You'll Need To Assemble this Kit:**  
Hobby Knife and Pencil

Sandpaper (220 or 320 Grit)

White Glue

Aliphatic Resin glues work best such as TITEBOND or ELMER'S CARPENTER'S WOOD GLUE - ELMER'S WHITE SCHOOL GLUE also works but dries slower.

Plastic Cement

Use TESTORS TUBE Plastic Cement, PACTRA LIQUID CEMENT or other comparable brands. DO NOT use cyanoacrylate glue.

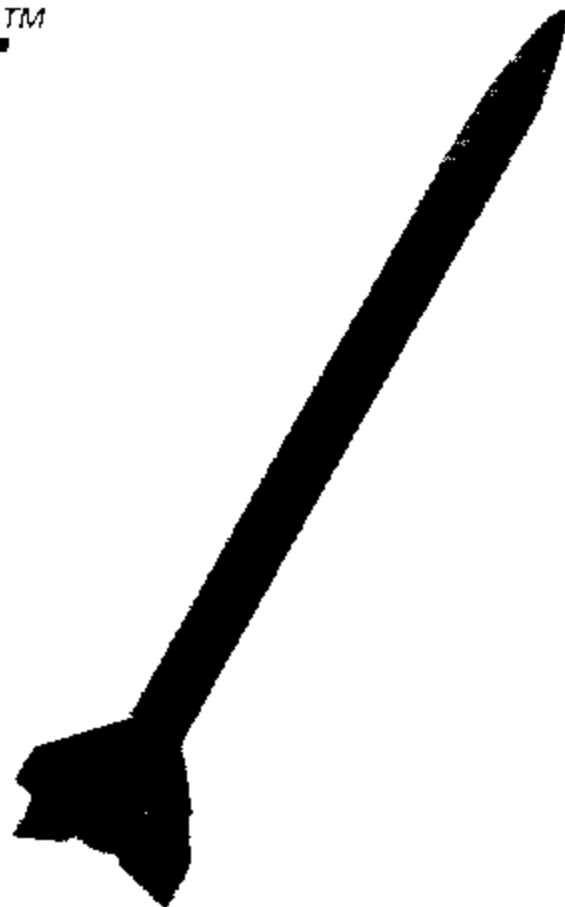
Tape

Scotch Magic Tape or Paper Masking Tape



Prod. No. 1502

Skill Level One

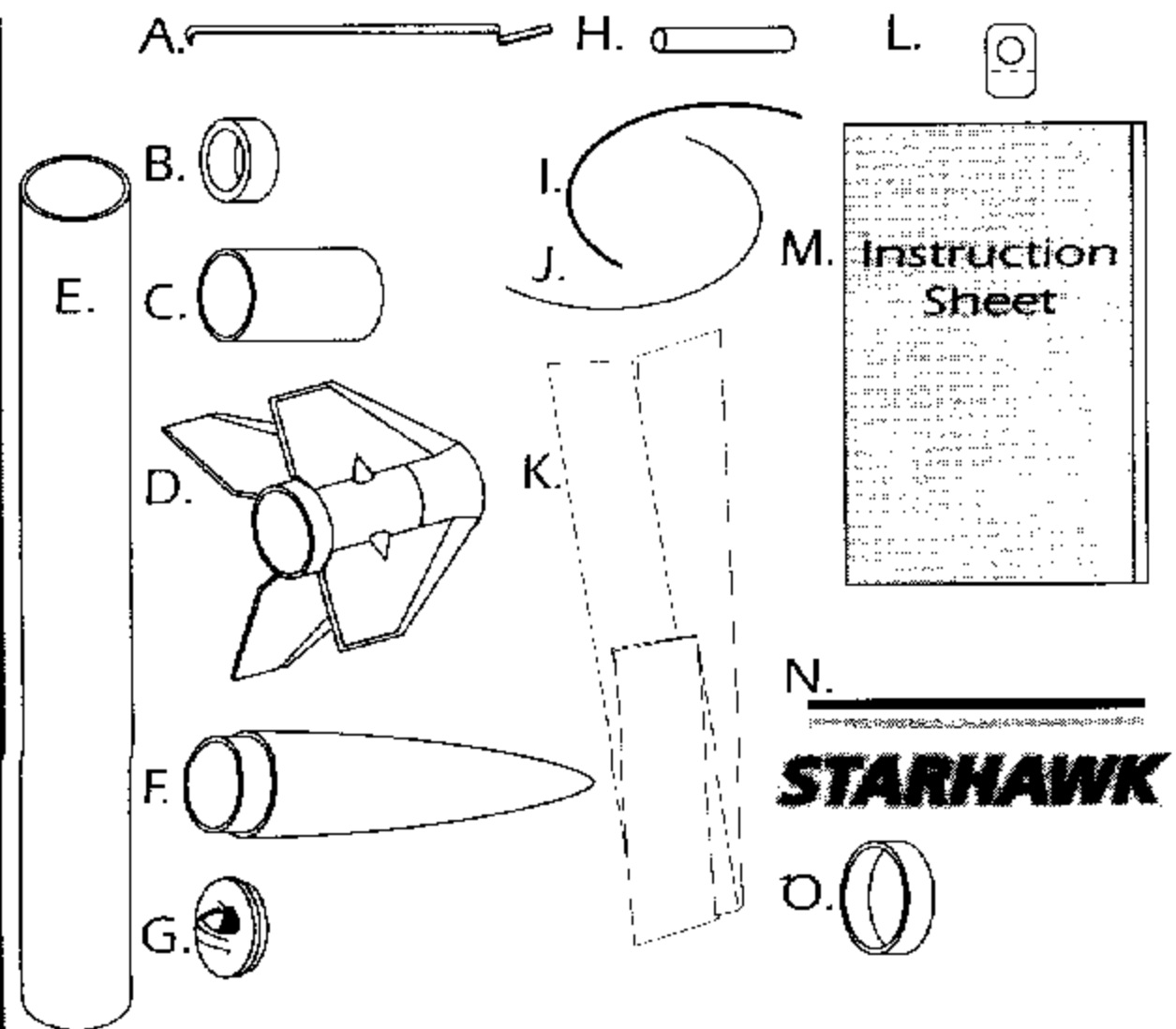


**BEFORE STARTING ASSEMBLY READ THROUGH THESE INSTRUCTIONS. IT IS BEST TO TEST FIT ALL PARTS BEFORE APPLYING ANY GLUE. READ AND FOLLOW THE NAR MODEL ROCKET SAFETY CODE.**

## PARTS LIST

- A. 49000 Motor Clip
- B. 14000 Blue Thrust Ring
- C. 10302 Yellow Motor Mount Tube
- D. 21550 Plastic Fin Unit
- E. 11201 White Body Tube
- F. 20079 Plastic Nose Cone
- G. 20080 Nose Cone Base
- H. 10000 Launch Lug
- I. 50051 18inch Kevlar\* Shock Cord
- J. 50011 18 inch White Elastic Shock Cord
- K. 28300 24 inch Plastic Streamer
- L. 28001 Single Gripper Tab
- M. 96001 Instructions
- N. 91501 Decal
- O. 10306 Motor Clip Retainer Ring

\* Kevlar is a registered trademark of Dupont

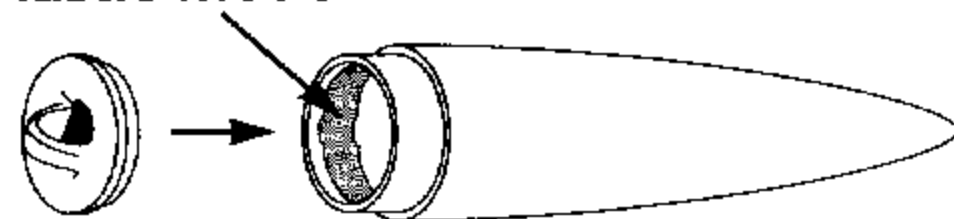


## STEP 1

**A.** Trim any plastic "Flash" from the nose cone, nose cone base and plastic fin unit with a sharp hobby knife.

**B.** Apply plastic model cement (not white glue) around the inside edge of the plastic nose cone. Push the base into the nose cone. Set aside to dry.

**Plastic Model Cement**

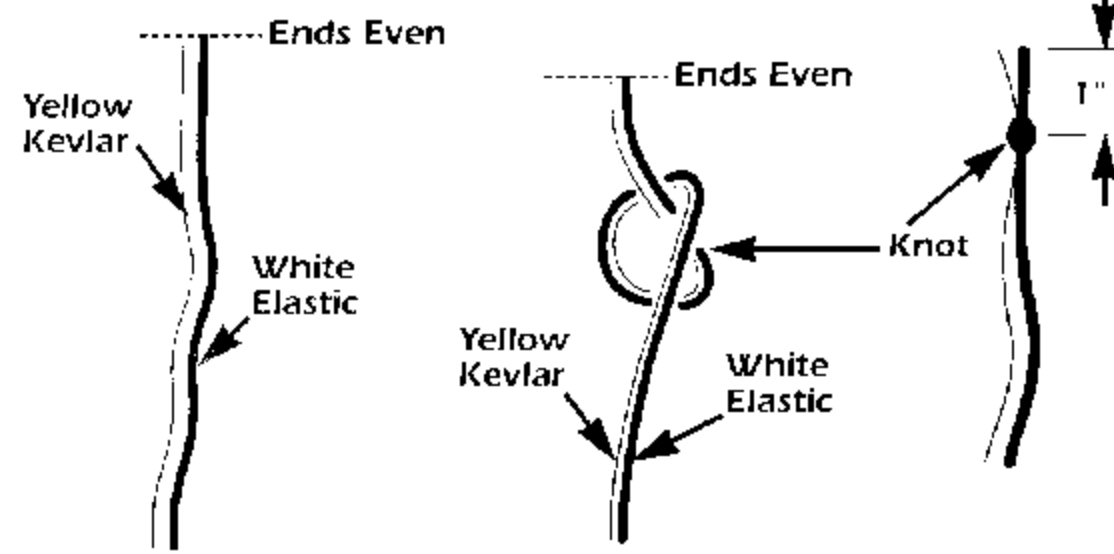


## STEP 2

A. Hold the Yellow Kevlar Shock Cord and the White Elastic Shock Cord side by side. Pull one end of each cord so that they are even with each other. While holding the two cords together, tie a single parallel overhand knot approximately one inch in from the even ends as shown.

B. Gently pull on both cords to set the knot and prevent it from slipping.

C. Apply a small amount of white glue on the ends of both cords to prevent them from fraying.

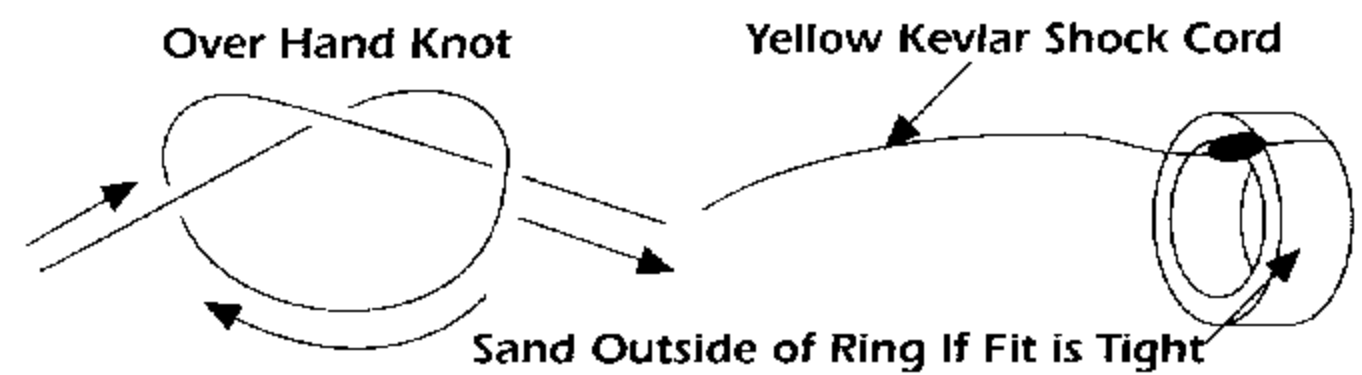


NOTE: THIS IS A VERY IMPORTANT STEP. IF YOU TIE A DIFFERENT TYPE OF KNOT THE SHOCK CORDS MAY SEPARATE DURING FLIGHT.

## STEP 3

A. Test fit the Blue Thrust Ring into one end of the Yellow Motor Mount Tube. If the fit is tight, sand the outside of the Blue Thrust Ring until you get a looser fit.

B. Tie the Yellow Kevlar Shock Cord onto the Blue Thrust Ring using two overhand knots as shown.

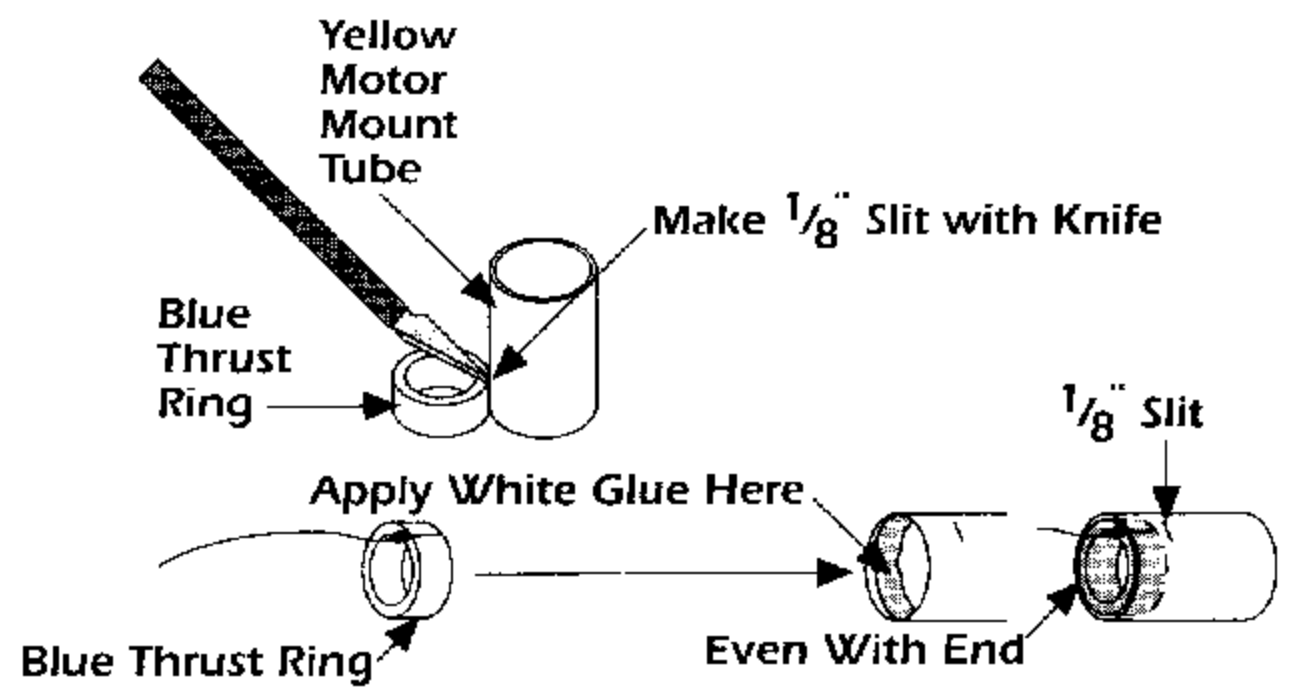


## STEP 4

A. Place the Blue Thrust Ring up against the side of the Yellow Motor Mount Tube and use it as a guide to cut a 1/8 inch long slit in the side of the Yellow Motor Mount Tube as shown.

B. Apply white glue around the inside edge of the Yellow Motor Mount Tube as shown.

C. Insert the Blue Thrust Ring into the Yellow Motor Mount Tube with the Yellow Kevlar and knot facing as shown until it is even with the end of the Yellow Motor Mount Tube.

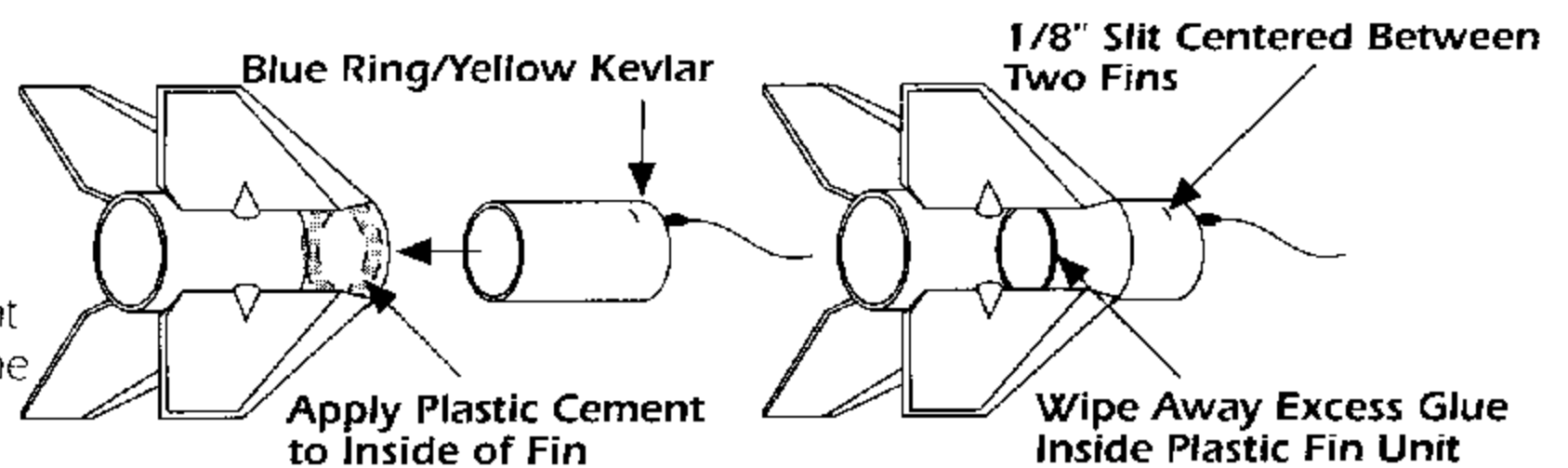


## STEP 5

A. Apply plastic cement around forward inside edge of the plastic fin unit as shown.

B. Position the yellow motor mount tube so that the end without the blue thrust ring is facing the plastic fin unit as shown.

C. Insert the yellow motor mount tube into the plastic fin unit. CHECK TO BE SURE THE SLIT YOU MADE IN STEP 4 IS CENTERED BETWEEN TWO FINS. **IMPORTANT: Wipe away any excess glue from the inside of the plastic fin unit.**

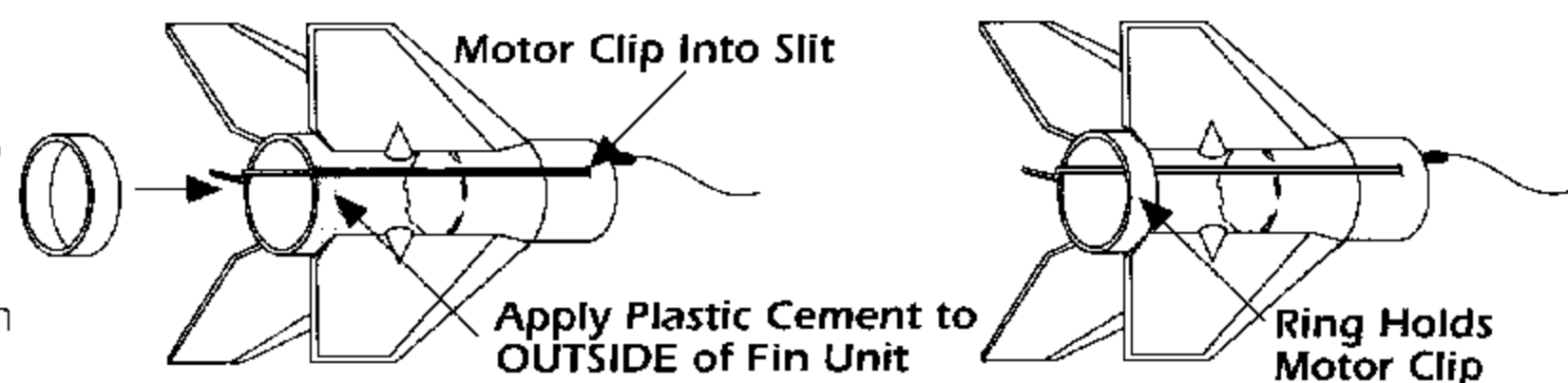


## STEP 6

A. Apply a small bead of plastic cement around the OUTSIDE of the plastic fin unit as shown.

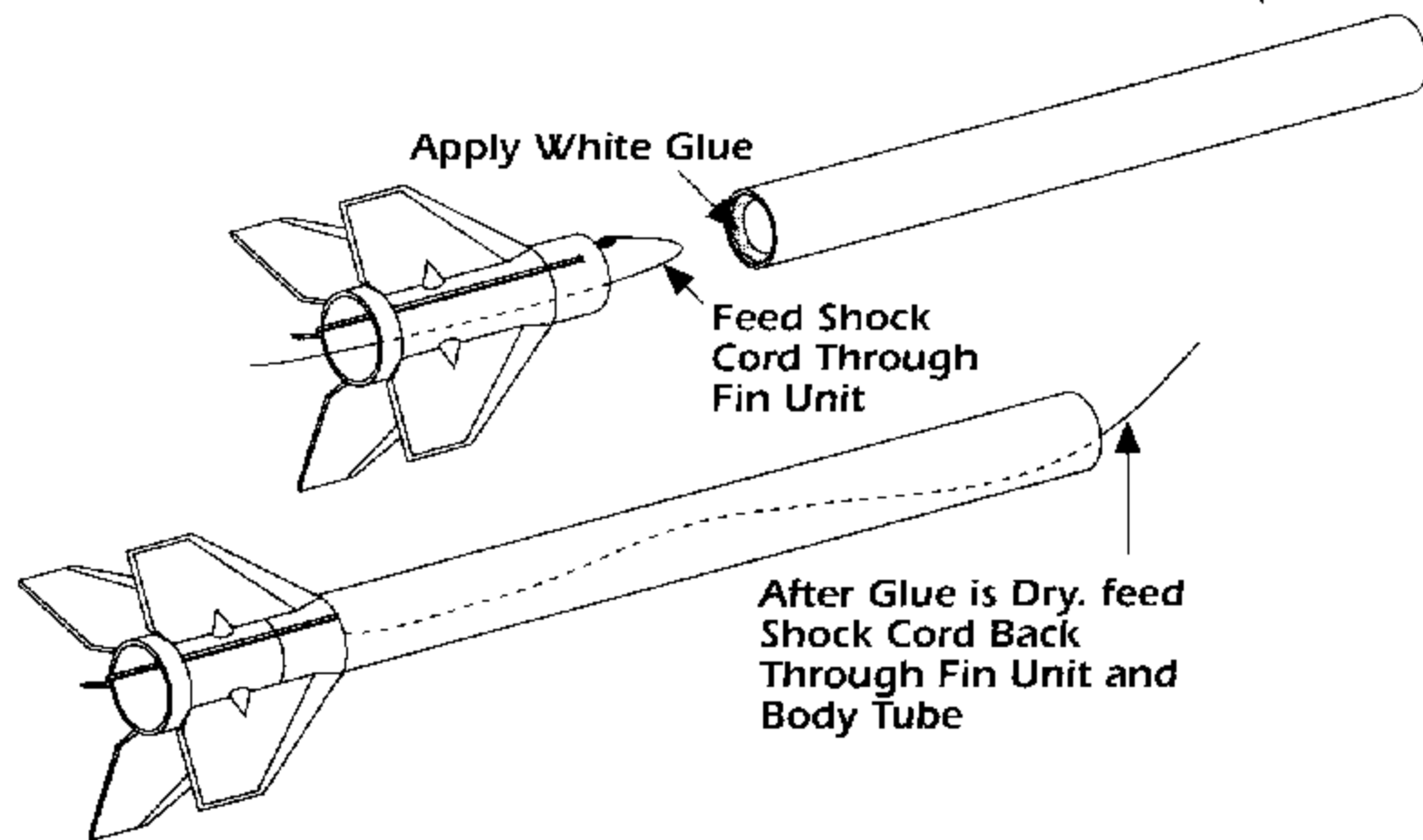
B. Insert the motor clip into the slit you made in the yellow motor mount tube.

C. Slip the motor clip retainer ring onto the rear of the plastic fin unit and over the motor clip. **WIPE AWAY ANY EXCESS GLUE.**



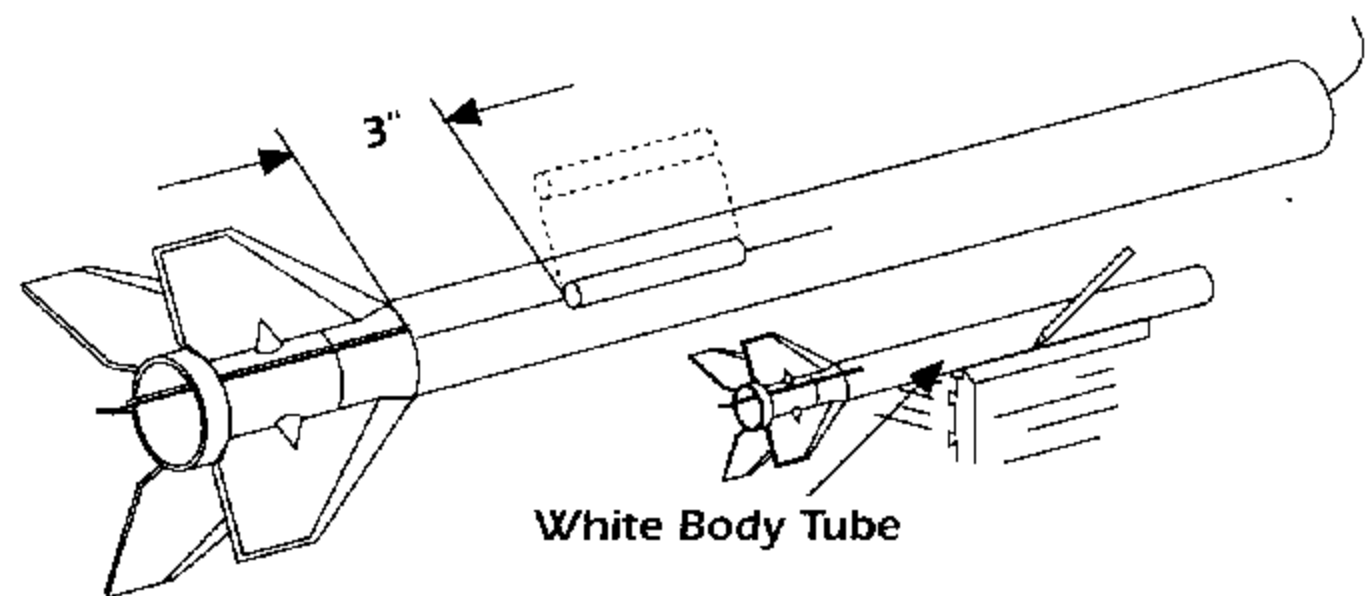
## STEP 7

- A. Feed the shock cord back through the plastic fin unit as shown.
- B. Apply white glue around the inside of the White Body Tube as shown.
- C. Insert the plastic fin unit/motor mount assembly into the White Body Tube. Wipe away any excess glue.



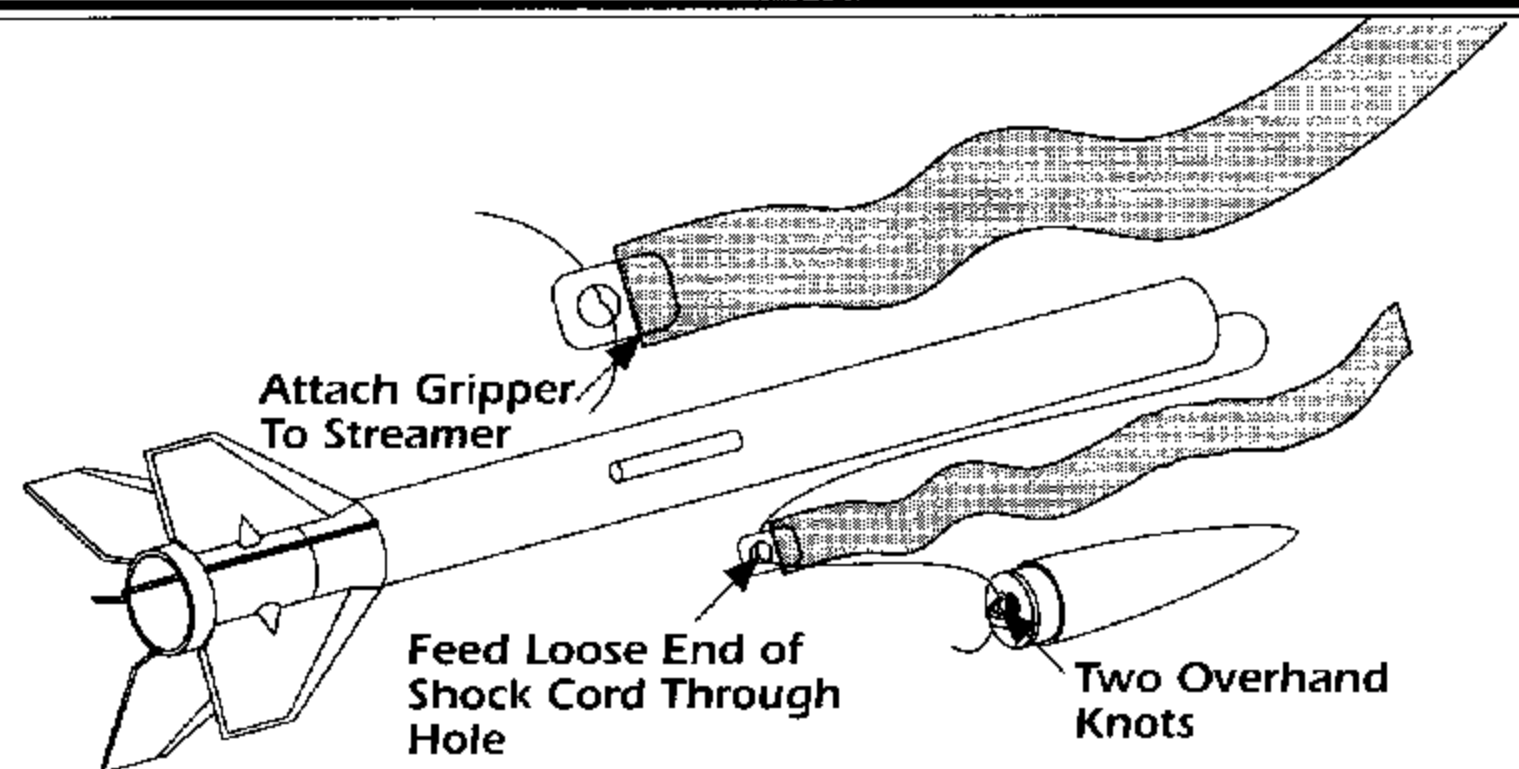
## STEP 8

- A. Make a pencil mark on the body tube between the two fins with the motor clip in between them.
- B. Use a drawer edge as a guide and draw a light pencil line down the length of the White Body Tube.
- C. Make a pencil mark on the line you've drawn on the White Body Tube 3 inches from the body tube/plastic fin unit seam as shown.
- D. Apply white glue to the launch lug and place the launch lug along the pencil line with one end even with the 3 inch mark as shown. NOTE: Be sure launch lug is lined up straight along the White Body Tube.



## STEP 9

- A. Peel the backing off the gripper tab and attach it to one end of the plastic streamer. Firmly squeeze the gripper tab and streamer between your fingers.
- B. Feed the loose end of the shock cord through the hole in the gripper tab.
- C. Use two overhand knots to tie the loose end of the shock cord onto the nose cone.

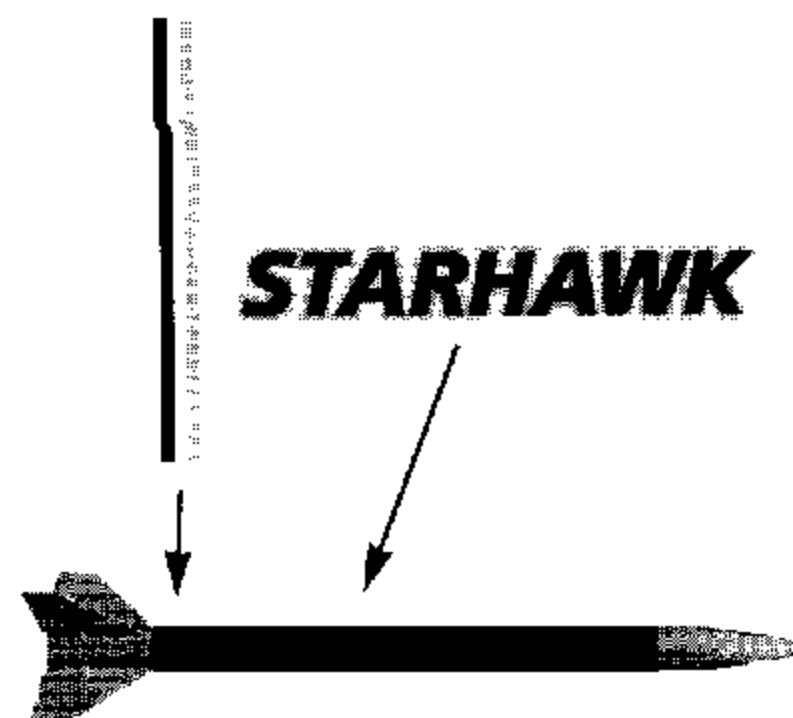


## STEP 10

- A. Apply the self-adhesive decal to your rocket as shown here.

NOTE: Use caution when removing the decal from the backing to prevent decal from curling over onto itself.

OPTIONAL PAINT SCHEME: If you would like to paint your model to look like the kit panel, paint the body tube semi-gloss black. Cut the white bands out of the decal with a sharp hobby knife and apply each fluorescent band separately to the body tube using the kit panel as a visual guide for placement.



# FLYING YOUR STARHAWK ROCKET

## WHAT ELSE YOU WILL NEED:

To successfully fly your rocket you will need the following items:

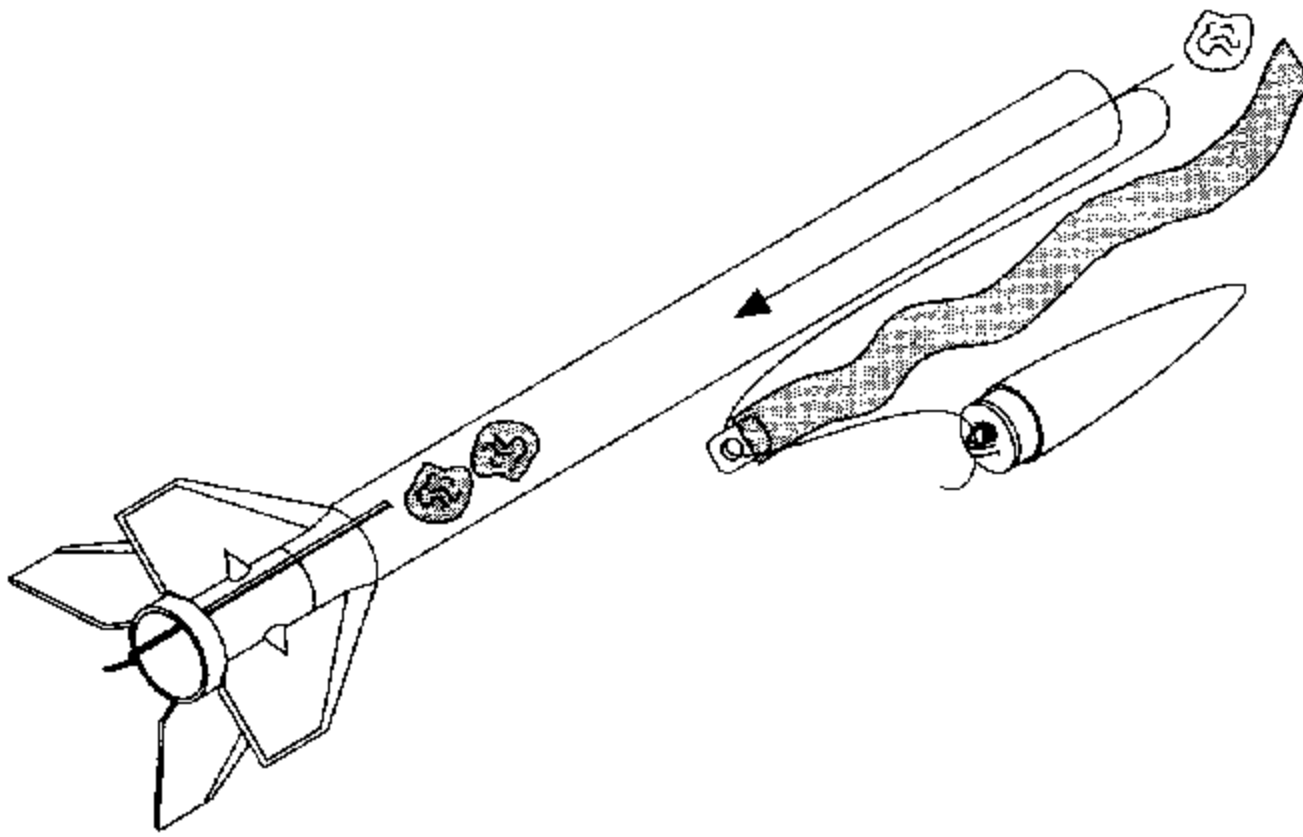
- QUEST Launch Pad (No. 7600)
- QUEST Launch Controller (No. 7500)
- QUEST Parachute Recovery Wadding (No. 7020)
- QUEST Rocket Motors, Type A6-4

Use only Type A6-4 motors for this rocket. Higher power motors may result in the plastic fin unit melting.

## PREPPING YOUR ROCKET FOR FLIGHT

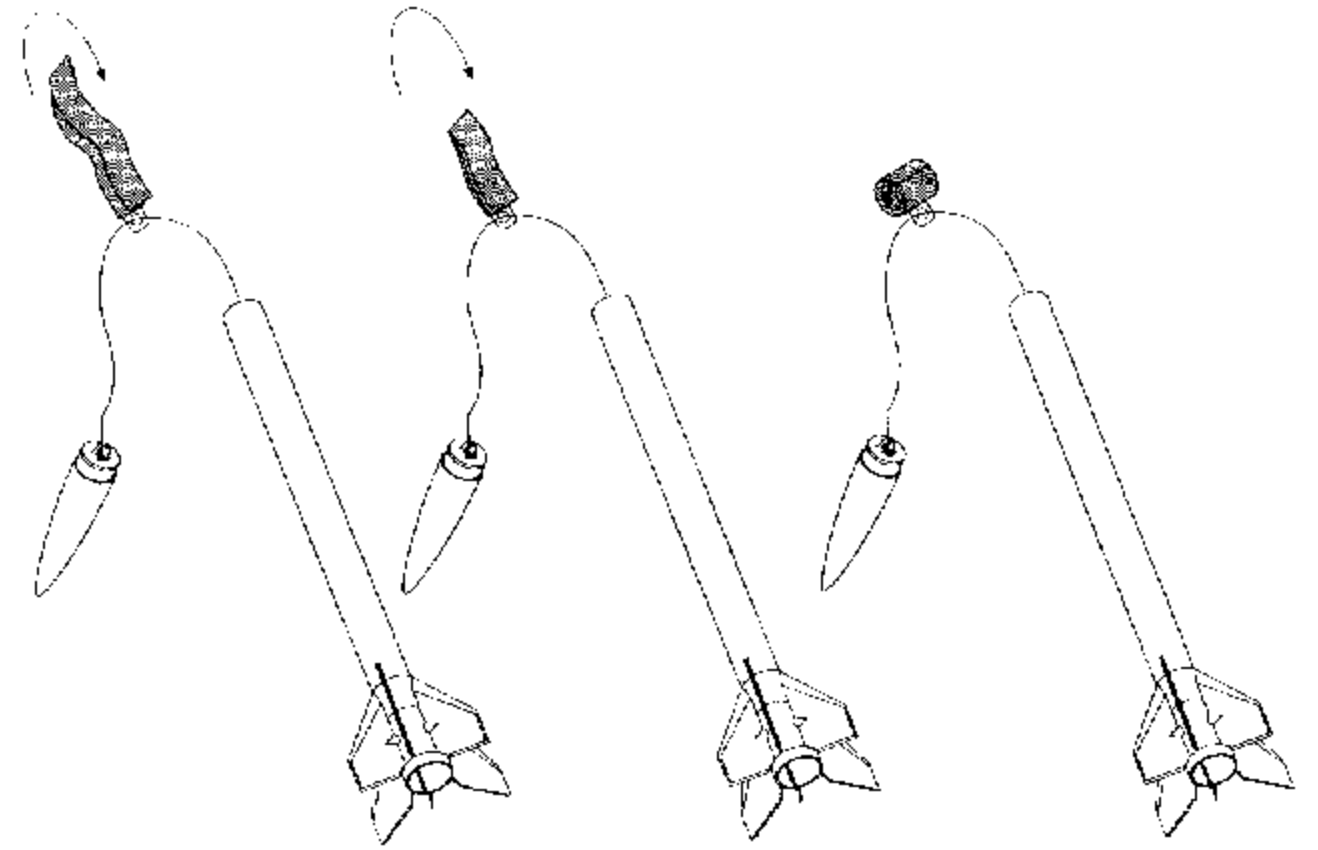
### STEP 1

Pull the shock cord all the way out of the body tube. Crumple at least three sheets of recovery wadding and insert one by one into the body tube making sure that the knot between the Kevlar and white elastic shock cord is on the nose cone side of the wadding. Wadding should fit loosely in the tube but tight enough to form a good seal against the wall of the body tube.



### STEP 2

**A.** Grab the plastic streamer at its center and fold it in half. Continue to fold the streamer in half until small enough to roll tightly.



### STEP 3

**A.** Pack the streamer into the body tube THE STREAMER MUST SLIDE EASILY INTO THE BODY TUBE. If it is a tight fit, remove and re-fold and roll the streamer tighter.

**B.** Push the shock cord into the body tube and re-fit the nose cone onto the rocket. BE CAREFUL NOT TO CATCH ANY OF THE SHOCK CORD BETWEEN THE SHOULDER OF THE NOSE CONE AND THE BODY TUBE.

**READ AND FOLLOW THE ENCLOSED LAUNCHING PROCEDURES SHEET**

**READ AND FOLLOW THE N.A.R. SAFETY CODE DURING ALL YOUR MODEL ROCKETRY ACTIVITIES.**



#### IRONCLAD GUARANTEE

If for any reason, you are not totally satisfied with our product, QUEST will provide whatever you think is fair, from refund to replacement.



**Manufactured by:**  
QUEST AEROSPACE  
EDUCATION, INC.  
P.O. BOX 42390  
PHOENIX, AZ 85080-2390