

QUEST™ QUICK KIT™

Ready to launch in
15 to 45 minutes.

LIGHTNING™

No. 1606

ASSEMBLY INSTRUCTIONS

TOOLS YOU'LL NEED TO ASSEMBLE THIS ROCKET

Tube Type Plastic Cement

Hobby Knife

Body Tube
11407

Motor Housing
20600/20601

Fin
20800 (4)

Display
Stand
24208/24209

Plastic Nose Cone
20304

Nose Cone Base
20305

White Shock Cord
50012

Yellow Shock Cord
50052

14" Parachute
28107

Gripper Tabs
00500

26" Shroud Lines
50100

Gray Motor
Mount Tube
10301

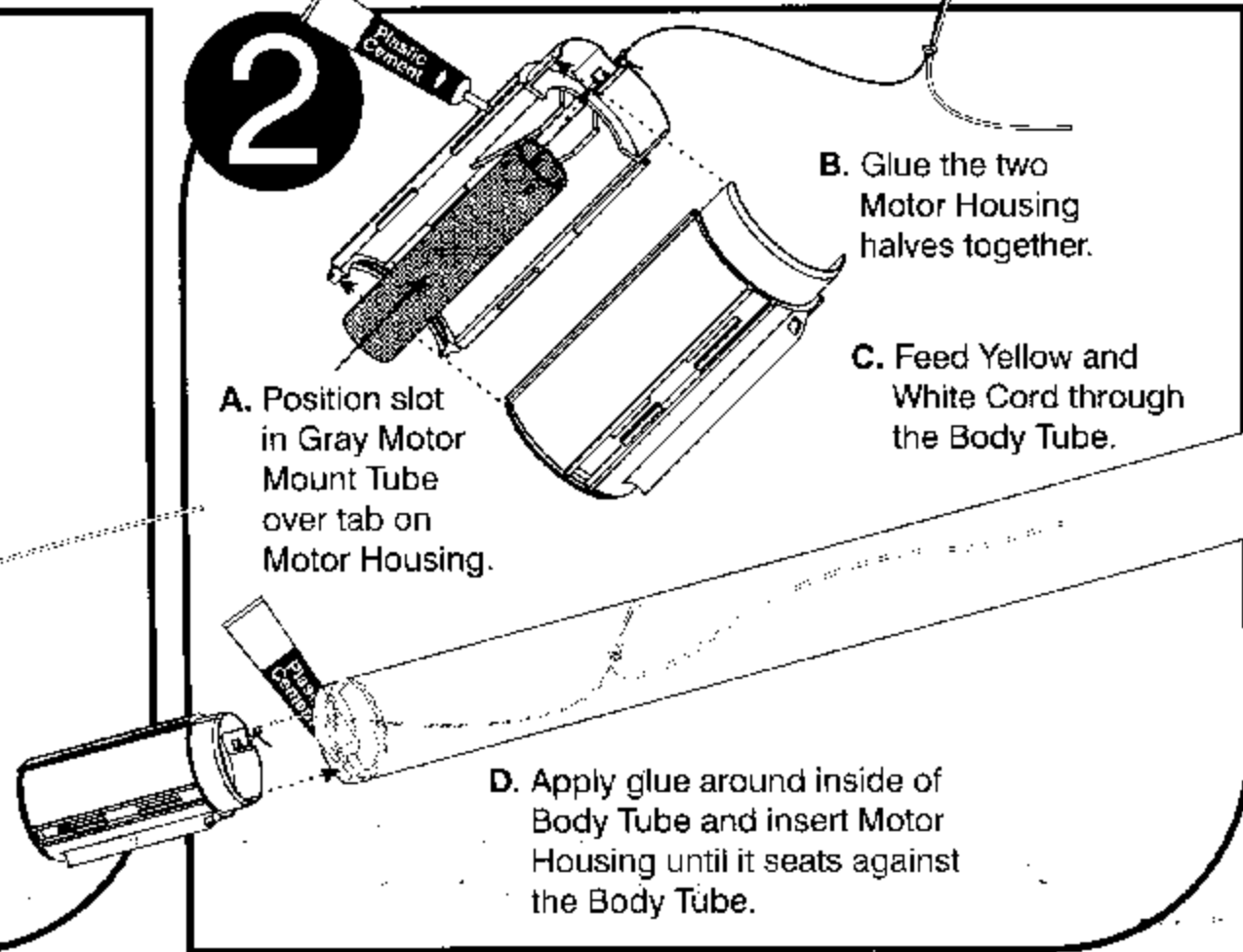
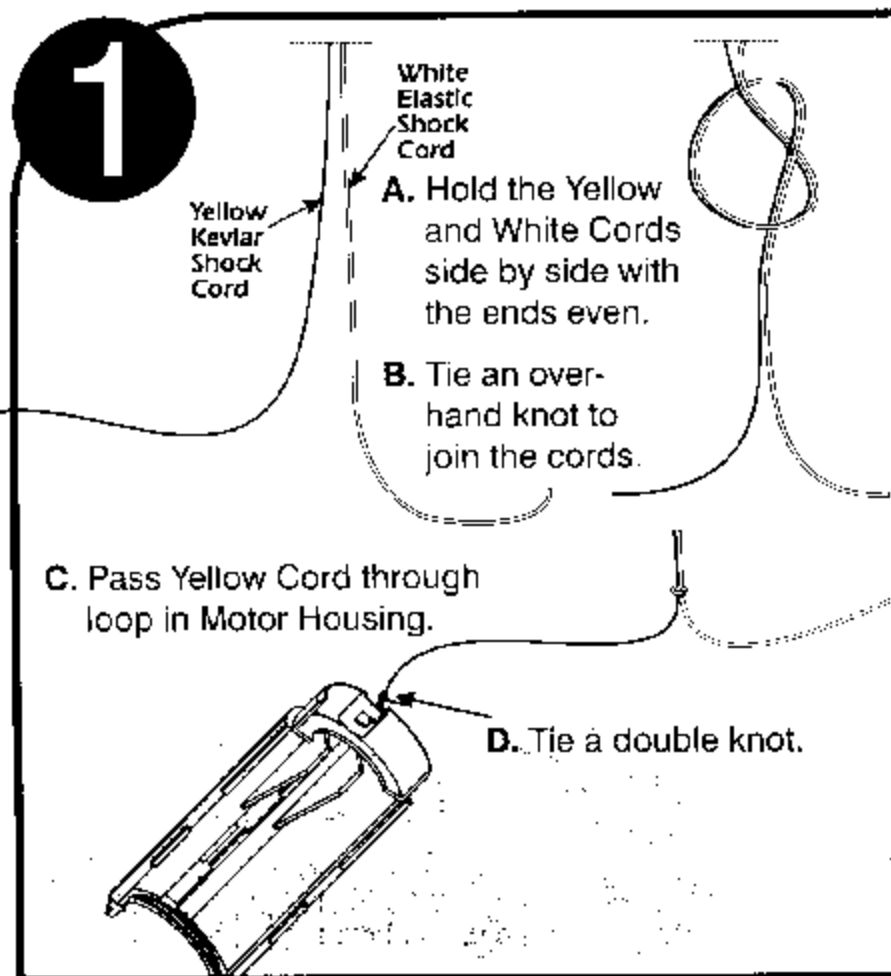
Fin
Locking
Ring
20023

Motor Lock Ring
20024

Fin

Decal Sheet
3-01606-1030

PARTS NOT TO SCALE



3

A. Test fit all four Fins into the slots.

B. Remove each one, add glue and replace.

C. Twist Fin Locking Ring onto rear of Motor Housing.

Check Fin alignment

4

A. Apply glue around inside of Nose Cone.

B. Push base into Nose Cone.

C. Tie White Cord to Nose Cone with a double knot.

5

A. Place one Gripper Tab on each of the six corners on Parachute.

B. Firmly squeeze each Gripper to the Parachute with your fingers.

C. Tie Shroud Line with a double knot.

D. Attach Parachute to eyelet in Nose Cone.

6

A. Grab Parachute at center - pull gently.

B. Fold.

C. Roll.

D. Insert rolled Parachute, then Shock Cord and slide Nose Cone into place.

PARACHUTE MUST SLIDE EASILY INTO THE TUBE.

7

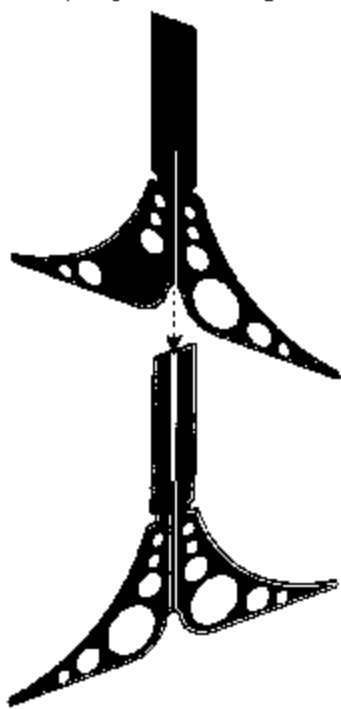
A. Remove the self-adhesive decals one at a time.

B. Position on rocket.

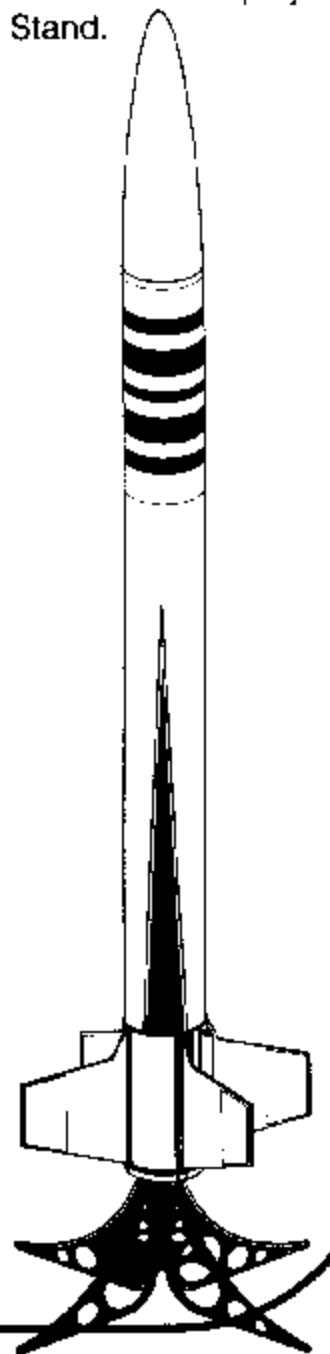
C. Rub gently.

Displaying Your Rocket

- A. Slide two halves of display stand together.



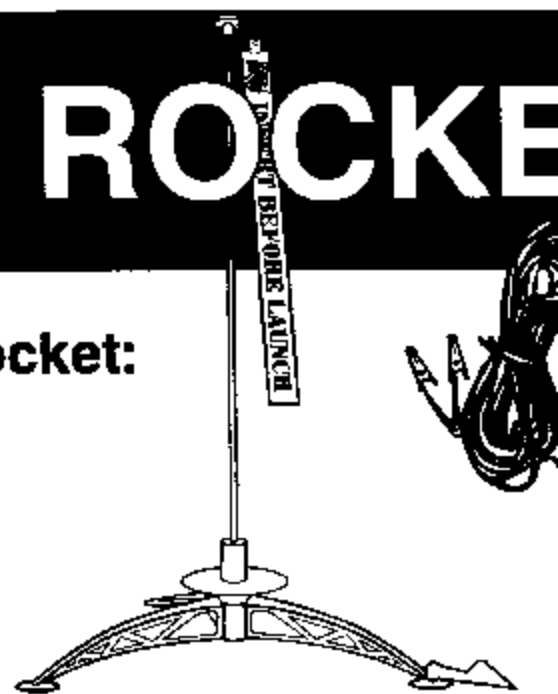
- B. Slide Rocket Motor Mount onto Display Stand.



FLYING YOUR ROCKET

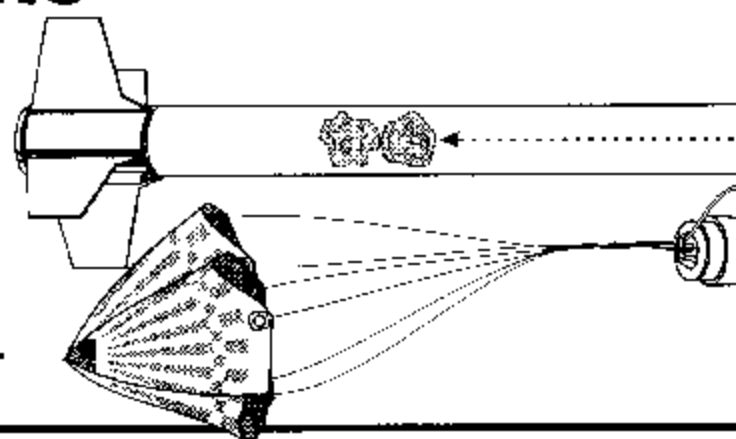
Supplies You Will Need to Launch Your Rocket:

- Quest Launch Pad (No. 7610)
 - Quest Launch Controller (No. 7510)
 - Quest Parachute Recovery wadding (No. 7020)
 - Quest Rocket Motors Type A6-4, B6-4, C6-5.
- Use A6-4 Motor for your first flights.



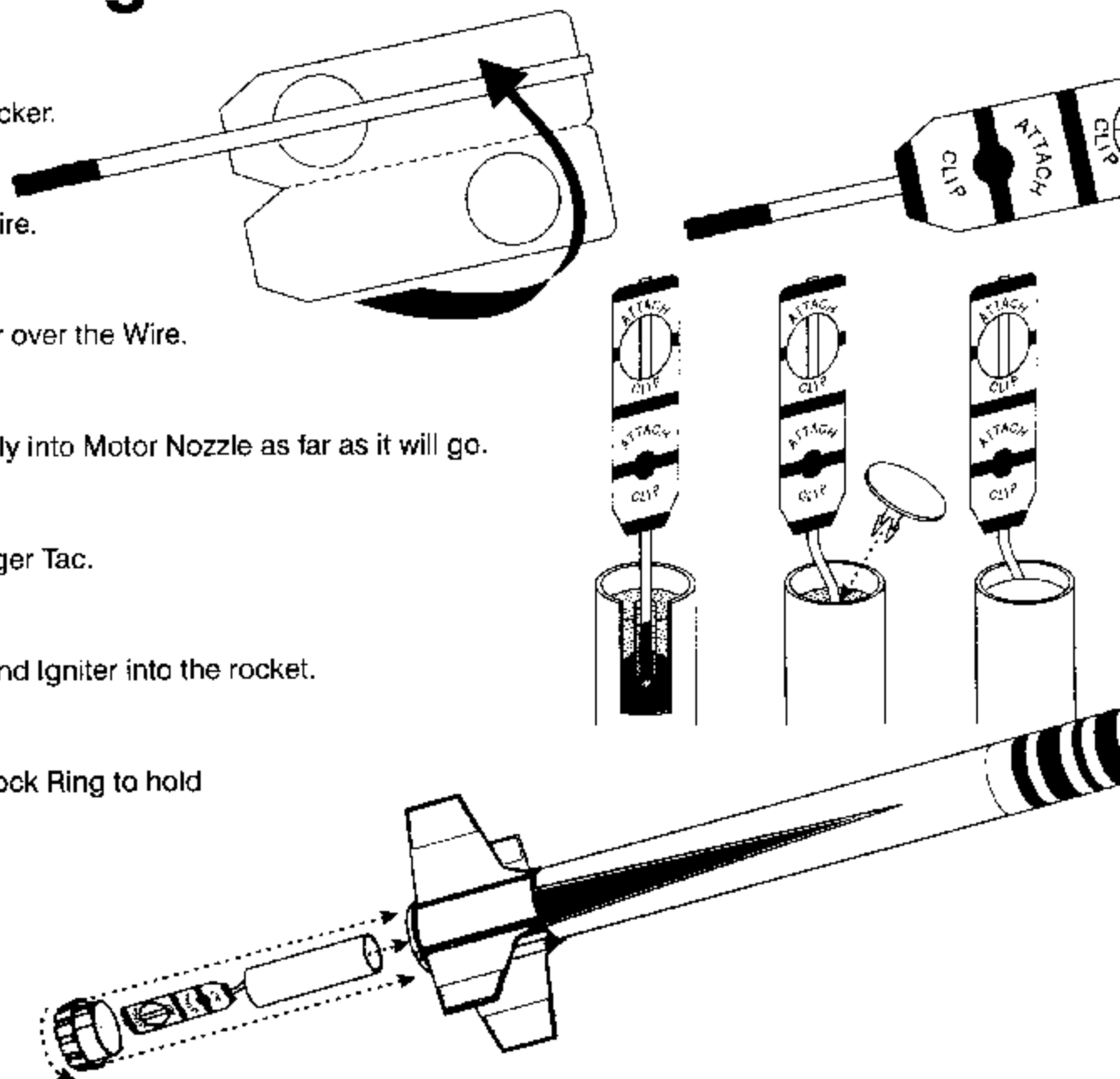
1 Pack Your Parachute

- A. Remove Nose Cone and Parachute.
- B. Crumple and insert THREE squares of Recovery Wadding.
- C. Re-pack Parachute, Shock Cord, and replace Nose Cone.
See Step 6 of Assembly Instructions for Parachute folding.



2 Install Igniter and Rocket Motor

- A. Remove Tiger Tail Sticker.
- B. Center the Ignition Wire.
- C. Fold Tiger Tail Sticker over the Wire.
- D. Place Igniter Assembly into Motor Nozzle as far as it will go.
- E. Push in the plastic Tiger Tac.
- F. Insert Rocket Motor and Igniter into the rocket.
- G. Twist plastic Motor Lock Ring to hold Motor in place.



© 2002 All rights reserved



Manufactured by:
QUEST AEROSPACE
A Division of
MARVEL ENTERPRISES, INC.
Yuma, AZ 85364

3

Launch Procedures

Launch Site Selection:

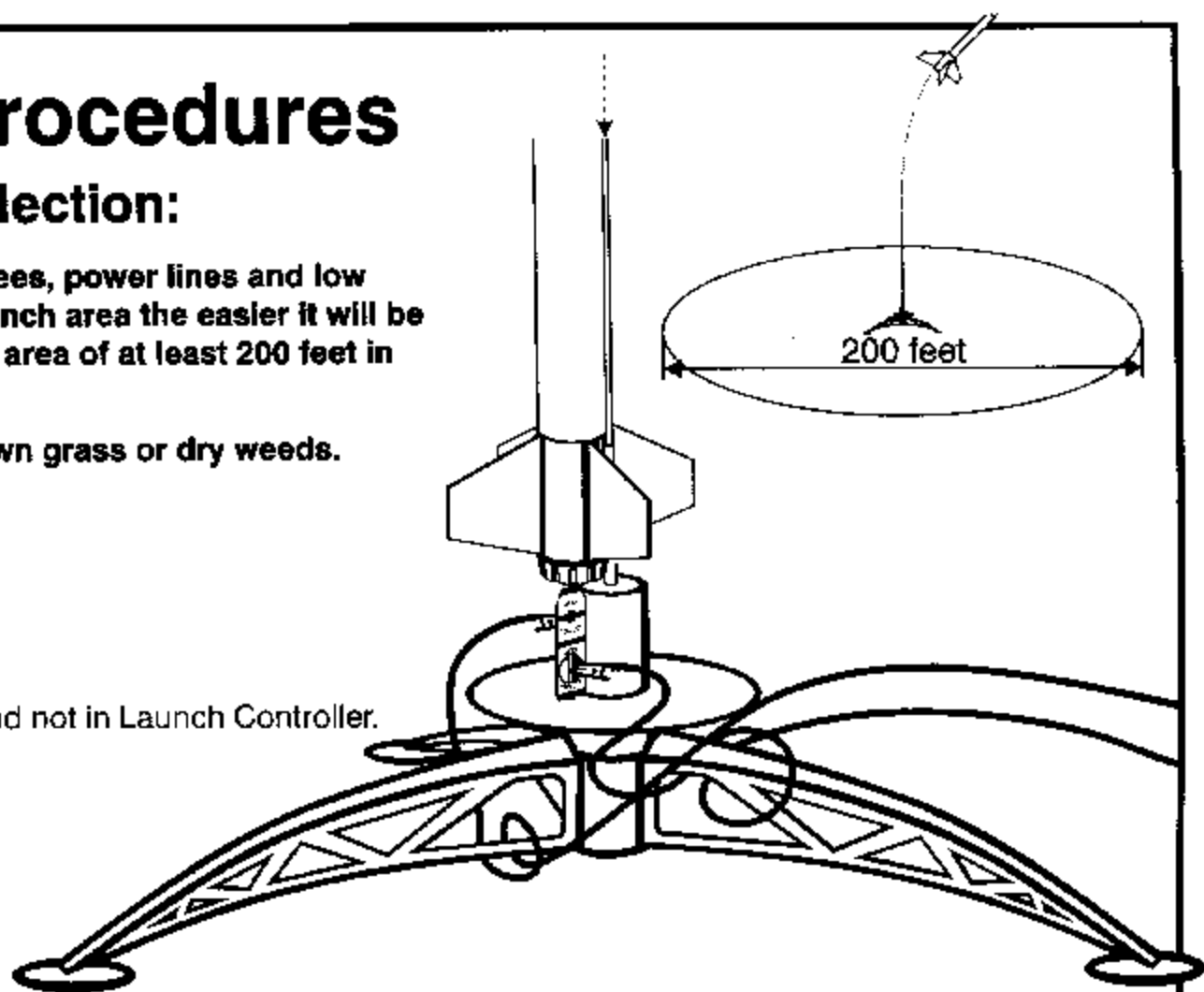
- Pick a large area away from tall trees, power lines and low flying aircraft. The larger your launch area the easier it will be to recover your rocket. A circular area of at least 200 feet in diameter is recommended.
- Launch area must be clear of brown grass or dry weeds.

A. Remove Rod Safety Cap.

B. Be certain Safety Key is with you and not in Launch Controller.

C. Slide rocket down Launch Rod.

D. Attach one micro clip to each hole where the igniter is exposed. Be sure that the clips do not touch each other.



Count Down Procedure:

A. Move yourself and all spectators away from Rocket and Launch Pad as far as the wire will allow (15 feet).

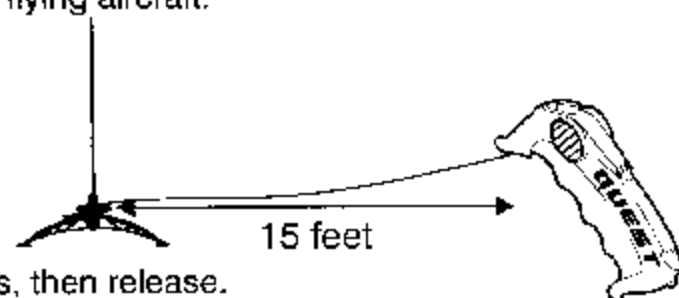
B. Wind conditions should be gentle. Make sure the sky is clear of low flying aircraft.

C. Insert Safety Key to arm Launch Controller.

D. In a LOUD voice, begin count down: 5...4...3...2...1...LIFT OFF!
Press and hold the Launch button until the Rocket Motor starts, then release.

E. Remove the Safety Key from Launch Controller as soon as rocket lifts off.

F. Replace the Launch Rod Safety Cap between launchings.



Misfire Procedure:

If the rocket motor fails to ignite:

A. Remove the Safety Key.

B. Wait ONE MINUTE before approaching the Rocket. Carefully remove rocket.

C. Remove rocket motor and old igniter. Install a new Tiger Tail Igniter in the Motor and reinstall.

D. Use a small emery board or sandpaper to clean the inside surfaces of the micro clips.

E. Repeat the Launch Procedure and Count Down.

Always follow the National Association of Rocketry, (NAR) Model Rocket Safety Code while using your model rocket. It is printed on the back of the package panel.

Customer Service:
800 858-7302