

No. 1615

ASSEMBLY INSTRUCTIONS

TOOLS YOU'LL NEED TO ASSEMBLE THIS ROCKET

Tube Type Plastic Cement

Hobby Knife

Body Tube
11213

Plastic Nose Cone
20075

Nose Cone Base
20076

White Shock Cord
50011

Yellow Shock Cord
50051

Streamer provided instead of parachute for
better performance with T-20 body tube.

36" Streamer
2815

Gripper Tab
28009

Decal Sheet
3-01615-1030

Reducer
21069

Fin
20852 (4)

Motor
Housing
20504/20505

Body
Tube
11315

Display
Stand
24208/24209

Gray Motor
Mount Tube
10301

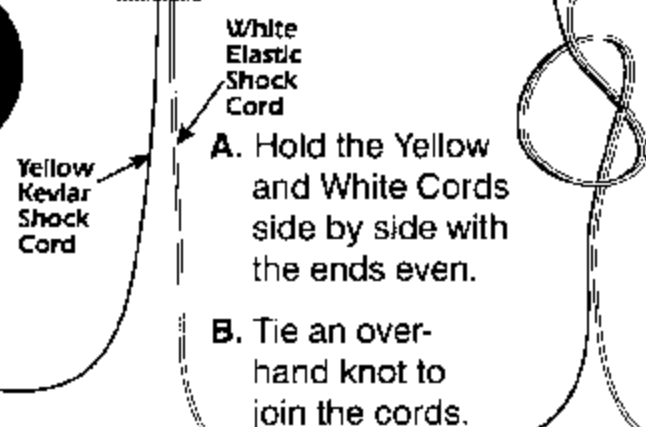
Fin Locking
Ring
20023

Motor Lock Ring
20024

Fin

PARTS NOT TO SCALE

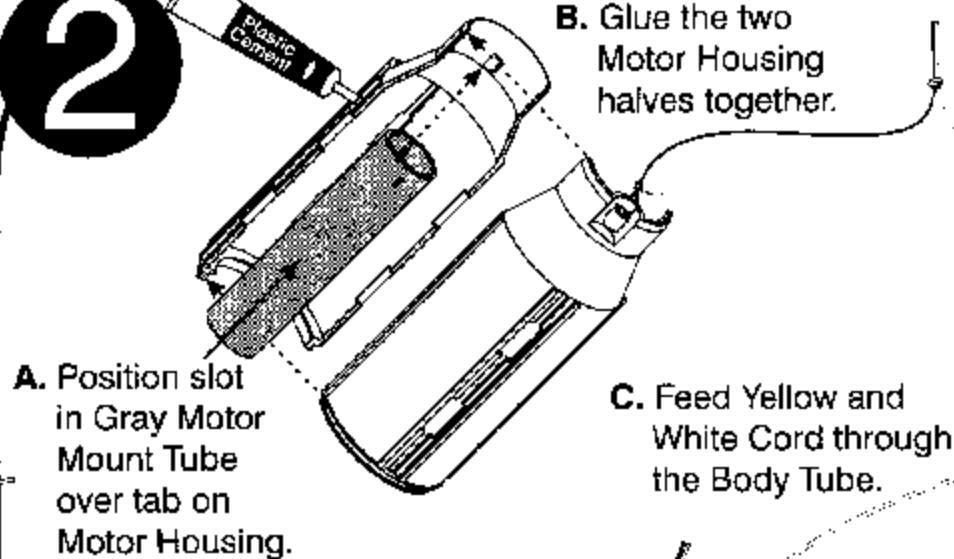
1



C. Pass Yellow Cord through loop in Motor Housing.

D. Tie a double knot.

2



D. Apply glue around inside of Body Tube and insert Motor Housing until it seats against the Body Tube.

3

A. Test fit all four Fins into the slots.

B. Remove each one, add glue and replace.

Check Fin alignment

C. Twist Fin Locking Ring onto rear of Motor Housing.

4

A. Apply glue around inside of Nose Cone.

B. Push base into Nose Cone.

C. Apply glue around inside of Body Tubes.

D. Push Transition into Body Tubes.

5

A. Place Gripper Tab on end of Streamer

B. Firmly squeeze Gripper to the Streamer with your fingers.

C. Slide Gripper/Streamer onto White Shock Cord

D. Tie White Cord to Nose Cone with a double knot.

6

A. Pull Streamer straight

B. Fold in half three times.

D. Insert rolled Streamer, then Shock Cord and slide Nose Cone into place.

STREAMER MUST SLIDE EASILY INTO THE TUBE.

C. Roll.

7

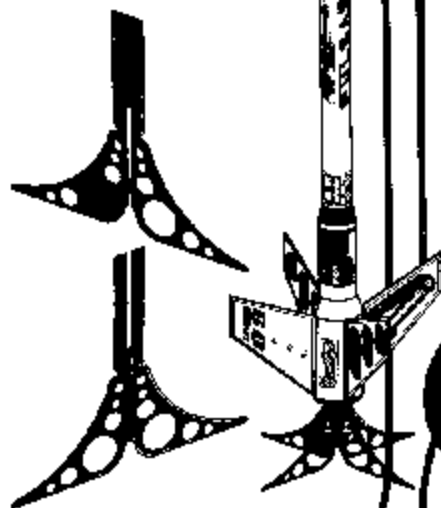
A. Remove the self-adhesive decal.

B. Position on rocket.

C. Rub gently.

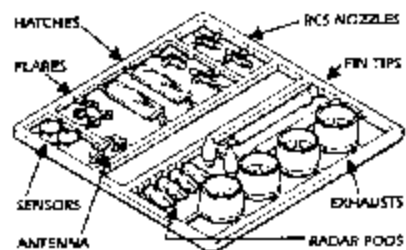
Displaying Your Rocket

- A. Slide two halves of display stand together.

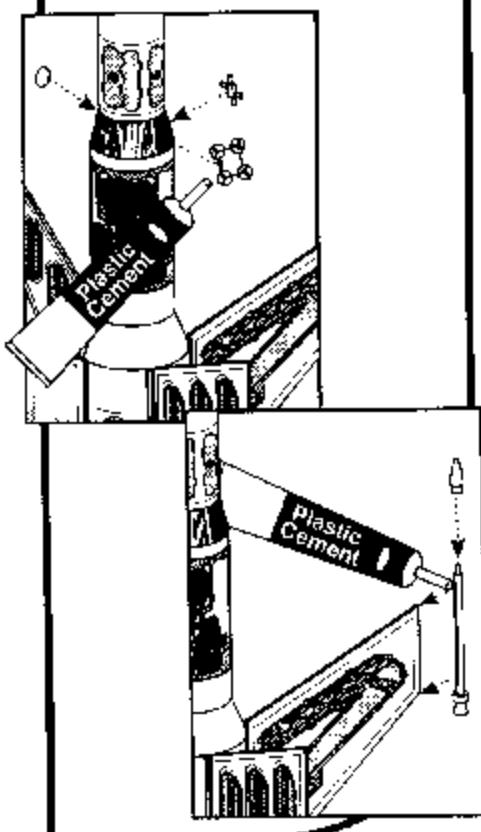


- B. Slide Rocket Motor Mount onto Display Stand.

Customizing Your Rocket



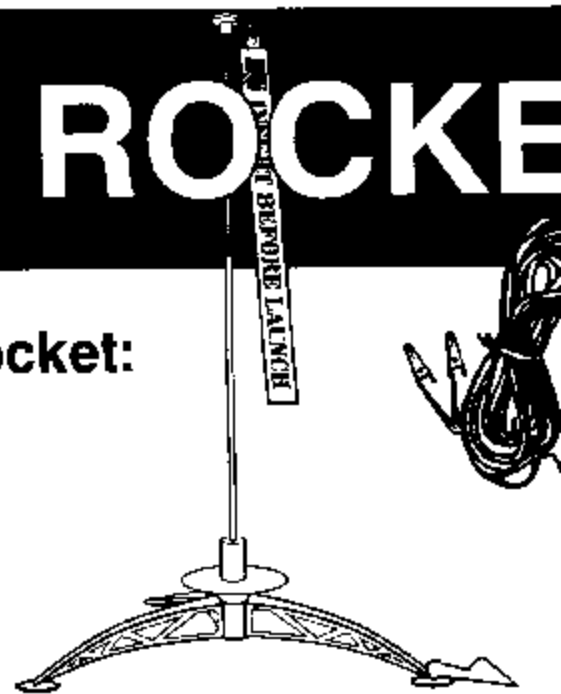
- A. Use the kit package as your guide.
- B. Use a hobby knife to remove parts.
- C. Glue each in place.



FLYING YOUR ROCKET

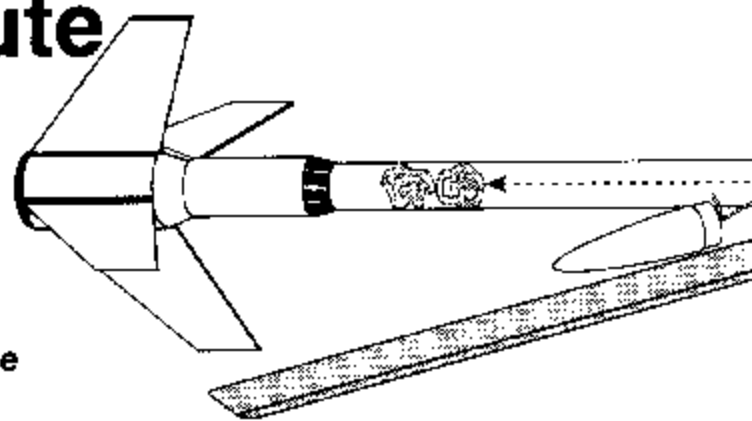
Supplies You Will Need to Launch Your Rocket:

- Quest Launch Pad (No. 7610)
 Quest Launch Controller (No. 7510)
 Quest Parachute Recovery wadding (No. 7020)
 Quest Rocket Motors Type A6-4, B6-4, C6-3, C6-5.
 Use A6-4 Motor for your first flights.



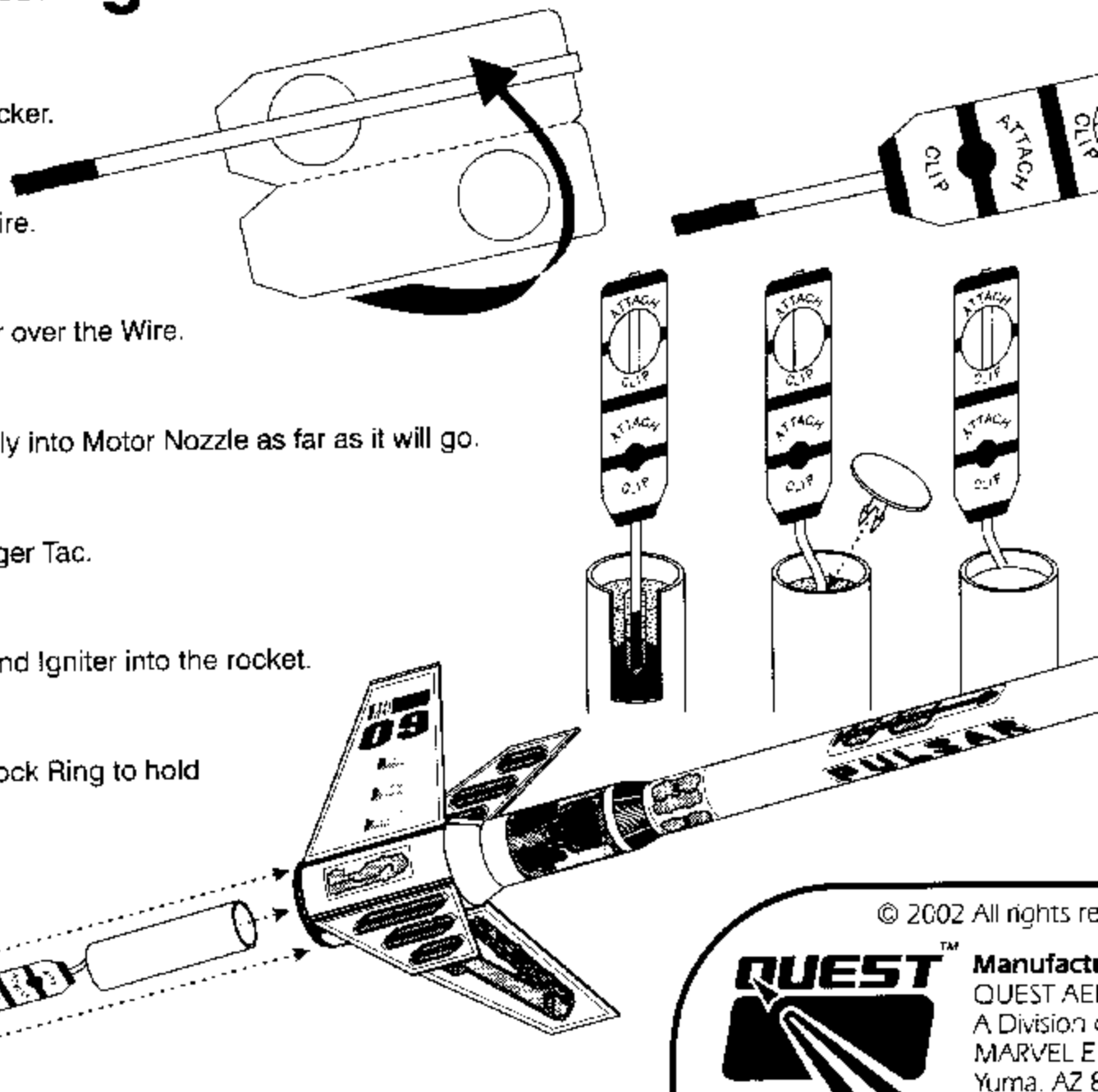
1 Pack Your Parachute

- A. Remove Nose Cone and Parachute.
- B. Crumple and insert THREE squares of Recovery Wadding.
- C. Re-pack Streamer, Shock Cord, and replace Nose Cone. See Step 6 of Assembly Instructions for Streamer folding.



2 Install Igniter and Rocket Motor

- A. Remove Tiger Tail Sticker.
- B. Center the Ignition Wire.
- C. Fold Tiger Tail Sticker over the Wire.
- D. Place Igniter Assembly into Motor Nozzle as far as it will go.
- E. Push in the plastic Tiger Tac.
- F. Insert Rocket Motor and Igniter into the rocket.
- G. Twist plastic Motor Lock Ring to hold Motor in place.



© 2002 All rights reserved.

QUEST™
 Manufactured by
 QUEST AEROSPACE
 A Division of
 MARVEL ENTERTAINMENT
 Yuma, AZ 85095

ET

3

Launch Procedures

Launch Site Selection:

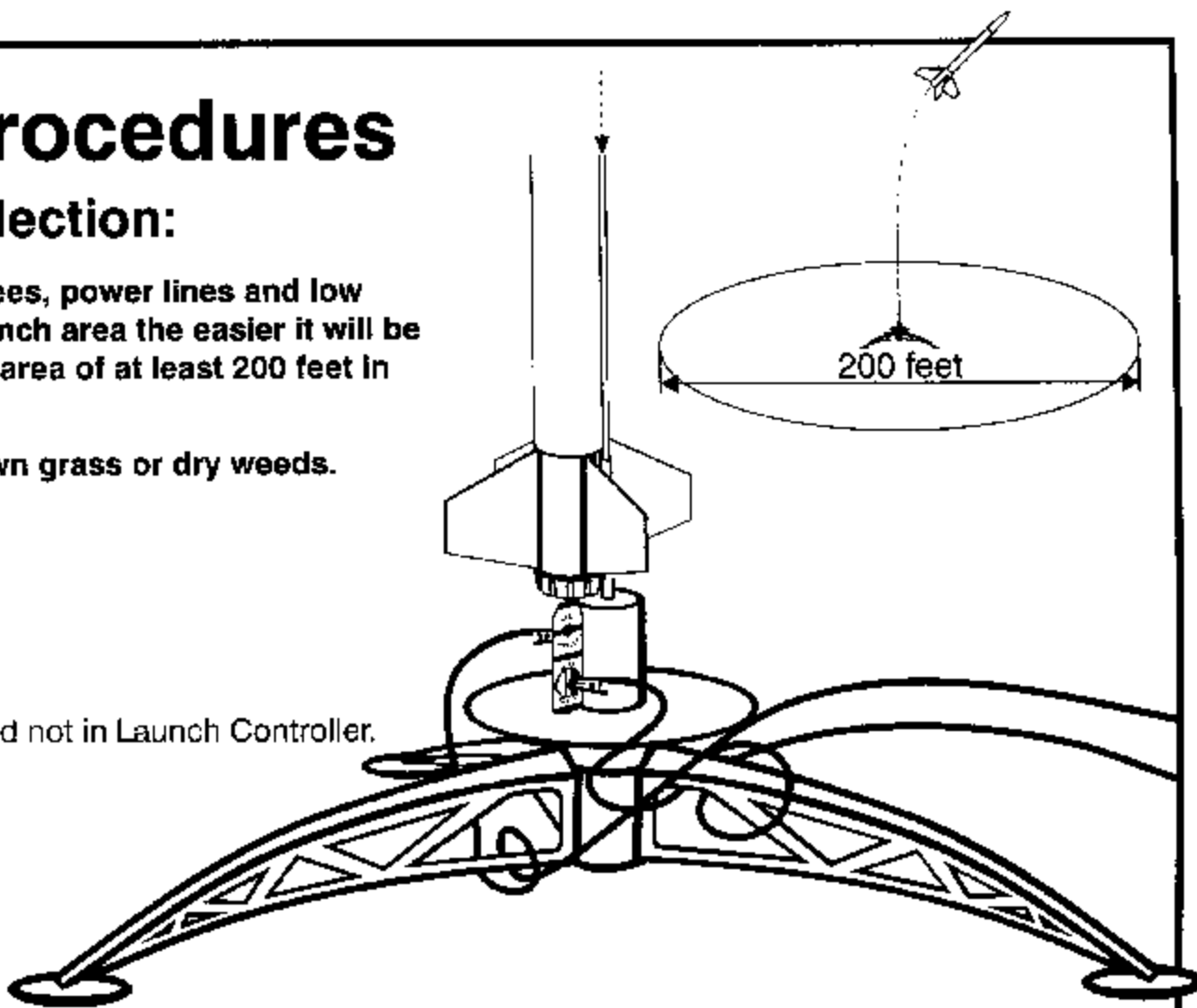
- Pick a large area away from tall trees, power lines and low flying aircraft. The larger your launch area the easier it will be to recover your rocket. A circular area of at least 200 feet in diameter is recommended.
- Launch area must be clear of brown grass or dry weeds.

A. Remove Rod Safety Cap.

B. Be certain Safety Key is with you and not in Launch Controller.

C. Slide rocket down Launch Rod.

D. Attach one micro clip to each hole where the igniter is exposed. Be sure that the clips do not touch each other.



Count Down Procedure:

A. Move yourself and all spectators away from Rocket and Launch Pad as far as the wire will allow (15 feet).

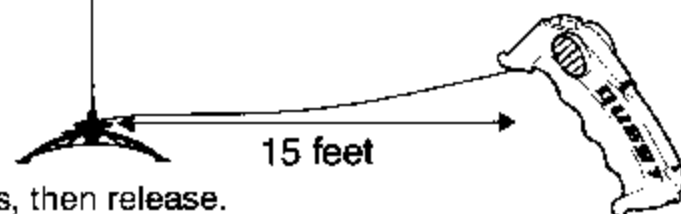
B. Wind conditions should be gentle. Make sure the sky is clear of low flying aircraft.

C. Insert Safety Key to arm Launch Controller.

D. In a LOUD voice, begin count down: 5...4...3...2...1...LIFT OFF!
Press and hold the Launch button until the Rocket Motor starts, then release.

E. Remove the Safety Key from Launch Controller as soon as rocket lifts off.

F. Replace the Launch Rod Safety Cap between launchings.



Misfire Procedure:

If the rocket motor fails to ignite:

A. Remove the Safety Key.

B. Wait ONE MINUTE before approaching the Rocket. Carefully remove rocket.

C. Remove rocket motor and old igniter. Install a new Tiger Tail Igniter in the Motor and reinstall.

D. Use a small emery board or sandpaper to clean the inside surfaces of the micro clips.

E. Repeat the Launch Procedure and Count Down.

is reserved

Manufactured by:
AEROSPACE
Division of
ENTERPRISES, INC.
AZ 85364

Always follow the National Association of Rocketry,
(NAR) Model Rocket Safety Code while using your model
rocket. It is printed on the back of the package panel.

Customer Service:
800 858-7302