

QUEST™ QUICK KIT™

Ready to launch in
15 to 45 minutes.

SUPER EAGLE™

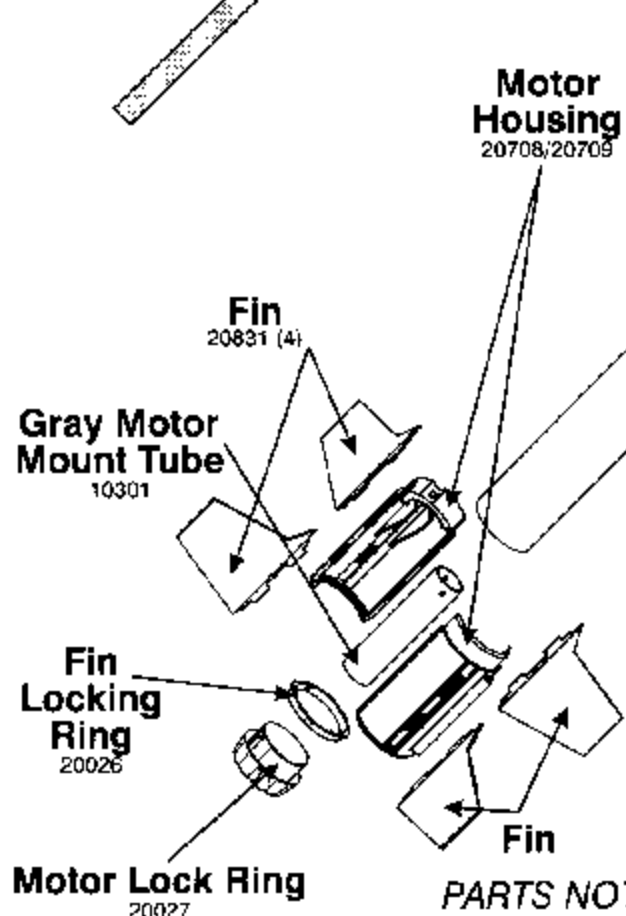
No. 1619

ASSEMBLY INSTRUCTIONS

TOOLS YOU'LL NEED TO ASSEMBLE THIS ROCKET

Tube Type Plastic Cement

Hobby Knife



Body Tube
11517

Coupler
21086

Body Tube
11517

Coupler
21086

Coupler Base
20217

Nose Cone
20207

Payload Tube
11516

White Shock Cord
50012

Yellow Shock Cord
50053

26" Shroud Lines
50100 (2)

Gripper Tabs
00500 (2)

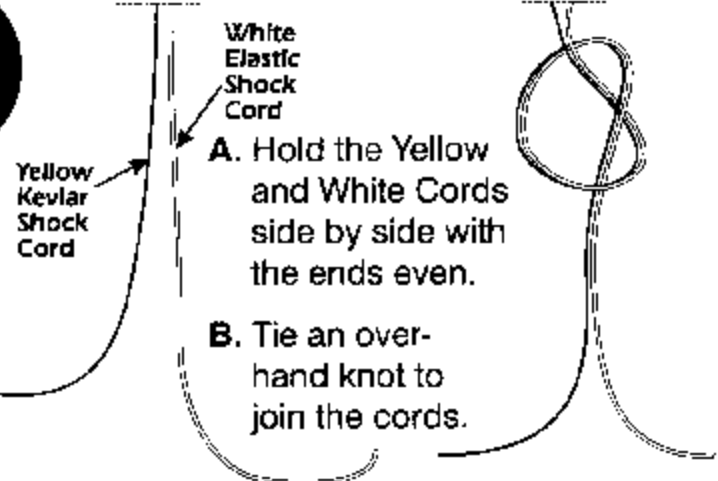
Display Stand
24208/24209

Decal Sheet
3-01619-1030

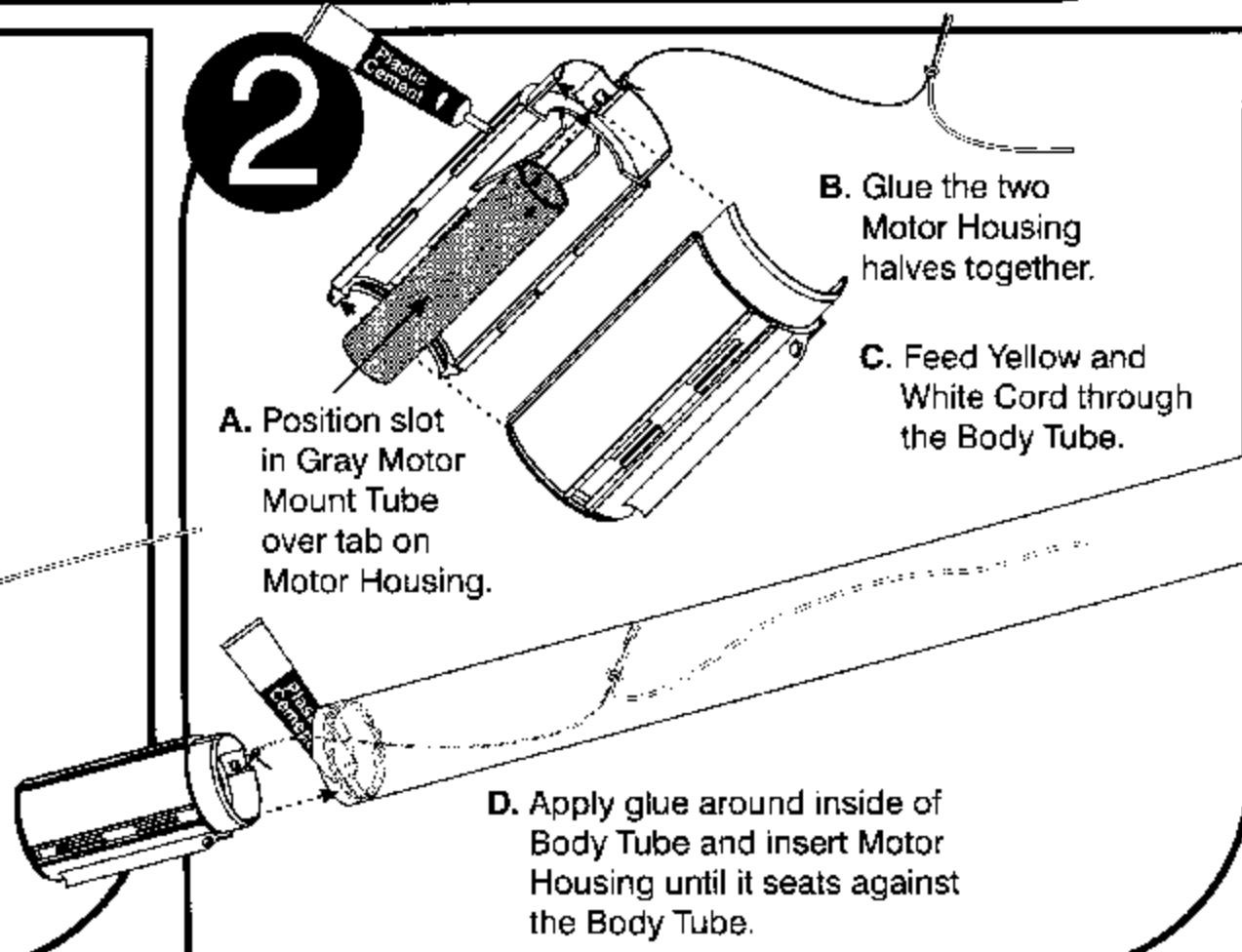
14" Parachute
28107 (2)

PARTS NOT TO SCALE

1



2



3

A. Test fit all four Fins into the slots.

B. Remove each one, add glue and replace.

C. Twist Fin Locking Ring onto rear of Motor Housing.

D. Tie a figure "8" knot in the loose end of the White Shock Cord with a 1 inch loop as shown.

Check Fin alignment

4

A. Apply glue around inside edge of Coupler.

B. Push Coupler Base into Coupler.

C. Apply glue around inside edge of short Payload Tube. Push Coupler into Tube.

D. Position Nose Cone in end of Tube. DO NOT GLUE!

E. Apply glue to inside of Body Tube and push Coupler into Tube.

F. Apply glue to inside of Payload Tube and push Coupler into Tube.

Align launch lug between fins with lug in coupler

5

A. Place one Gripper Tab on each of the six corners on Parachute.

B. Firmly squeeze each Gripper to the Parachute with your fingers.

C. Tie Shroud Line with a double knot.

D. Attach ONE Parachute to eyelet in Coupler Base.

E. Attach ONE Parachute to loop in White Shock Cord.

Repeat A-C for second Parachute

6

A. Grab Parachute at center - pull gently.

B. Fold.

C. Roll.

D. Insert rolled Parachutes, then Shock Cord and slide Payload section in place.

PARACHUTES MUST SLIDE EASILY INTO THE TUBE.

7

A. Remove the self-adhesive decals one at a time.

B. Position on rocket.

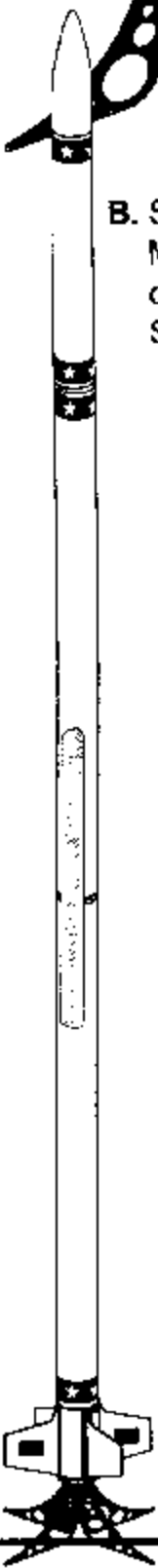
C. Rub gently.

Displaying Your Rocket

- A. Slide two halves of display stand together.



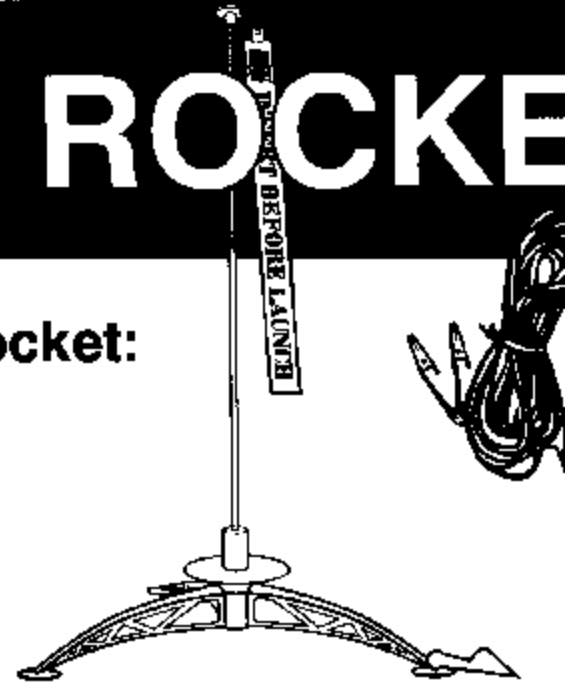
- B. Slide Rocket Motor Mount onto Display Stand.



FLYING YOUR ROCKET

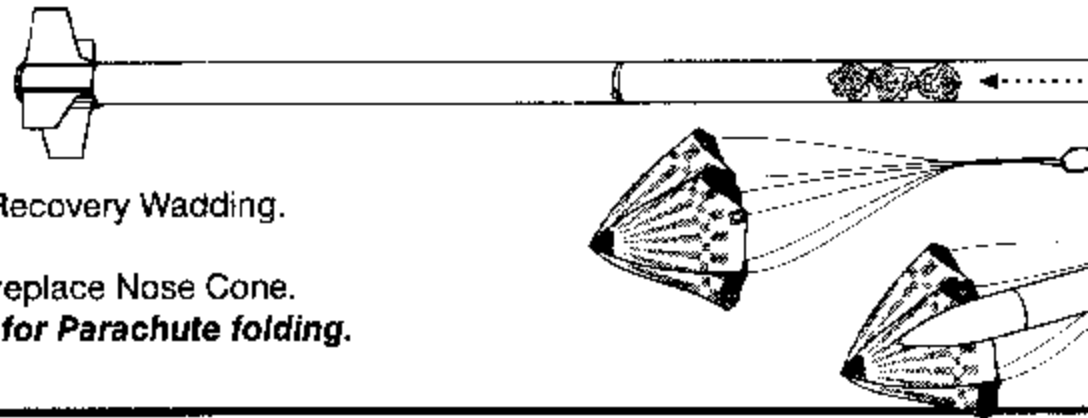
Supplies You Will Need to Launch Your Rocket:

- Quest Launch Pad (No. 7610)
 - Quest Launch Controller (No. 7510)
 - Quest Parachute Recovery wadding (No. 7020)
 - Quest Rocket Motors Type C6-3, C6-5.
- Use C6-3 Motor for your first flights.



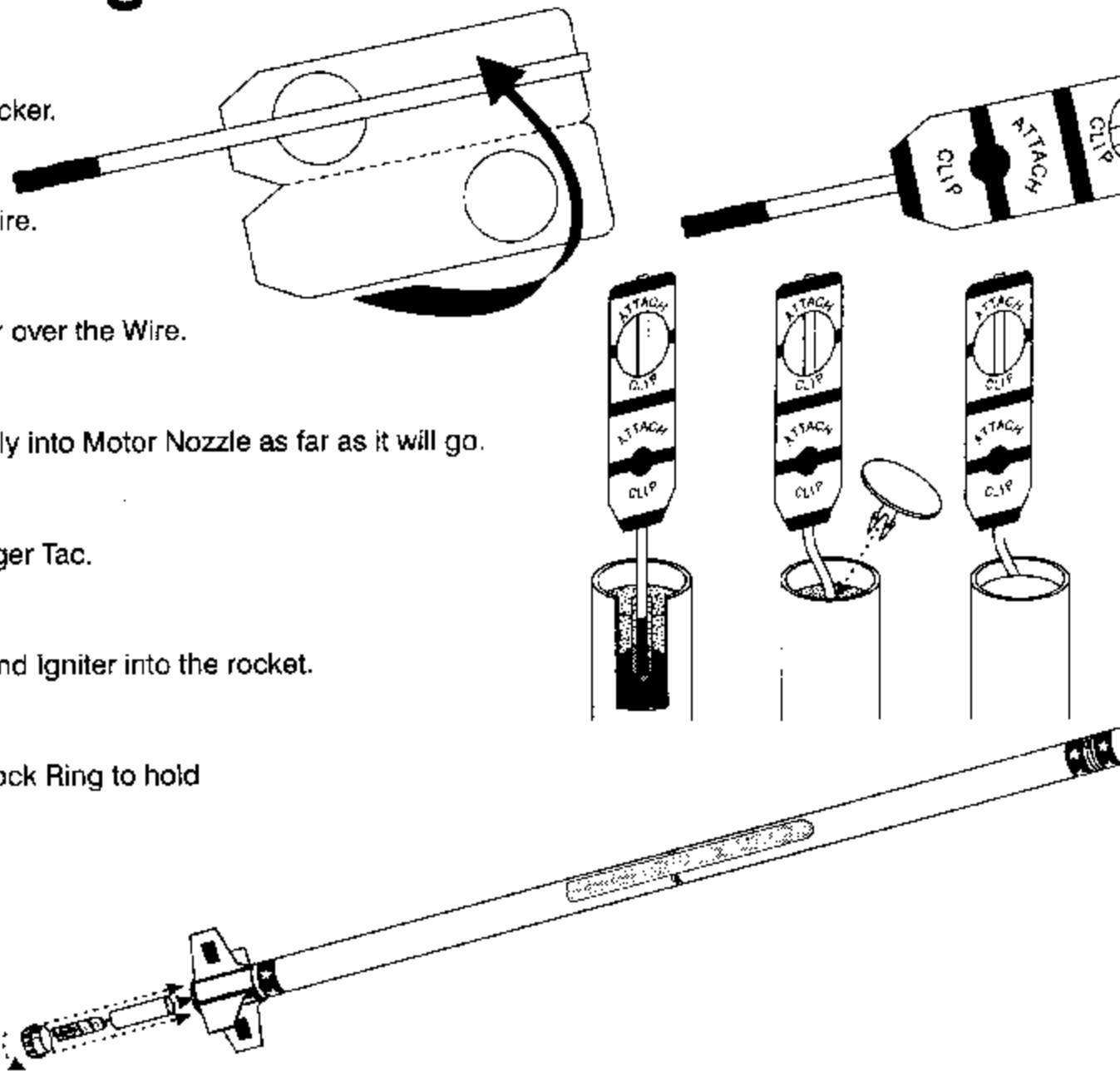
1 Pack Your Parachute

- A. Remove Nose Cone and Parachute.
- B. Crumple and insert FOUR squares of Recovery Wadding.
- C. Re-pack Parachute, Shock Cord, and replace Nose Cone.
See Step 6 of Assembly Instructions for Parachute folding.



2 Install Igniter and Rocket Motor

- A. Remove Tiger Tail Sticker.
- B. Center the Ignition Wire.
- C. Fold Tiger Tail Sticker over the Wire.
- D. Place Igniter Assembly into Motor Nozzle as far as it will go.
- E. Push in the plastic Tiger Tac.
- F. Insert Rocket Motor and Igniter into the rocket.
- G. Twist plastic Motor Lock Ring to hold Motor in place.



© 2002 All rights reserved



Manufactured by:
QUEST AEROSPACE
A Division of
MARVEL ENTERPRISES, INC.
Yuma, AZ 85364