

# Gamma-Ray™

## ASSEMBLY INSTRUCTIONS

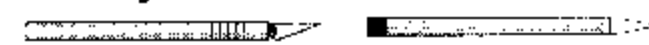


Product No. 2004  
Skill Level Two



### Things You'll Need To Assemble this Kit:

Hobby Knife and Pencil



Sandpaper (220 or 320 Grit)



White Glue

Aliphatic Resin glues work best such as TITEBOND or ELMER'S CARPENTER'S WOOD GLUE - ELMER'S WHITE SCHOOL GLUE also works but dries slower.



Plastic Cement

Use TESTORS TUBE Plastic Cement, PACTRA LIQUID CEMENT or other comparable brands. DO NOT use cyanoacrylate glue.



Tape

Scotch Magic Tape or Paper Masking Tape

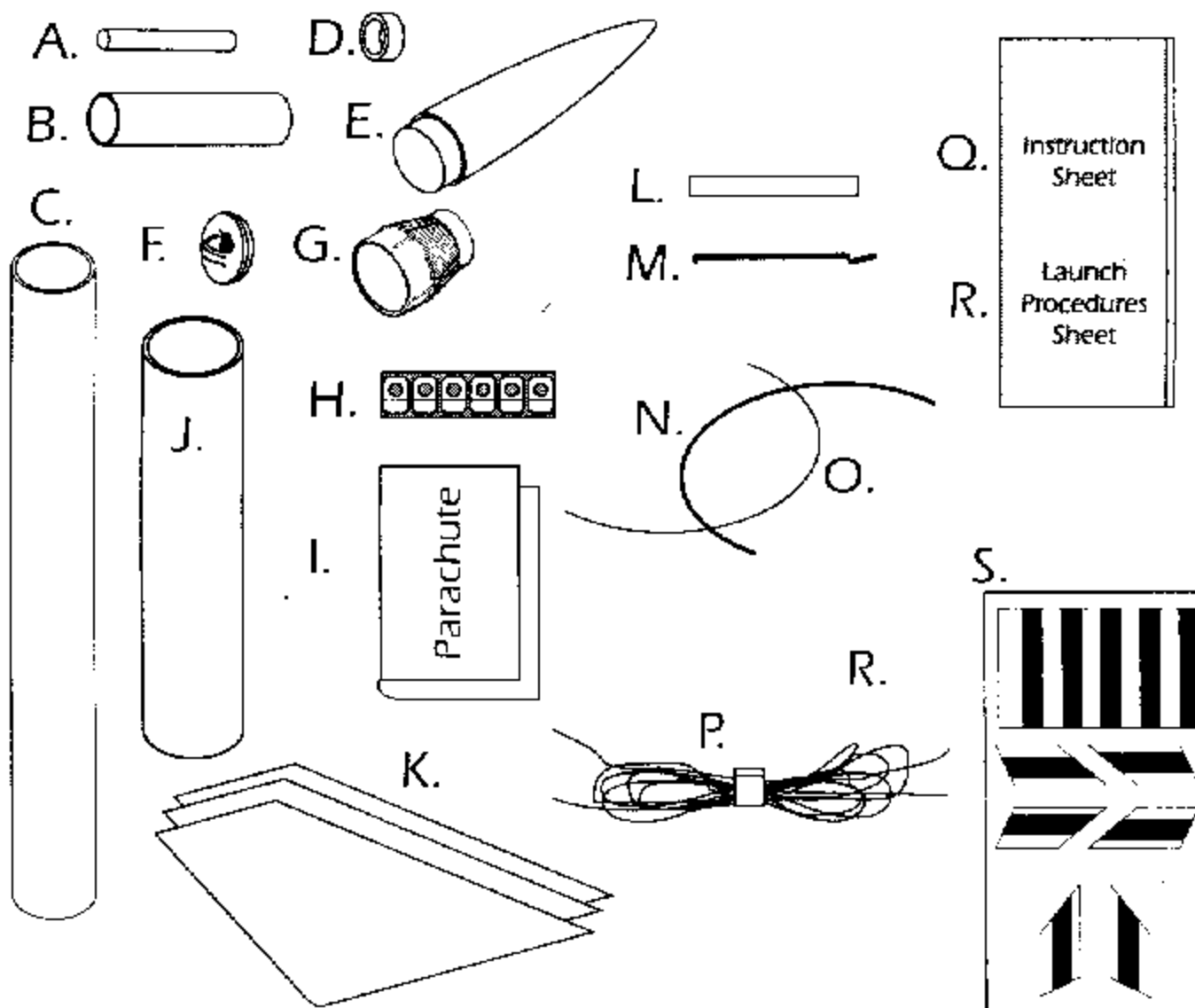


**BEFORE STARTING ASSEMBLY READ THROUGH THESE INSTRUCTIONS. IT IS BEST TO TEST FIT ALL PARTS BEFORE APPLYING ANY GLUE. READ AND FOLLOW THE NAR MODEL ROCKET SAFETY CODE.**

### PARTS LIST

- A. 10001 2" Launch Lug
- B. 10303 Yellow Motor Mount Tube
- C. 11201 8.5" White Body Tube
- D. 14000 Blue Motor Thrust Ring
- E. 20102 Plastic Nose Cone
- F. 20103 Transition Base
- G. 21054 Small Plastic Transition
- H. 28001 Gripper Tabs
- I. 28107 12" Plastic Parachute
- J. 28200 4" Red Payload Tube
- K. 33000 Die-Cut Balsa Wood Fins
- L. 33011 Launch Lug Stand-Off
- M. 49000 Motor Mount Clip
- N. 50011 18" White Elastic Shock Cord
- O. 50050 12" Yellow Kevlar Shock Cord
- P. 50100 3/26" Shroud Lines
- Q. 90063 Gamma-Ray Instruction Sheet
- R. 90163 Gamma-Ray Flight/L.P. Sheet
- S. 91013 Gamma-Ray Decal Sheet

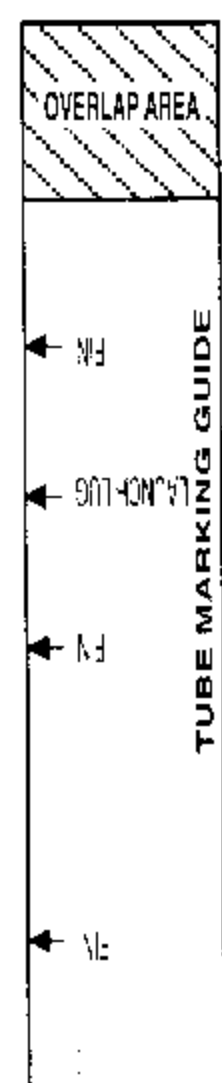
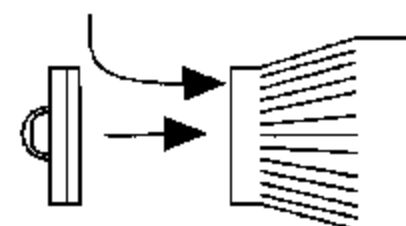
\* Kevlar is a registered trademark of Dupont



### STEP 1

**A.** Apply plastic model cement (not white glue) around the inside edge of the small end of the plastic payload transition. Push the base into the transition. Set aside to dry.

### Plastic Model Cement

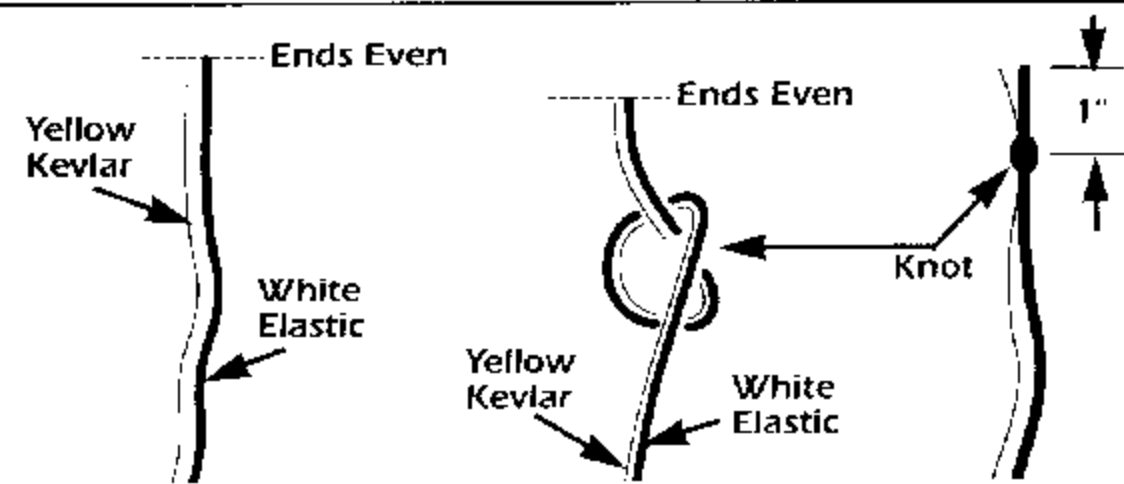


## STEP 2

**A.** Hold the Yellow Kevlar Shock Cord and the White Elastic Shock Cord side by side. Pull one end of each cord so that they are even with each other. While holding the two cords together, tie a single parallel overhand knot approximately one inch in from the even ends as shown.

**B.** Gently pull on both cords to set the knot and prevent it from slipping.

**C.** Apply a small amount of white glue on the ends of both cords to prevent them from fraying.

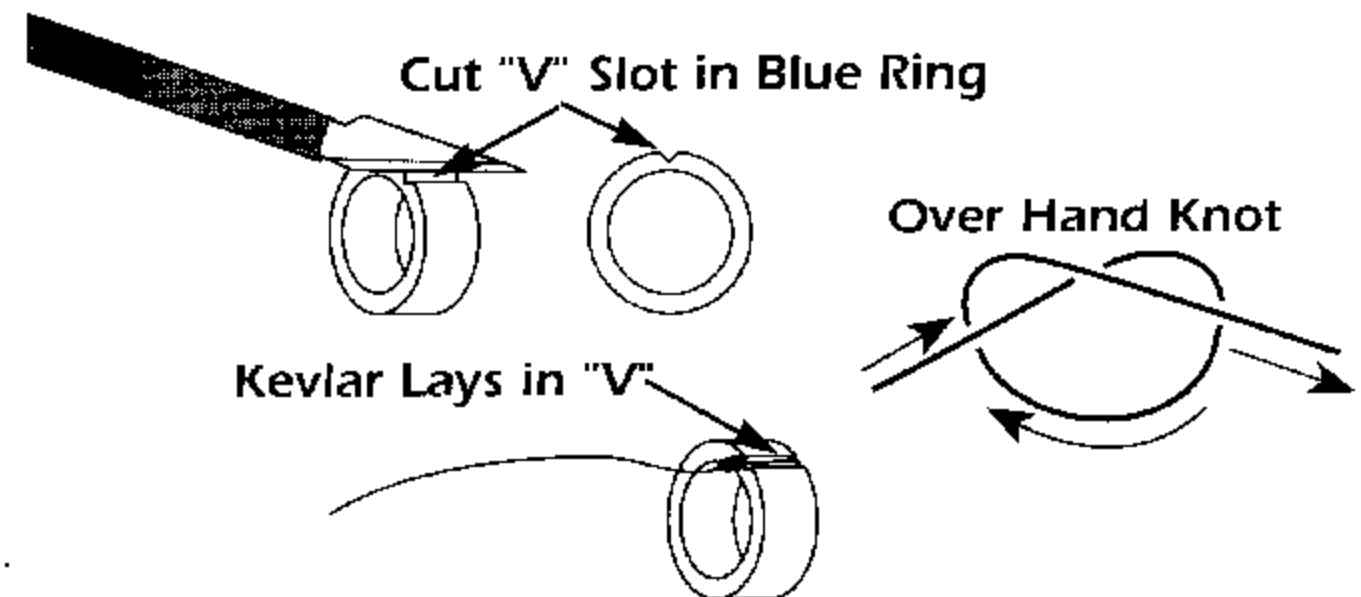


**NOTE:** THIS IS A VERY IMPORTANT STEP. IF YOU TIE A DIFFERENT TYPE OF KNOT THE SHOCK CORDS MAY SEPARATE DURING FLIGHT.

## STEP 3

**A.** Use a sharp hobby knife to cut a shallow "V" slot in the Blue Thrust Ring as shown. Test fit the Blue Thrust Ring into one end of the Yellow Motor Mount Tube. If the fit is tight, sand the outside of the Blue Thrust Ring until you get a looser fit.

**B.** Tie the Yellow Kevlar Shock Cord onto the Blue Thrust Ring using two overhand knots as shown. Be sure the shock cord lays in the "V" you made in the Blue Thrust Ring.

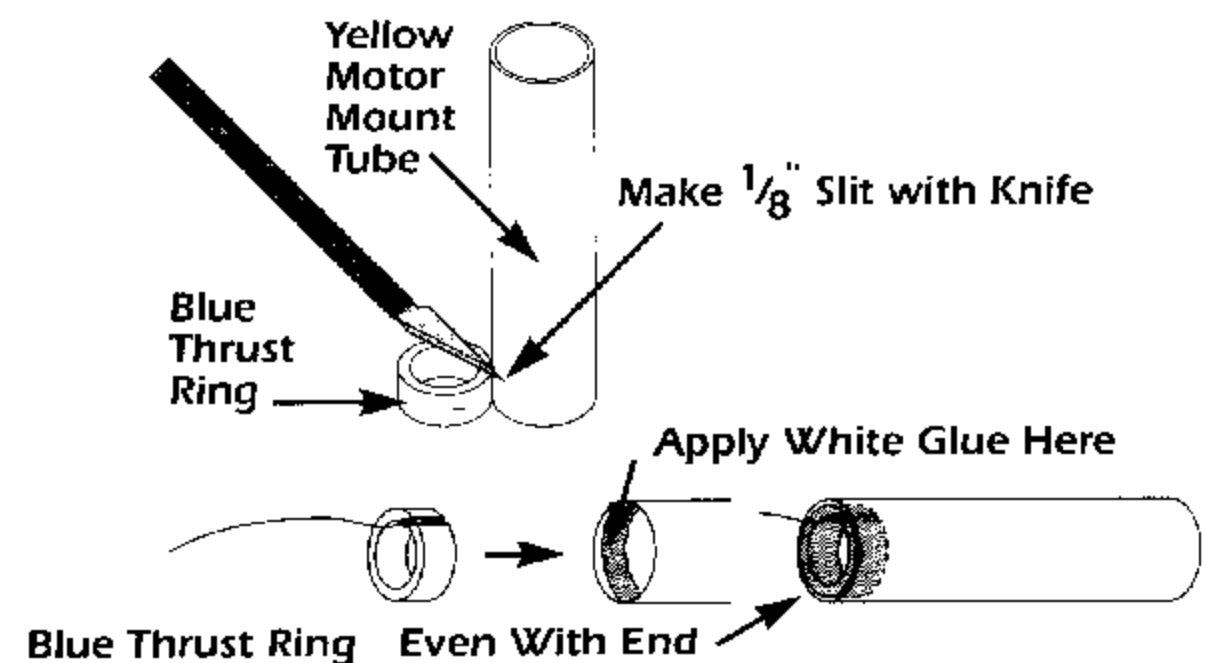


## STEP 4

**A.** Place the Blue Thrust Ring up against the side of the Yellow Motor Mount Tube and use it as a guide to cut a 1/8 inch long slit in the side of the Yellow Motor Mount Tube as shown.

**B.** Apply white glue around the inside edge of the Yellow Motor Mount Tube as shown.

**C.** Insert the Blue Thrust Ring into the Yellow Motor Mount Tube with the Yellow Kevlar and knot facing as shown until it is even with the end of the Yellow Motor Mount Tube.

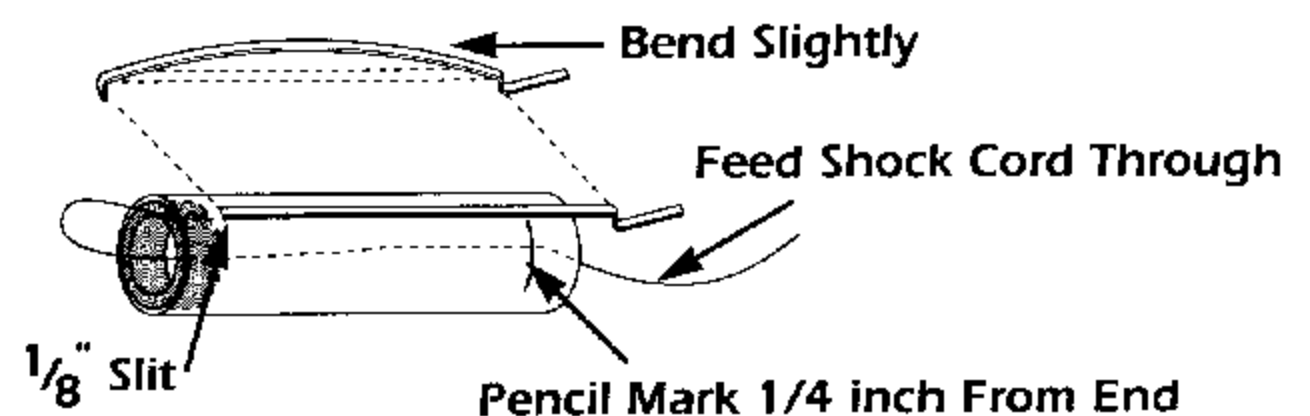


## STEP 5

**A.** Using the ruler on the front of the instruction sheet, make a pencil mark 1/4 inch from the end of the Yellow Motor Mount Tube as shown.

**B.** "Feed" the shock cord back through the Yellow Motor Mount as shown.

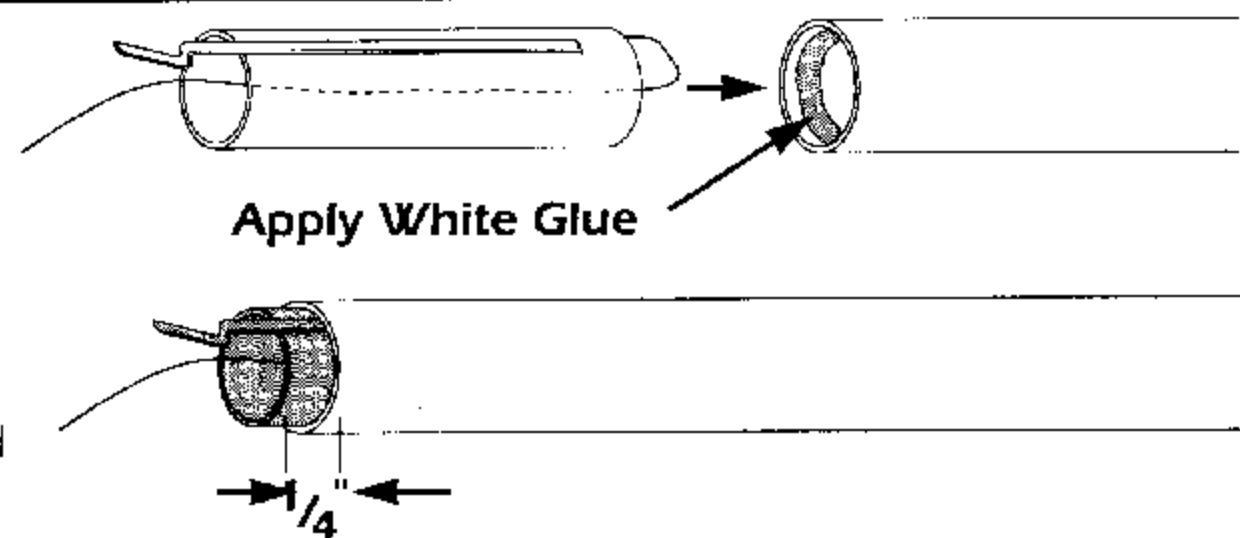
**C.** Make a slight bend in the motor clip as shown. Insert the clip into the slot you made in the Yellow Motor Mount Tube.



## STEP 6

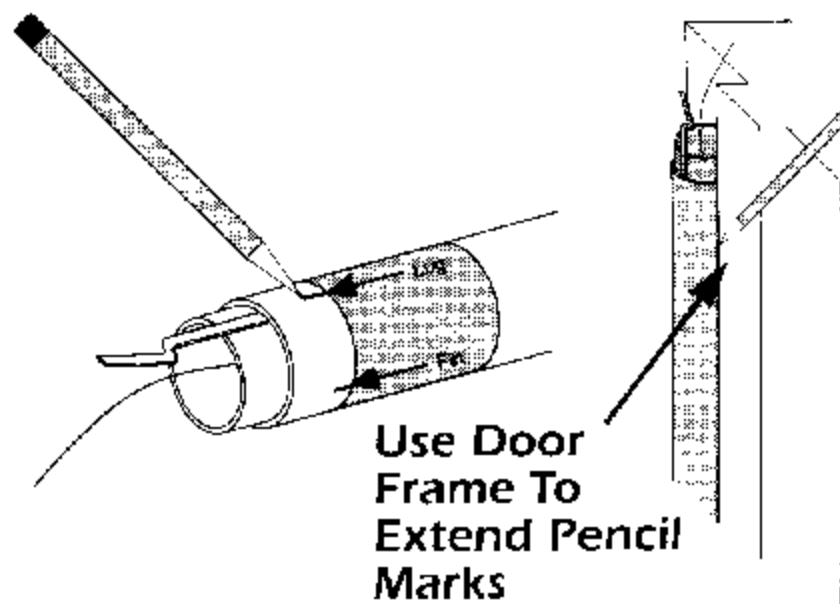
**A.** Apply white glue around the inside of one end of the White Body Tube.

**B.** Orient the Yellow Motor Mount tube as shown and immediately insert it into the White Body Tube and PUSH INTO THE BODY TUBE WITH ONE FAST & SMOOTH MOTION up to the 1/4 inch pencil mark on the Yellow Motor Mount Tube as shown.



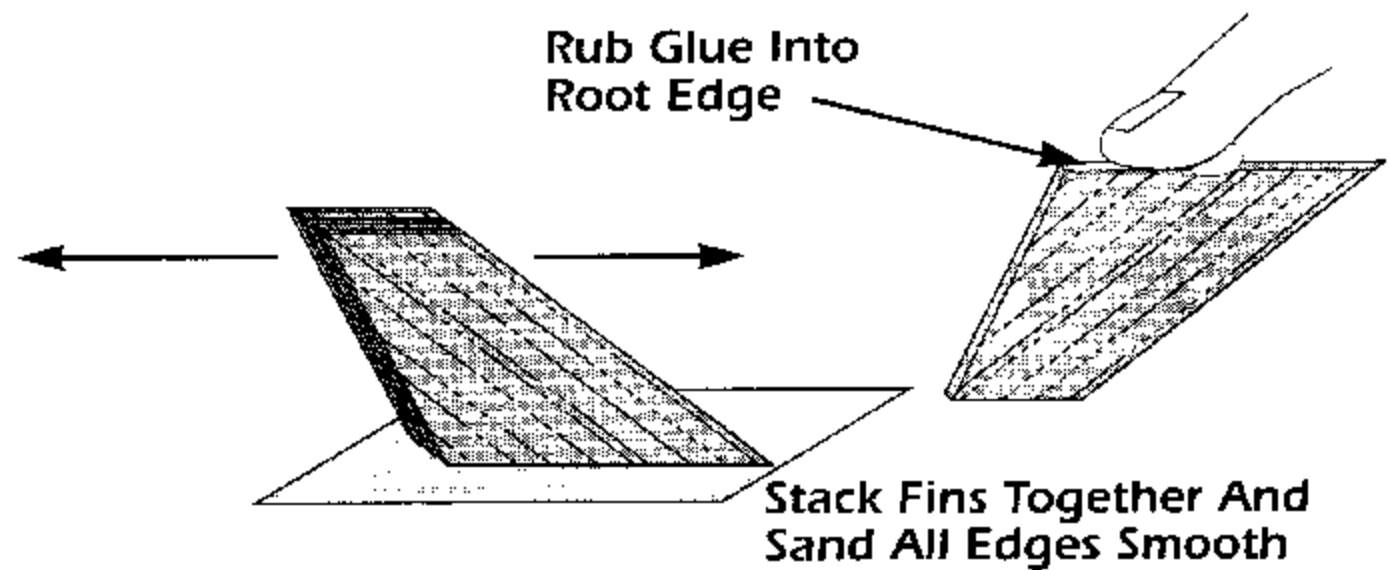
## STEP 7

- Cut out the tube marking guide from the front page of the instruction sheet.
- Wrap the tube marking guide around the body tube. Align the arrow that is marked "Launch Lug" with the motor clip. Mark the body tube at each of the arrows with a pencil.
- Use a door frame as a guide and extend each of the pencil marks 3 inches up from the rear of the body tube.



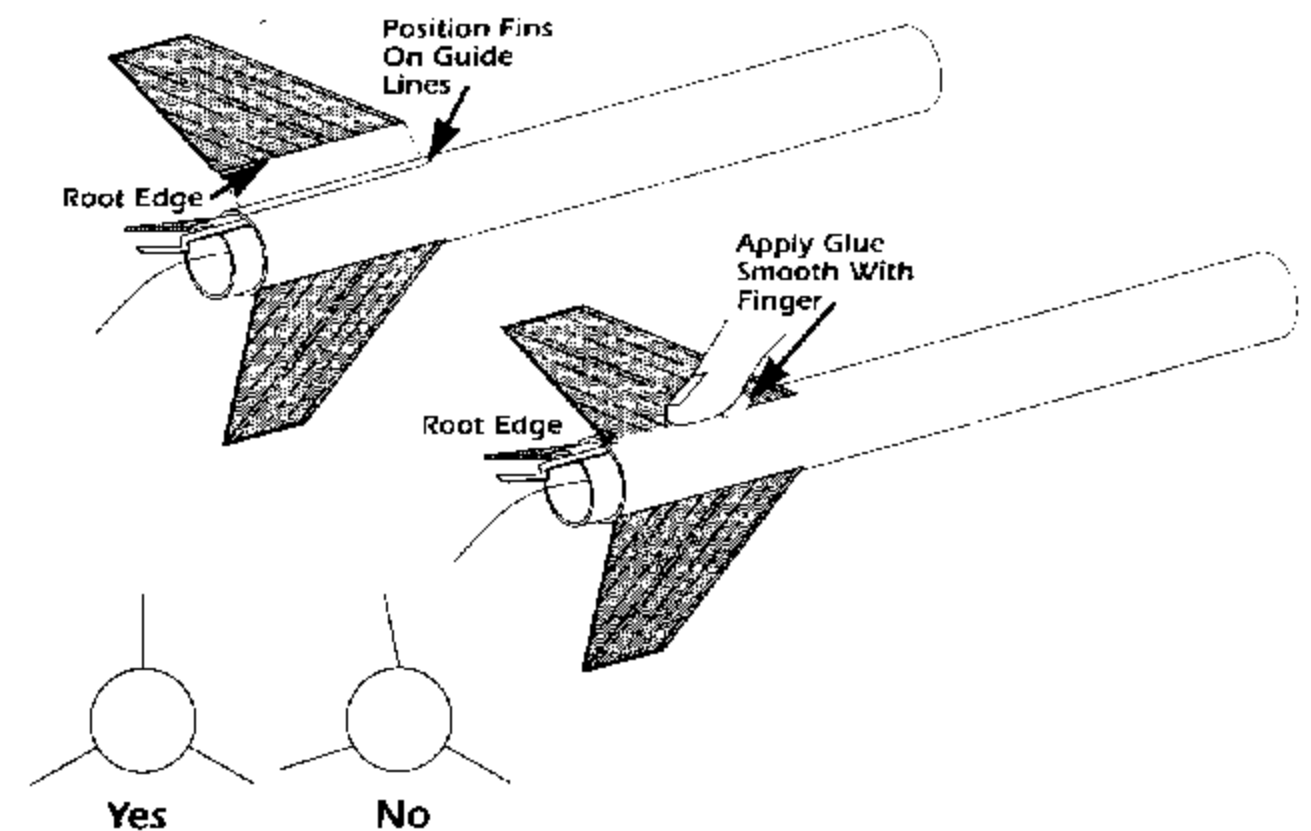
## STEP 8

- Carefully remove each of the three die-cut balsa fins from the sheet with a sharp hobby knife.
- Stack the fins together and sand all edges smooth.
- Rub a small line of white glue into the root edge of each fin and set aside to dry.



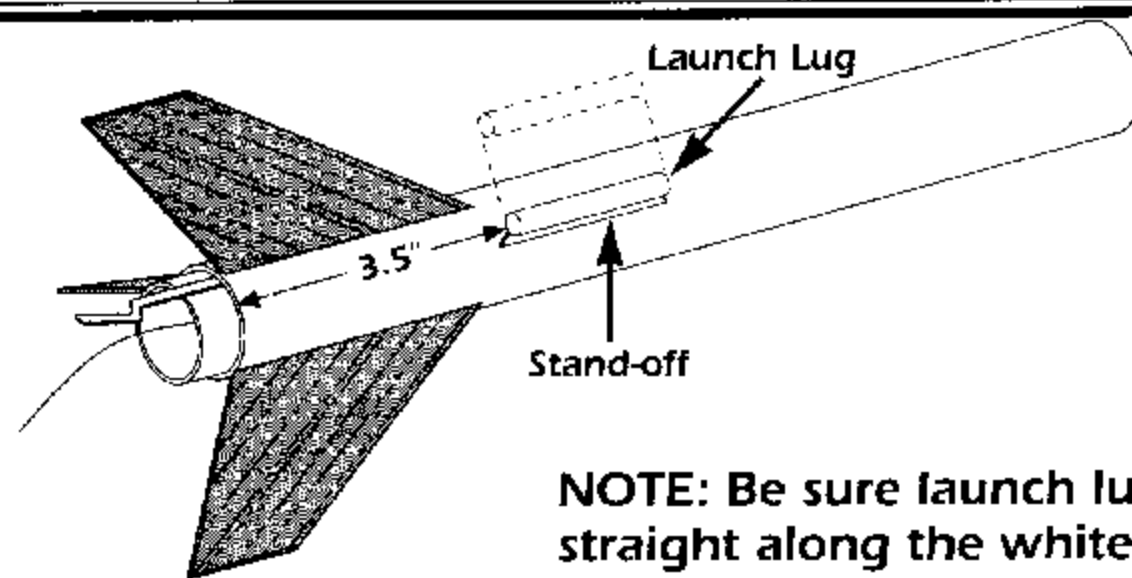
## STEP 9

- Apply a small line of white glue along the root edge of a fin and position it along one of the fin lines on the body tube. Adjust the fin so that it projects straight away from the body tube as shown. Allow the glue to set for a few minutes before attempting to glue on the remaining fins. Repeat this step for the remaining two fins.
- After the glue is completely dry apply a small bead of white glue to both sides of a fin-body tube joint. Smooth out the glue with your finger. Wipe excess glue off your finger onto a tissue or paper towel.
- Repeat the above step for the remaining fin-body tube joints. Set aside to dry.



## STEP 10

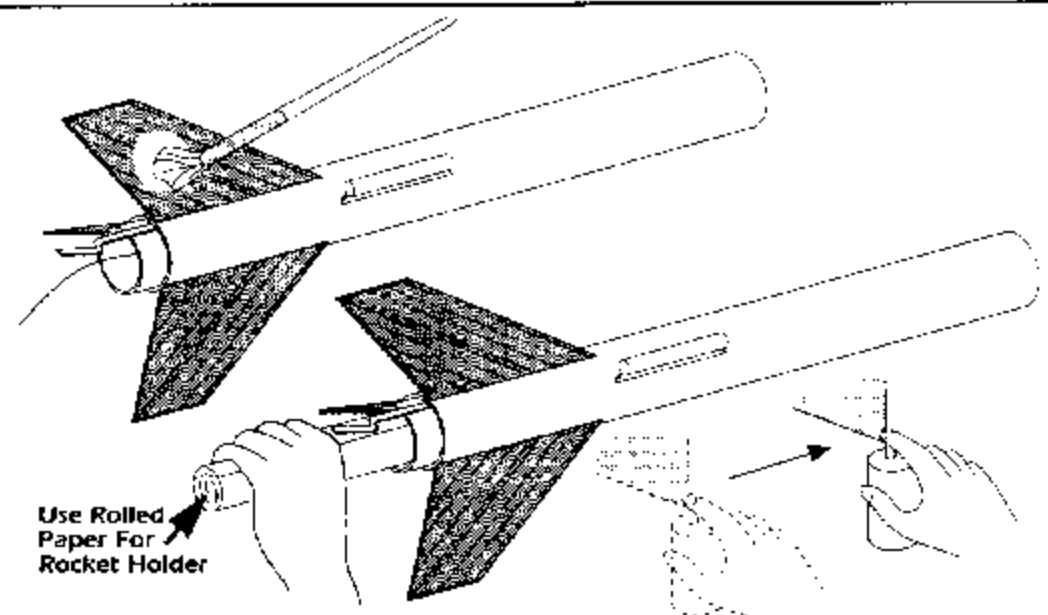
- Make a pencil mark on the launch lug line 3.5 inches from the rear of the rocket as shown.
- Apply white glue to the launch lug stand-off and place along the pencil line with one end even with the mark 3.5 inches from the rear of the rocket as shown.
- Apply white glue to the launch lug and place it along the outer edge of the stand-off as shown.



**NOTE: Be sure launch lug is lined up straight along the white body tube**

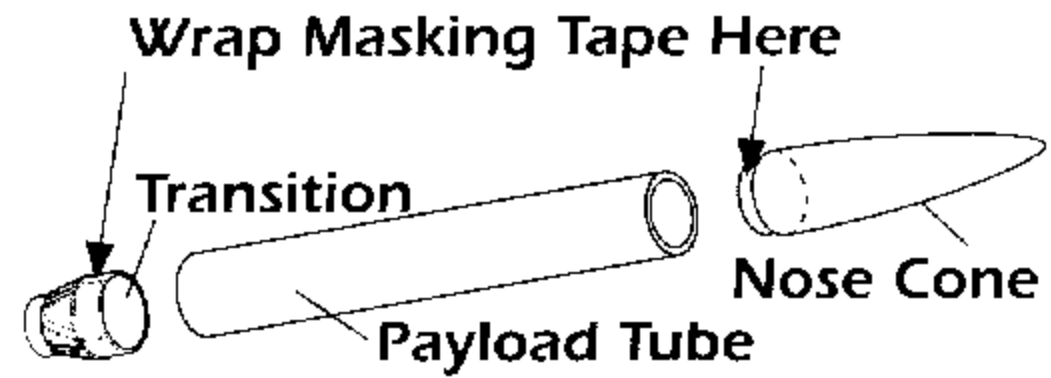
## STEP 11

- After all the glue is completely dry apply a coat of sanding sealer to each fin. When sealer is dry, lightly sand each fin.
- Repeat the sealing and sanding process until the surface of each fin is smooth.
- Paint the entire rocket body and fins with gloss red spray enamel. Follow instructions on the spray can for best results.



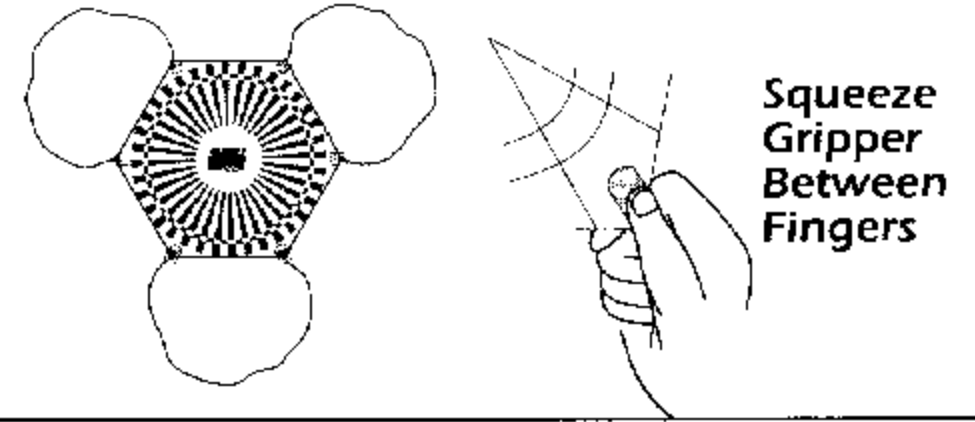
## STEP 12

- A. Wrap a piece of paper masking tape around the shoulder of the nose cone and the payload transition.
- B. Slide the red tinted payload tube onto the transition and nose cone.



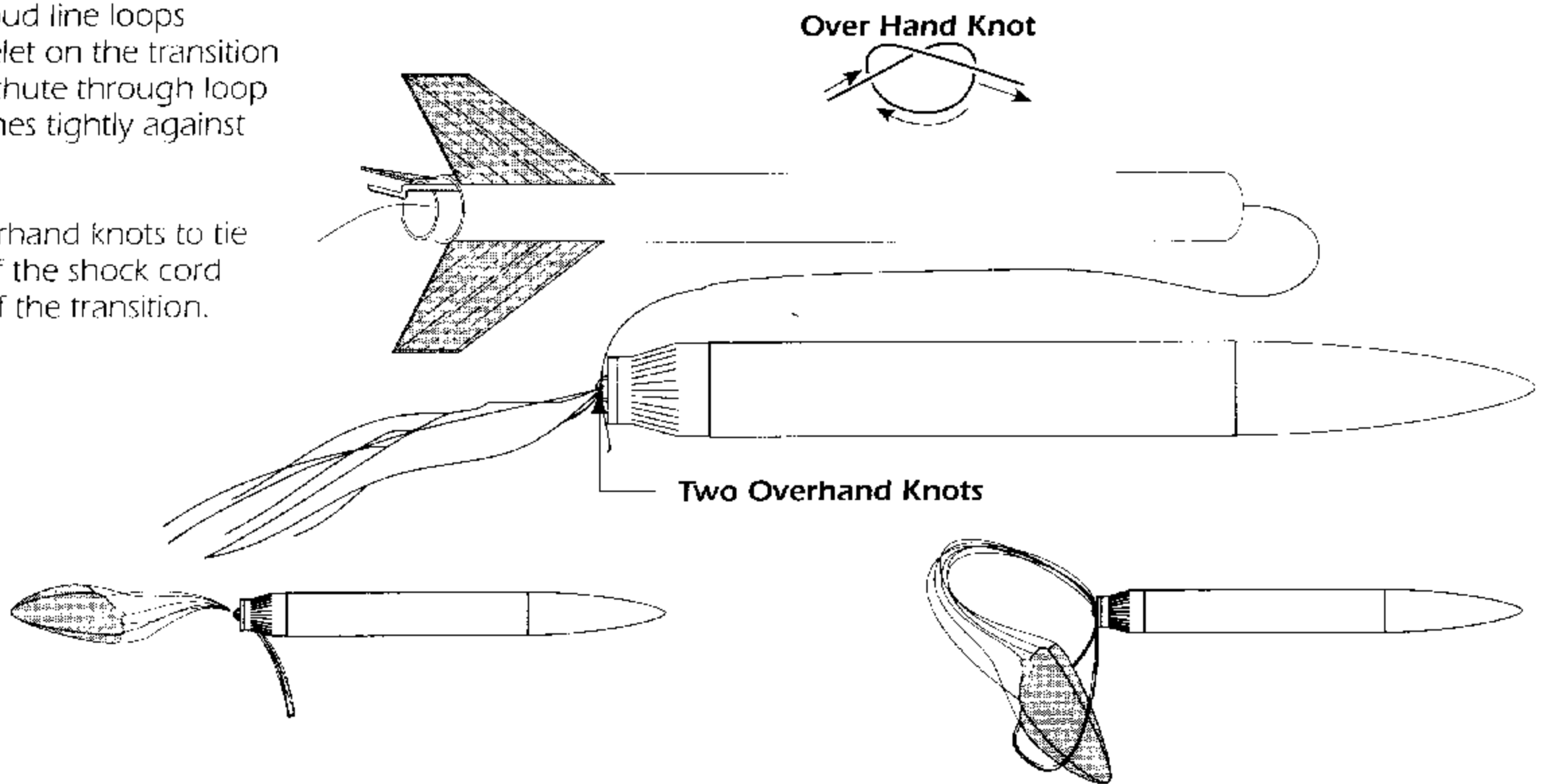
## STEP 13

- A. Assemble the parachute according to the instructions printed on it.
- B. Firmly squeeze each gripper tab and parachute between your fingers.



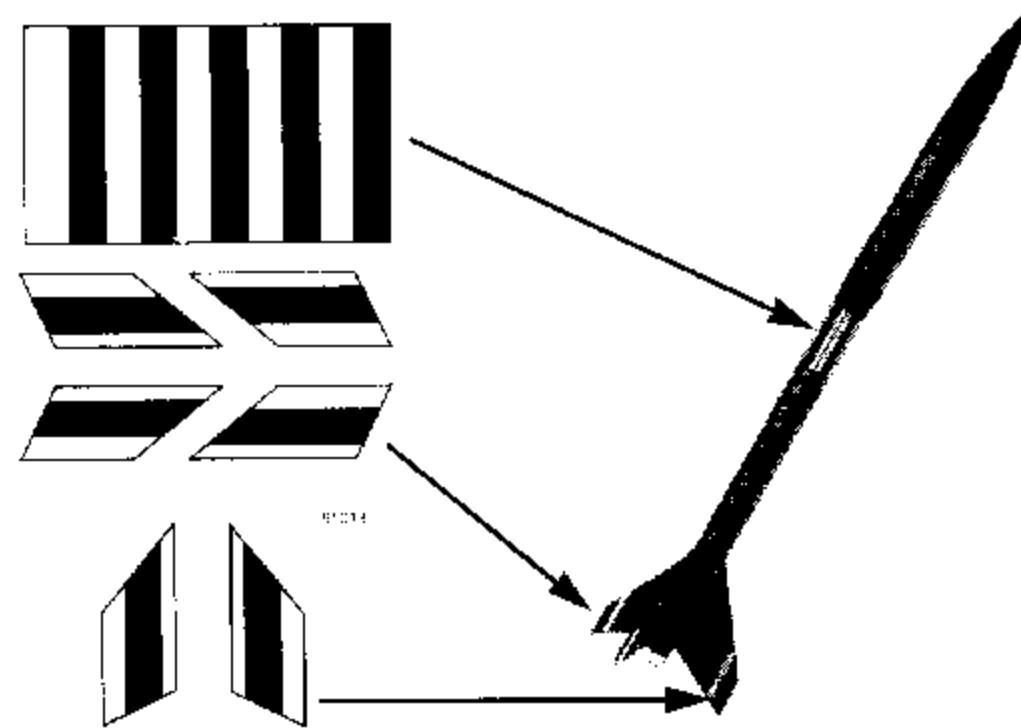
## STEP 14

- A. Pass the shroud line loops through the eyelet on the transition base. Pass parachute through loop ends and pull lines tightly against the eyelet.
- B. Use two overhand knots to tie the loose end of the shock cord onto the base of the transition.



## STEP 15

- A. Apply the self-adhesive decals to your rocket as shown here.
- NOTE: Use caution when removing the decal from the backing to prevent decal from curling over onto itself.



**READ AND FOLLOW THE ENCLOSED  
LAUNCHING PROCEDURE SHEET**