

Started 5-25-98  
Finished 5-26-98



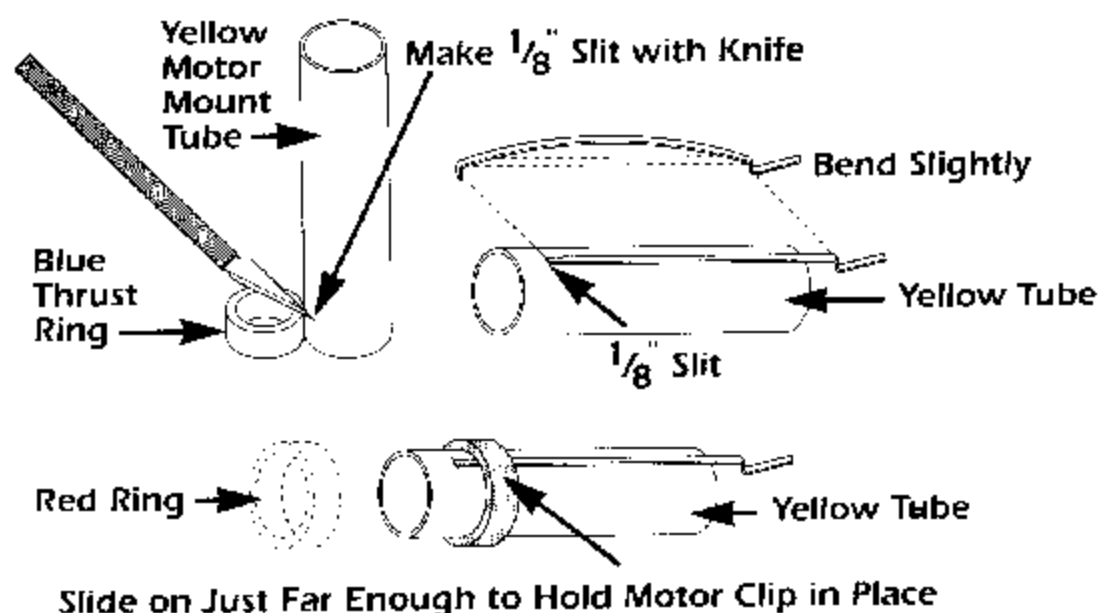
(Prod. No. 5502)

# SX-25 STAGING MODULE™ ASSEMBLY INSTRUCTIONS

This payload module is intended for use with the QUEST RX-25 Rocket Module Prod. No. 5500.

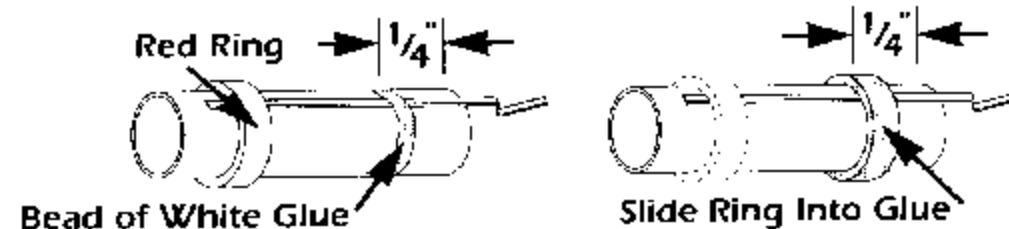
## STEP 1

- A. Place the Blue Thrust Ring up against the side of the Yellow Motor Mount Tube and use it as a guide to make a small 1/8 inch long slit in the side of the Yellow Motor Mount Tube as shown.
- B. Make a slight bend in the Motor Clip as shown. Insert the Motor Clip into the slit you made in the Yellow Motor Mount Tube.
- C. Slide one of the Red Centering Rings onto the Yellow tube just far enough to hold the motor clip in place.



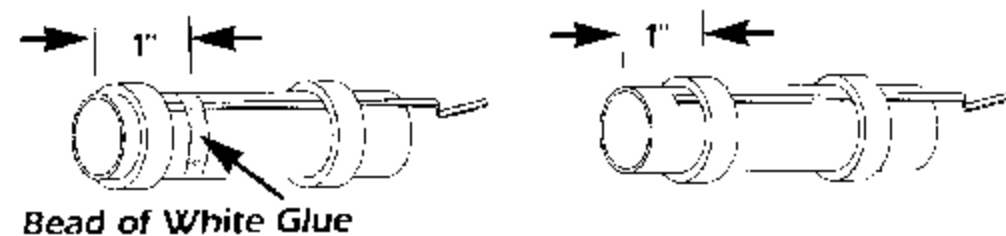
## STEP 2

- A. Apply a bead of white glue around the Yellow Motor Mount Tube 1/4 inch from the aft (rear) end as shown.
- B. Slide the Red Ring into the bead of glue. Wipe away any excess glue.



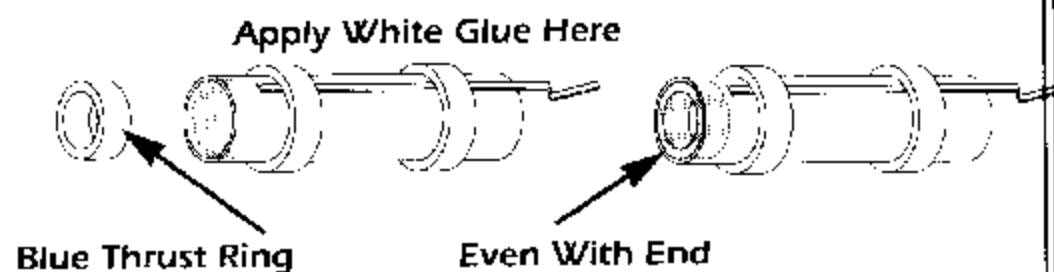
## STEP 3

- A. Slide the remaining Red Ring just onto the end of the Yellow Tube.
- B. Apply a bead of white glue around the Yellow Motor Mount Tube 1 inch from the forward end as shown.
- C. Slide the Red Ring into the bead of glue. Wipe away any excess glue.



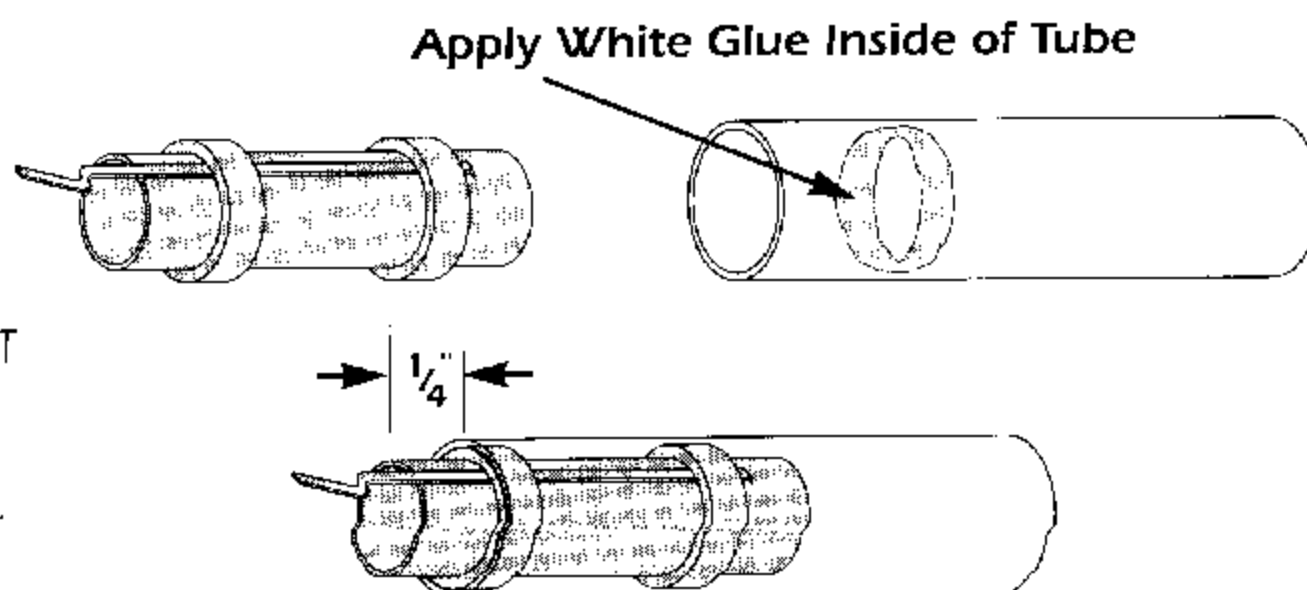
## STEP 4

- A. Apply white glue around inside edge of Yellow Motor Mount Tube as shown.
- B. Insert the Blue Thrust Ring into the Yellow Motor Mount Tube so it is even with the end of the Yellow Motor Mount Tube.



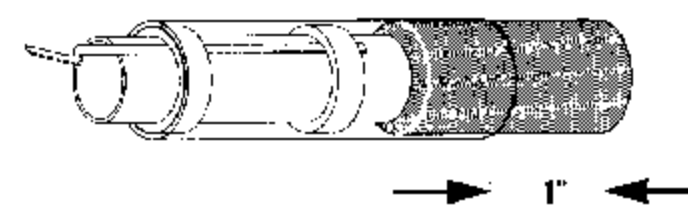
## STEP 5

- A. Apply white glue around inside of 3 inch booster tube as shown.
- B. Immediately insert the motor mount assembly and PUSH IT IN WITH ONE FAST & SMOOTH MOTION until red ring is even with the end of the tube. The Yellow Motor Mount Tube should extend 1/4 inch beyond the end of the tube.



## STEP 6

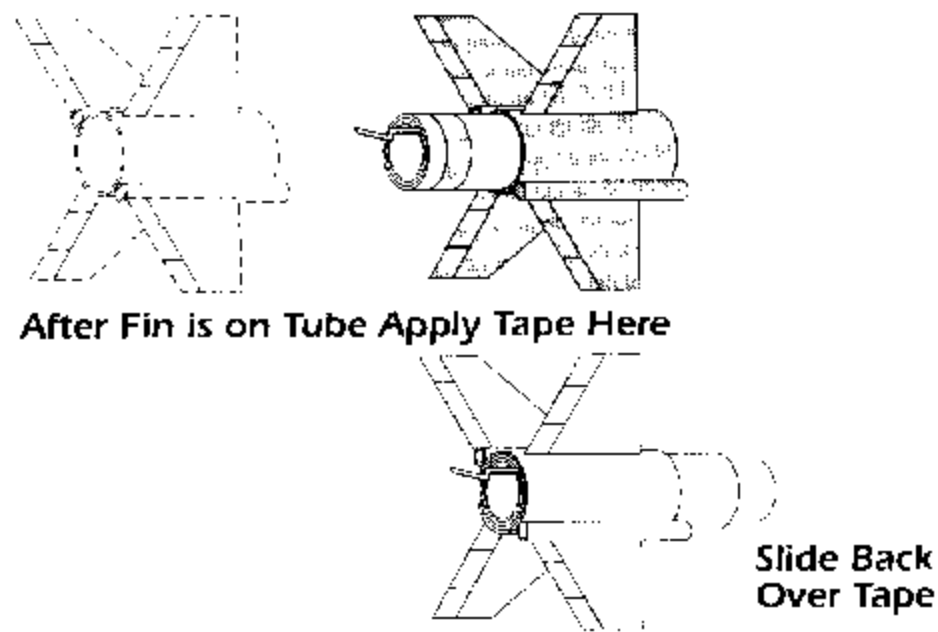
- Make a pencil mark 1 inch from the end of the black tube coupler.
- Apply white glue around the forward inside edge of the booster tube.
- Insert the black tube coupler into the tube up to the 1 inch pencil mark.



## STEP 7

- Slide the One-Piece Molded Plastic Fin Unit onto the booster tube as shown.
- Slide the fin unit forward and wrap a 2 inch piece of scotch magic tape or a 1 inch piece of masking tape around the outside end of the body tube.
- Use a slight twisting motion to slide the fin unit back over the tape and even with the end of the White body Tube.

**NOTE: Fin Unit must fit snugly and should be difficult to move once it is in place. Add or remove tape to get the correct fit.**



# FLYING YOUR EXPLORER / SX-25 ROCKET

## STEP 1

- Test fit the booster into the RX-25 upper stage. **THE BOOSTER MUST FIT LOOSELY INTO UPPER STAGE OR THE STAGES WILL NOT SEPARATE CORRECTLY.** The fit is correct if you can hold the upper stage with the booster attached and "shake" the rocket and have the booster fall off.

\* If fit is too tight, sand the black stage coupler.

\* If fit is too loose, apply a small piece of magic tape to the coupler.

## STEP 2

- Insert the upper stage motor into the RX-25 rocket. **DO NOT INSERT AN IGNITER.** Leave rocket motor nozzle clear.
- Slide the booster stage onto the rocket.
- Insert a B6-0 or C6-0 BOOSTER Type motor into the booster. Install a TigerTail igniter according the instructions on the Launch Procedures Sheet.

## FLYING TIPS:

Always re-check booster stage fit after each flight. Fit can be loosened by inserting the booster stage and twisting it back and forth a few times. If there is a large build-up of motor exhaust residue inside the upper stage body tube, curl a piece of sandpaper and lightly sand the inside of the tube.

**READ AND FOLLOW THE ENCLOSED LAUNCHING PROCEDURES SHEET**

**READ AND FOLLOW THE N.A.R. SAFETY CODE DURING ALL YOU MODEL ROCKETRY ACTIVITIES.**



### IRONCLAD GUARANTEE

If for any reason, you are not totally satisfied with our product, QUEST will provide whatever you think is fair, from refund to replacement.



Manufactured by:  
QUEST AEROSPACE  
EDUCATION, INC.  
P.O. Box 42390  
Phoenix, AZ 85080-2390